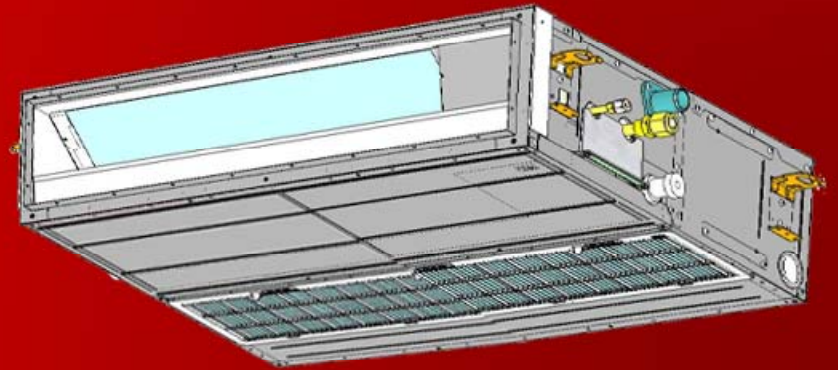


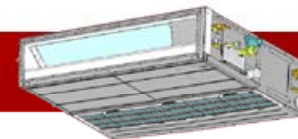
NEW SLIM DUCT
SUPER MMS / HRM



MMD AP xxx 1SPH SERIES

PRELIMINARY

TOSHIBA



New Slim Duct range

SMMS Indoor Unit Line-up

MMD-AP0071SPH

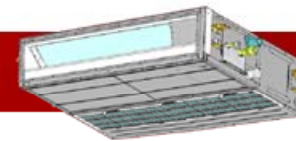
MMD-AP0091SPH

MMD-AP0121SPH

MMD-AP0151SPH

MMD-AP0181SPH

PRELIMINARY

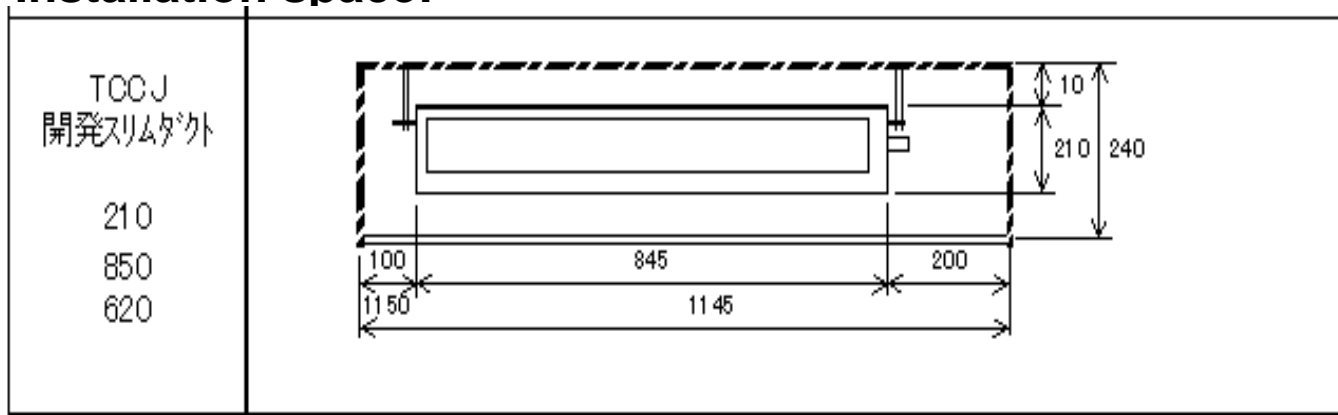


New Slim Duct range

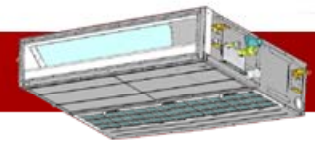
Specifications:

Capacity	HP	0,8	1,0	1,25	1,7	2,0	
	BTU	007 type	009 type	012 type	015 type	018 type	
	Cooling	k ^W	2,2	2,8	3,6	4,5	5,6
	Heating	k ^W	2,5	3,2	4,0	5,0	6,3
External Static Pressure	Pa	49-10 (factory setting 10) 4steps(10-20-35-49)					
Air Flow	m ³ /min	9		10,5	11,5	13	
Dimensions (H*W*B)	mm	210*845*645					
Weight	kg	24			26		

Installation space:



PRELIMINARY



New Slim Duct range

Dimensions:

		Height(mm)	Width(mm)	Depth(mm)
Slimduct	0071-0181	210	845	645

Sound levels:

Capacity	BTU	7	9	12	15	18
Rear suction	dB(A)	32/28		33/29	33/29	34/30
Bottom suction	dB(A)	36/32		38/33	39/34	40/36

Others:

- Drain pump (850mm lift) is equipped as standard
- Suction filter is equipped as standard (it may not be attached with the product shipped in June/July. We will ship the filters from TCCJ separately or we expect local procurement for this product)
- No accessory parts for this product

PRELIMINARY