

### 7-4-3. Address Setup Procedure

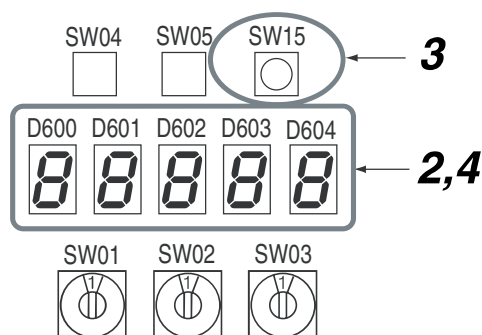
No or single central controller: go to Address setting procedure 1  
 Central control of 2 or more refrigerant lines: go to Address setting procedure 2

(Example)	When controlling a single refrigerant line centrally	When controlling 2 or more refrigerant lines centrally
Address setting procedure	To procedure 1	To procedure 2
System wiring diagram		

#### Address setting procedure 1

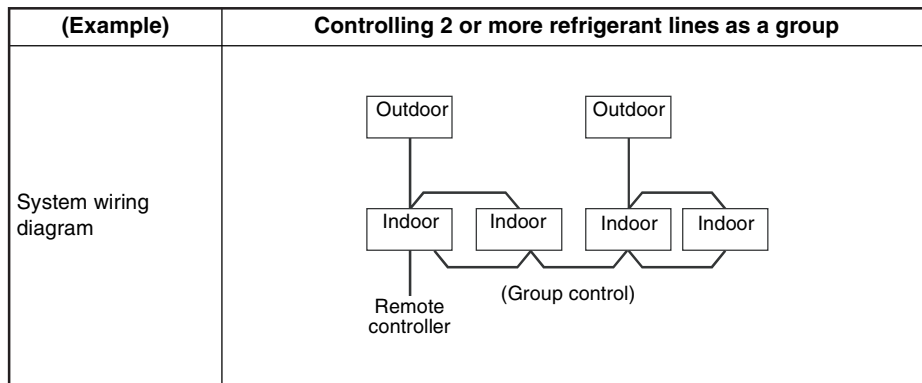
- 1** Turn on indoor units first, and then turn on outdoor units.
- 2** About one minute after turning the power on, confirm that the 7-segment display on the interface P.C. board of the header outdoor unit indicates **U. 1. L08 (U. 1. flash)**.
- 3** Push SW 15 to start the automatic address setting.  
 (It may take up to 10 minutes (normally about 5 minutes) to complete one line's setting.)
- 4** The 7-segment display indicates **Auto 1 Auto 2 Auto 3**.  
 After the indication, **U. 1. - - - (U. 1. flash)** starts flashing on the display.  
 When the flashing stops and **U. 1. - - - (U. 1. light)** remain lit on the display, the setting is complete.

#### Interface P.C. board on the header outdoor unit



#### REQUIREMENT

- When 2 or more refrigerant lines are controlled as a group, be sure to turn on all the indoor units in the group before setting addresses.
- If you set the unit addresses of each line separately, each line's header indoor unit is set separately. In that case, the CODE No. "L03" (Indoor header unit overlap) is indicated as running starts. Change the group address to make one unit the header unit using wired remote controller.



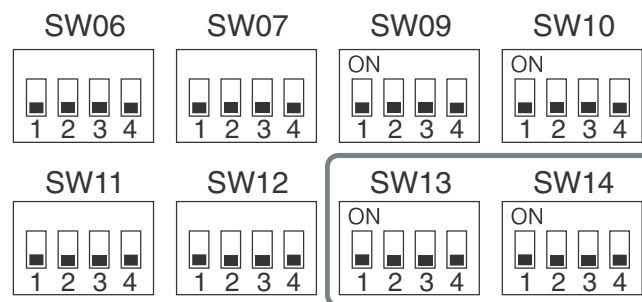
## Address setting procedure 2

- 1 Set a system address for each system using SW 13 and 14 on the interface P.C. board on the header outdoor unit of each system.  
(Factory default: Address 1)

### NOTE

Be sure to set a unique address on each system. Do not use a same address as another system (refrigerant line) or DI/SDI series.

### Interface P.C. board on the header outdoor unit

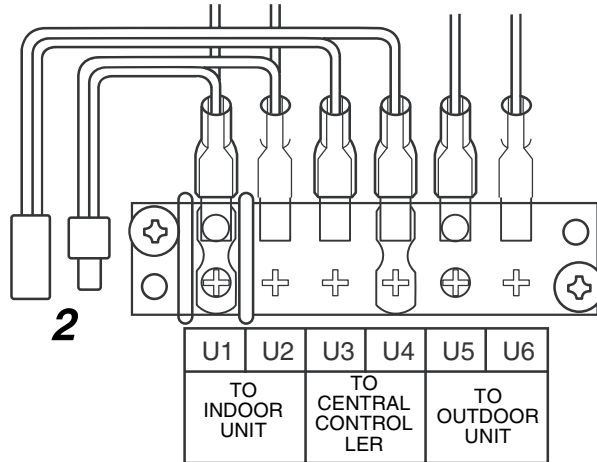


Line address switches on the outdoor interface PC board (O : switch on, X : switch off)

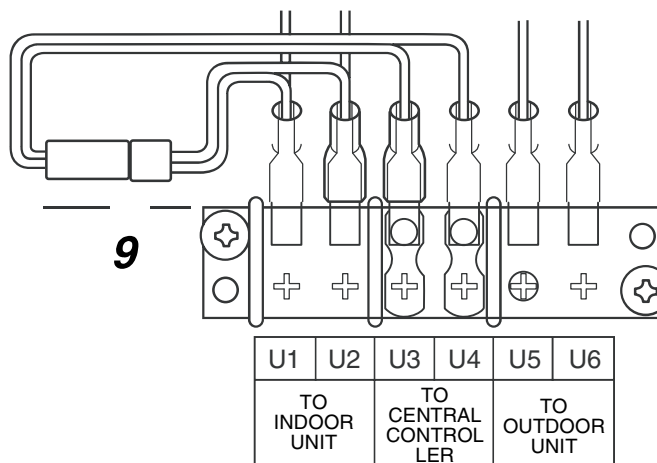
Line address	SW13				SW14			
	1	2	3	4	1	2	3	4
1				x	x	x	x	x
2				x	o	x	x	x
3				x	x	o	x	x
4				x	o	o	x	x
5				x	x	x	o	x
6				x	o	x	o	x
7				x	x	o	o	x
8				x	o	o	o	x
9				x	x	x	x	o
10				x	o	x	x	o
11				x	x	o	x	o
12				x	o	o	x	o
13				x	x	x	o	o
14				x	o	x	o	o
15				x	x	o	o	o
16				x	o	o	o	o
17				o	x	x	x	x
18				o	o	x	x	x
19				o	x	o	x	x
20				o	o	o	x	x
21				o	x	x	o	x
22				o	o	x	o	x
23				o	x	o	o	x
24				o	o	o	o	x
25				o	x	x	x	o
26				o	o	x	x	o
27				o	x	o	x	o
28				o	o	o	x	o

Not used for setup of line address (do not change setup.)

- 2** Be sure to disconnect the relay connectors between the [U1U2] and [U3U4] terminals on all the header outdoor units that will be connected to the central control. (Factory default: disconnected)



- 3** Turn on indoor units first, and then turn on outdoor units.
- 4** About 1 minute after turning the power on, confirm that the 7-segment display on the interface P.C. board of the header outdoor unit indicates **U. 1. L08 (U. 1. flash)**.
- 5** Push SW 15 to start the automatic address setting.  
(It may take up to 10 minutes (normally about 5 minutes) to complete one line's setting.)
- 6** The 7-segment display indicates **Auto 1 Auto 2 Auto 3**.  
After the indication, **U. 1. - - - (U. 1. flash)** starts flashing on the display.  
When the flashing stops and **U. 1. - - - (U. 1. light)**, remains lit on the display, the setting is complete.
- 7** Repeat steps 4 to 6 for other refrigerant lines.
- 8** After completing address setting of all systems, turn off dip switch 2 of SW30 on the interface P.C. boards of all the header outdoor units connected to the same central control, except the unit that has the lowest address.  
(For unifying the termination of the wiring for the central control of indoor and outdoor units)
- 9** Connect the relay connectors between the [U1, U2] and [U3, U4] terminals of the header outdoor unit of each refrigerant line.



## 10 Set the central control address.

(For the setting of the central control address, refer to the installation manuals of the central control devices or “Manual address setup from the remote controller” in the next to the following page and after.

### Header unit interface P.C. board

