

# TOSHIBA



## RESIDENTIAL PRODUCT SPECIFICATION



ENERGY EFFICIENT



CARBON NEUTRAL



INNOVATIVE



CUSTOMER CENTRIC

## > COMMITMENT TO BETTER AIR SOLUTIONS

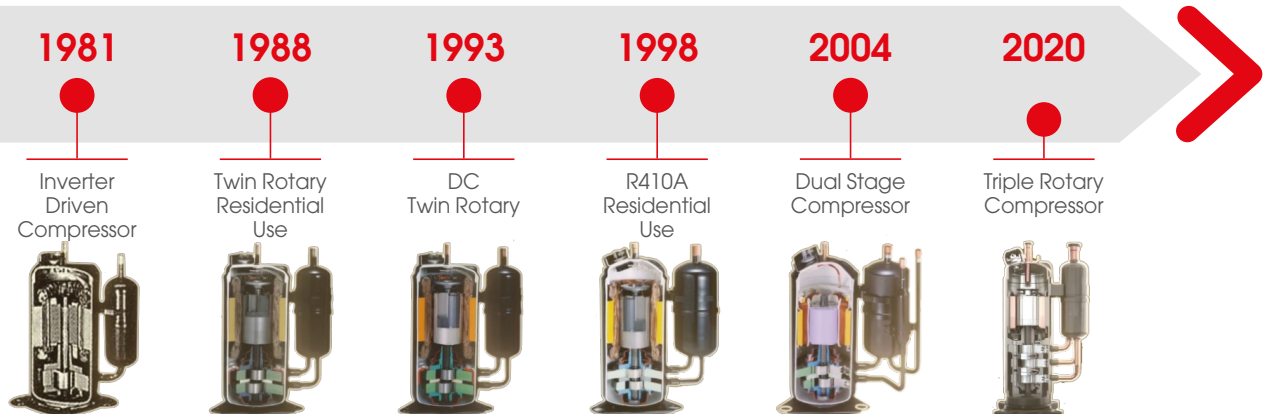


Toshiba Air Conditioning supports Carrier's 2030 Environmental, Social, and Governance (ESG) goals, including the goal to reduce its customers' carbon footprint by more than 1 gigaton. We help to address climate change by going further than just products and beyond their basic functions, to create reliable and safe solutions that can interact with each other and with users. With the forward-thinking solutions by Toshiba Air Conditioning, we help deliver healthy, safe and productive indoor environments.

## > CHOOSE THE EXPERT OF INSPIRED TECHNOLOGIES

Since Toshiba Air Conditioning developed and mass-produced the world's-first inverter split air conditioners for commercial and residential applications in 1980 and 1981, which is a historically significant milestone recognized by the Institute of Electrical and Electronics Engineers (IEEE), inverter technology has been widely used throughout the world to deliver comfort with high energy efficiency.

Inverter technology enables the unit to continuously regulate its cooling and heating capacity by altering the speed of the compressor using a variable-frequency drive to control the speed of the motor. This innovation helps generate outstanding comfort and efficiency levels.



Our commitment to world-class **efficiency**, versatile **scalability** and leading **quality** means we create cutting-edge technologies to find the most forward-thinking solutions possible for your world. Toshiba Air Conditioning is an innovative provider of comprehensive air conditioning solutions with world-class reliability.

### > Top-class energy efficiency

- High volume triple rotary compressor
- Twin rotary compressors
- All climates from -30°C (DAISEIKAI™ 9) to 54°C (MiNi SMMS-e Middle East range)
- Top class A+++ air to water heating solutions with ESTIA™ R32
- Refrigerants with lower environmental impact
- Optimal temperature control solutions with precision

### > Scalable solutions

Toshiba Air Conditioning develops cutting-edge technologies that benefit people by offering the ideal combination of comfort and products that help to protect the environment for residential, light commercial and large building applications.

### > Superior manufacturing quality

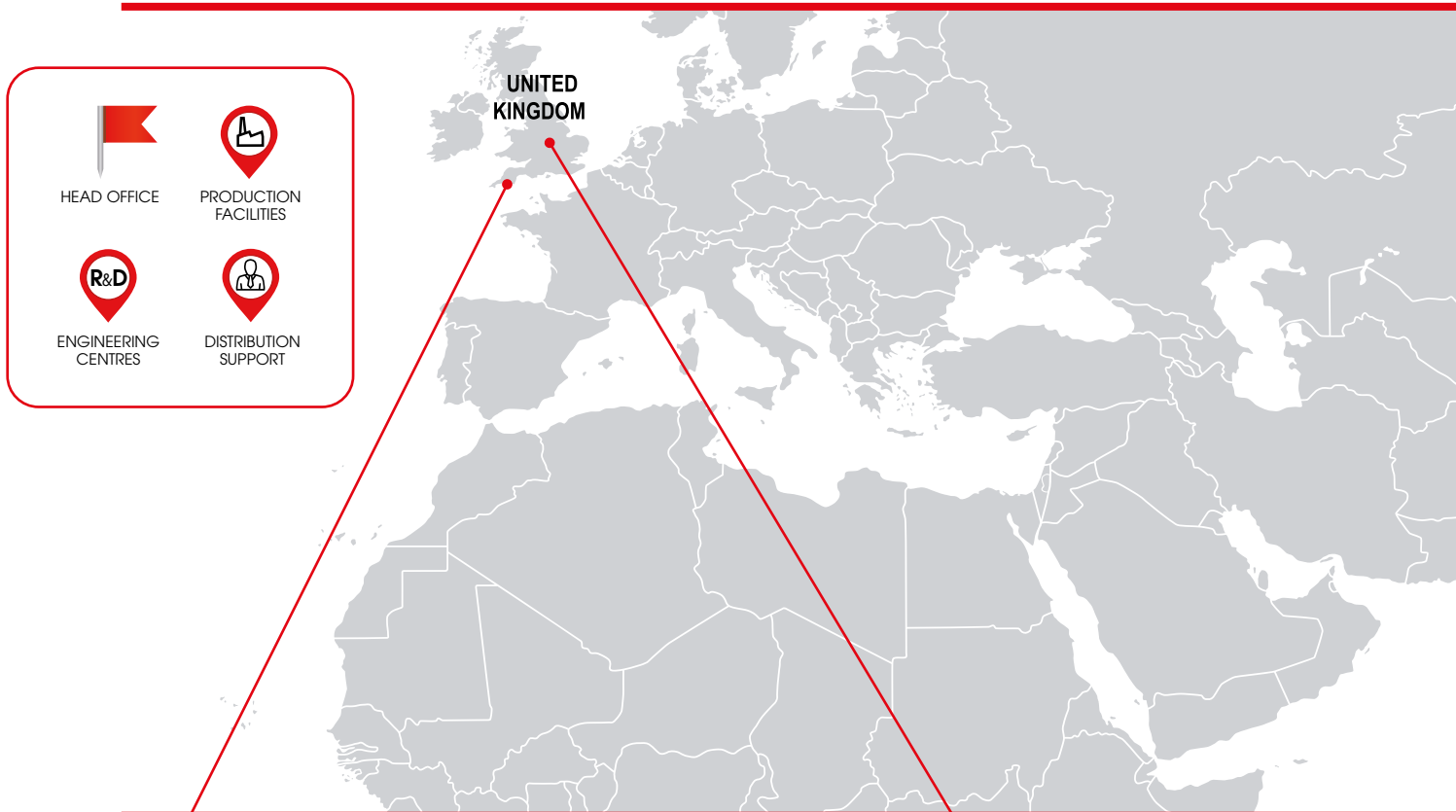
Toshiba Air Conditioning's innovations provide comprehensive building air conditioning solutions which have been subject to strict evaluation testing to offer world-class reliability.

Third party institute certifications for quality, safety and performance, guaranteed (TÜV, Eurovent, WEEE, RoHS, REACH, Intertek, Keymark).



# > TAILORED TO MEET CHALLENGES

Toshiba Air Conditioning, with heat pump technology at its core, contributes to people's well-being while respecting the environment. For decades, Toshiba Air Conditioning has been receiving prestigious awards for its significant achievements in air conditioning. This demonstrates the innovative spirit of Toshiba Air Conditioning, a relentless drive to improve its products and systems.



- HEAD OFFICE
- PRODUCTION FACILITIES
- ENGINEERING CENTRES
- DISTRIBUTION SUPPORT

### PLYMOUTH, UNITED KINGDOM



TCEU - DISTRIBUTION SUPPORT  
and  
TCEU - ENGINEERING CENTRE

### STOCKPORT, UNITED KINGDOM



CSUK  
TRAINING CENTRE OF EXCELLENCE



▶ PATHUMTHANI, THAILAND

CTC - ENGINEERING CENTRE  
and  
CTC - PRODUCTION FACILITIES



▶ HANGZHOU, CHINA

CAC - PRODUCTION FACILITIES



▶ TSUYAMA-CITY, JAPAN

CJC - PRODUCTION FACILITIES



▶ FUJI-CITY, JAPAN

CJC - PRODUCTION FACILITIES  
and  
CJC - ENGINEERING CENTRE



▶ KAWASAKI-CITY, JAPAN

CJC -  
HEAD OFFICE

# > LEADING THE WAY TO EXCELLENCE

## > Products designed and engineered to perform

Toshiba Air Conditioning strengths center on in-house research and development of advanced technologies and core components. Its global research activities are managed and integrated to ensure all research sites collaborate to provide innovative solutions to customers across the world.

## > Forward-thinking technologies to support building decarbonisation

Toshiba Air Conditioning combines technological development with consideration for future generations, resulting in a range of extremely energy-efficient air conditioners, helping to reduce greenhouse gas emissions at their source. Its continuous research into the development of inverter technology has provided remarkable results, both with regards to meeting the required comfort levels and continually reducing the system's energy consumption.



Quality production



Outdoor units production



Indoor units production

## > Entire production process certified by international quality assurance institutes

All products provide high operating efficiency and cooling, as they participate in the Eurovent programme. This acts as a guarantee for customers and users that the products will operate in accordance with the design specifications and that the data published is grounded by evidence.

Toshiba Air Conditioning participates in the Eurovent Certification Performance programme for AC1, AC2 & VRF.

Check ongoing validity of certificate: [www.eurovent-certificate.com](http://www.eurovent-certificate.com)

For Estia certification, refer to Keymark heat pump certification program: [www.heatpumpkeymark.com](http://www.heatpumpkeymark.com)



### > In line with European standards

To improve its environmental responsibility, Toshiba Air Conditioning offers products that meet the following European standards:

#### EN 14511

Air conditioners, liquid chilling packages and heat pumps with electrically driven compressors for space heating and cooling. Test methods.

#### EN 14825

Air conditioners, liquid chilling packages and heat pumps, with electrically driven compressors, for space heating and cooling. Testing and rating with part loads and calculation of seasonal performance.

#### EN 16147

Heat pumps with electrically driven compressors. Testing, performance rating and requirements for marking domestic hot water units.



Japan - Fuji Operations R&D Centre e-THIRD building

# > THE WORLD IS TARGETING ZERO EMISSIONS

Today the process of cooling and heating buildings is not the sole challenge. Global warming is an issue that affects all of us and Toshiba Air Conditioning is prioritizing the decarbonisation of buildings as a top priority.

The R32 based solutions proposed by Toshiba Air Conditioning help achieve this goal, whilst also preserving comfort and cost-effectiveness.

## > A range in line with our goal to reduce our customers' carbon footprint

Toshiba Air Conditioning is offering a complete range of air-to-air products dedicated to cooling and heating in comfort applications. With system solutions from 2 to 67kW, we can address residential, light commercial and business markets requirements.

### **Residential**

HAORI™ is a truly elegant air conditioner, featuring a stylish textile fabric cover that uses Toshiba inverter and compressor technology with R32 refrigerant, offering A+++ performance and year-round comfort.

### **Light commercial**

A full range of Toshiba R32 light commercial systems is available on the European market including a Super Digital Inverter™ with an excellent efficiency.

### **Business**

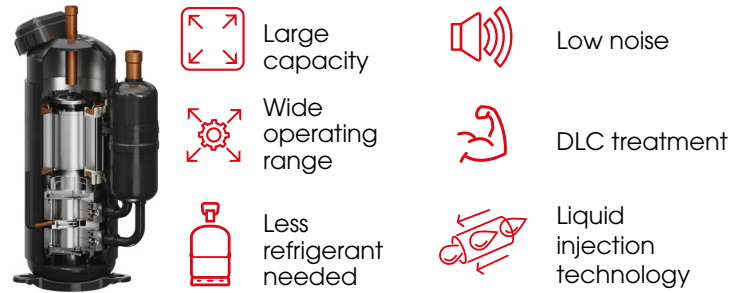
After the switch to low GWP refrigerant for its residential and light commercial products, Toshiba Air Conditioning is now one of the first to launch VRF using R32 refrigerant: The SHRM Advance™ and MiNi-SMMS™ give a new environmental dimension to your projects.





## > The right choice...

The fundamental design and control of Toshiba Air Conditioning systems remains unchanged with the R32 refrigerant. Toshiba Air Conditioning unique combination of twin rotary compressors and all inverter driven control also contributes to guaranteed accuracy and expertise of flawless Japanese quality. All these result in the high level of performance and efficiency our customers are used to.

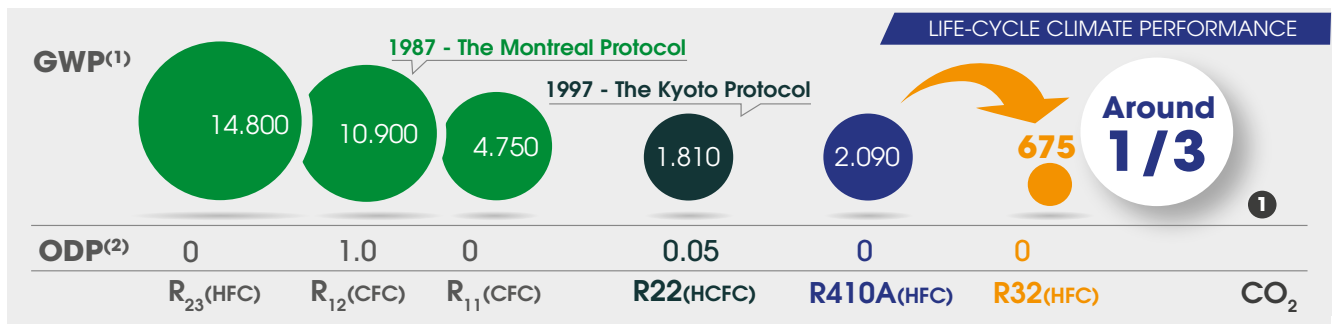


Toshiba Twin rotary compressor with new liquid injection technology, your best ally. Centre piece of the system, the Toshiba super-efficient twin rotary compressor has been engineered to match R32 refrigerant requirements.

## > ...to the benefit of all

### Design to help protect the environment

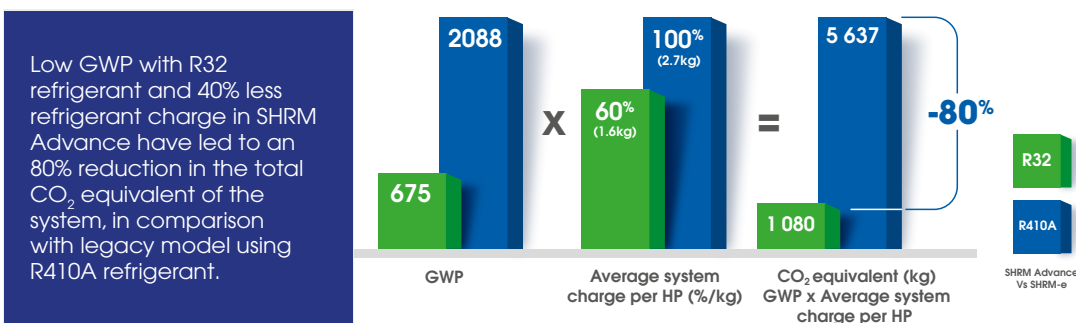
- The right balance between environment safety and your comfort
- Energy efficiency increased for greater savings



<sup>(1)</sup> Global Warming Potential  
<sup>(2)</sup> Ozone Depletion Potential

### Installer friendly

- Working pressures for R410A and R32 refrigerants are similar
- R32 refrigerant can be easily charged in both liquid or gas state
- Safety commissioning instructions are similar to those for R410A
- R32 and R410A equipments is the same except for the refrigerant recovery pump and the reclaim cylinder
- Toshiba flare joints certified ISO14903



## > F-GAS COMPLIANCE

### > TOSHIBA AIR CONDITIONING RESPONDS TO REGULATORY EVOLUTIONS

The European F-gas regulation (517/2014) has been in force since 1 January 2015. It aims to protect the environment by reducing greenhouse gas emissions and progressively deploying new rules related to the use of Hydrofluorocarbons refrigerants (HFCs) in heating and cooling systems. This regulation introduces an ambitious gradual reduction of HFC quantities that are put on the market in the EU by HFC producers and distributors (in equivalent tons of CO<sub>2</sub>), with an initial reduction of 37% from 2018 and a final objective of cutting quantities by 79% by 2030.

This regulation has driven manufacturers to turn to refrigerants with lower Global Warming Potential (GWP) and Toshiba air conditioning is no exception; efforts have been made to pursue lower GWP refrigerant while the reduction of refrigerant charge volume has been explored.



\*HFC consumption compared to equivalent tons of CO<sub>2</sub>

### > Your safety first and foremost

Based on the requirements of the F-gas regulation, only certified installers can carry on Dx system installations. The implementation of systems using HFC requires thus some specific precautions such as a strict control of the leakages and a periodic checking of the refrigerant charge.

For equipment containing			Leak checks without leak detection	Leak checks with leak detection
Between 5 and 50 tonnes CO <sub>2</sub> equivalent	2.38 and 23.8kg R410A	7.41 and 74.1kg R32	Every 12 months	Every 24 months
Between 50 and 500 tonnes CO <sub>2</sub> equivalent	23.8 and 238kg R410A	74.1 and 740kg R32	Every 6 months	Every 12 months
More than 500 tonnes CO <sub>2</sub> equivalent	More than 238kg R410A	More than 740kg R32	Every 3 months	Every 6 months

## ECODESIGN & ENERGY LABELLING

The European 2030 climate and energy framework for improving energy efficiency will have a significant impact on the heating, ventilation and air conditioning sectors.

Today, buildings are responsible for the largest energy consumption, with HVAC systems being the most energy-intensive of all. The HVAC sector is now committed to manufacturing energy-efficient products for its clients to favour sustainable development.

### Ecodesign and Energy Labelling for Air-to-Water heat pumps

Air-to-Water heat pumps have been subject by the Ecodesign (< 400kW) and Energy Labelling (< 70kW) regulations since 26 September 2015. Heat pumps launched before this date are not concerned and all must conform to display the CE mark.

For more information visit [www.ecodesign.toshiba-airconditioning.eu](http://www.ecodesign.toshiba-airconditioning.eu)

### New energy efficiency metric: Seasonal efficiency (SEER and SCOP)

The Seasonal Coefficient of Performance is a new European parameter to rate heat pumps in terms of energy efficiency. It is an update to the Coefficient of Performance, which previously recorded the power consumed to power produced ration in heating and cooling modes for one operating point.

Unlike the EER/COP, the SEER/SCOP takes into account performances during cooler seasons because it indicates temperature variations by including numerous realistic measurement points. When combined, this results in a more accurate energy classification.

#### SEER/SCOP compared to EER/COP

TEMPERATURE		CAPACITY (KW)		AUXILIARY MODES (KWH)		HOURS	
<b>EER</b> <b>COP</b>	<b>SEER</b> <b>SCOP</b>	<b>EER</b> <b>COP</b>	<b>SEER</b> <b>SCOP</b>	<b>EER</b> <b>COP</b>	<b>SEER</b> <b>SCOP</b>	<b>EER</b> <b>COP</b>	<b>SEER</b> <b>SCOP</b>
One temperature requirement	Numerous rating temperatures (range of average temperatures)	Full load	Partial load + Full load	Auxiliary power modes are not considered	Incl. consumption auxiliary modes: - Standby mode - Off mode - Thermostat off, etc.	N/A	Number of hours at each air temperature (in hours)

#### SEASONAL COEFFICIENT OF PERFORMANCE CALCULATION

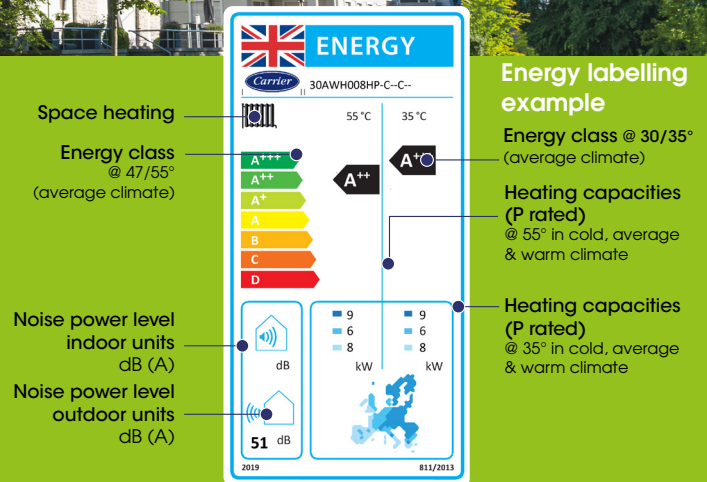
This is the ratio between annual heating/cooling demand and annual energy input over an entire heating/cooling season.

$$\begin{aligned}
 \text{SCOP} &= \frac{\text{ANNUAL HEATING DEMAND}}{\text{ANNUAL ENERGY INPUT}} \\
 \text{SEER} &= \frac{\text{ANNUAL HEATING DEMAND} + \text{ANNUAL COOLING DEMAND}}{\text{ANNUAL ENERGY INPUT}}
 \end{aligned}$$



## ENERGY LABELLING


The Energy Labelling regulation was created to offer end users information about a product's energy efficiency rating. European Energy Labelling regulations also assign ratings from G to A++ based on their energy efficiency, inciting better ratings in the sector and providing clients with clearer information.





## Designed for the future


Toshiba Air Conditioning is committed to designing products and solutions with increasingly lower environmental impacts. This is subsequently reducing indirect CO<sub>2</sub> emissions generated by electricity consumption. Toshiba Air Conditioning long-standing commitment to sustainable development is ahead of schedule for the European climate and energy package requirements for 2030.


All Toshiba Air Conditioning products sold today in Europe are fully compliant with the latest Ecodesign directives.

 Lot 1: Air-to-Water heating systems up to 400kW including air-to-water heat pumps >>> ESTIA™ SPLIT.


 Lot 11: Electric motors from 125W to 500kW including ventilation fans.

 Lot 2: Water heaters and hot water storage tanks. Including tanks >>> ESTIA DHW-HP.

 Lot 21: Heat pumps above 12kW including residential, light commercial systems and VRF >>> Digital Inverter™, Super Digital Inverter™, Big Digital Inverter™, Mini SMMS-e™, SMMS-e™, SHRM-e™, SMMS-u™ and SHRM Advance™.

 Lot 6: Residential and non residential ventilation including air treatment VN units.

Toshiba Air Conditioning dedicated public website provides energy labels with detailed performances for all systems.


 Lot 10: Air-to-Air heat pumps up to 12kW >>>> SEYIA™, SHORAI™ Edge, HAORI™, DAISEIKAI™ 9, Console, Digital Inverter, Super Digital Inverter.

For more information visit  
[www.ecodesign.toshiba-airconditioning.eu](http://www.ecodesign.toshiba-airconditioning.eu)

## EXPERIENCE THE FUTURE



### > TO GUIDE YOU

- |   |   |   |   |   |   |   |   |   |   |   |   |
|---|---|---|---|---|---|---|---|---|---|---|---|
|  |  |  |  |  |  |    |    |  |  |  |  |
| A++ IN HEATING & COOLING  | OUTSTANDING PERFORMANCE   | INTERACTIVE   | CAPACITY  | OPERATION RANGE   | D.H.W   | LOW SOUND LEVEL   | HIGH AIR FLOW   | TWIN ROTARY COMPRESSOR  | LIGHT WEIGHT  | NFC COMPATIBLE  | SPIGOT COMPATIBLE   |
|  |  |  |  |  |  |    |    |   |  |  |  |
| EASY INSTALLATION   | COMPACT   | Built in WI-FI  | INFRARED CONTROLLER   | ENHANCED FILTRATION   | SELF CLEANING   | ADJUSTABLE HEIGHT   | ENERGY SAVING   | AIR DISTRIBUTION  | FLEXIBLE PIPING   | REDUCED FOOTPRINT   | STATIC PRESSURE   |
|  |  |  |  |  |  |  |  |  |   |   |   |
| INDIVIDUAL HOUSING  | REFURBISHMENT   | SHOPS   | RETAIL  | BUSINESSES  | ADMINISTRATION  | HOTELS  | HEALTHCARE  | OFFICES   |   |   |   |

<b>Contents</b>	<b>Model References</b>	<b>Pages</b>
<b>RAS High Wall Systems</b>		<b>15 - 56</b>
High-Wall Inverter Split System - SEIYA	<a href="#">B0*S4KVG-E</a>	15 - 25
High-Wall Inverter Split System - SHORAI Edge - Black/White	<a href="#">B0*G3KVSG(B)-E</a>	26 - 36
High-Wall Inverter Split System - HAORI	<a href="#">B1*N4KVRG-E1</a>	37 - 41
High-Wall Inverter Split System - DAISEIKAI 10 - Wood/White	<a href="#">B1*S4KV*G-E</a>	47 - 51
Inverter Split System - Bi-Flow Console	<a href="#">B1*J2FVG-E</a>	52 - 56
<b>RAS Multi Split Inverters</b>		<b>57 - 78</b>
Multi Split Inverter Outdoor Unit	<a href="#">*M1*G3AVG-E</a>	57 - 64
Multi Compact Cassette	<a href="#">M1*U2MUVG-E</a>	65 - 68
Multi Slim Ducted	<a href="#">M*U2DVG-E</a>	69 - 75
<a href="#">RAS Controls and Accessories</a>		76 - 78
<b>Brochures</b>		<b>96</b>
<a href="#">Brochures</a>		96
<b>Contact Us</b>		<b>97</b>
<a href="#">Contact Us</a>		97

S III IY A



## SEIYA: RAS - B05S4KVG-E

- A++ in both Heating and cooling.
- Power supply to indoor or outdoor unit.
- Sleek and compact suitable for all applications.
- Available in both single and multi split applications.
- Compatible with Wi-Fi with adapter in the box as standard.



Retail Price (interactive icons):




UK



ROI



Hi - Res Image 

### ENTRY TIER PRODUCT RANGE

Performance			
Indoor Unit		RAS-	B05S4KVG-E
Outdoor Unit		RAS-	05E2AVG-E
Nominal	Cooling Capacity	kW	1.5
	Heating Capacity	kW	2.0
	EER/COP	W/W	4.17/4.26
UK	Cooling Total/Sensible	kW	1.47/1.22
	Heating	kW	1.18
Cooling EN14825	Range Min. - Max.	kW	0.75 - 2.00
	Power Input	kW	0.36
	Pdesign	kW	1.5
	SEER/Energy Efficiency Class		6.90/A++
	Seasonal Energy Consumption	kWh/a	76
Heating EN14825	Range Min. - Max.	kW	0.8 - 3.00
	Power Input	kW	0.47
	Pdesign	kW	1.6
	SCOP/Energy Efficiency Class		4.60/A++
	Seasonal Energy Consumption	kWh/a	487

Indoor Data			
Air Flow	High - Low	l/s	134 - 53
	High - Low	m3/h	480 - 190
Sound	Pressure High - Low	dB(A)	37 - 19
	Power High - Low	dB(A)	50
Unit	Height x Width x Depth	mm	288 x 770 x 225
	Weight	kg	9
Pipe Connection	Flare Connections (gas - liquid)	inch	3/8" - 1/4"
	Drain Pipe Connection OD/ID	mm	16/14
Remote controller			WH-TG01NE

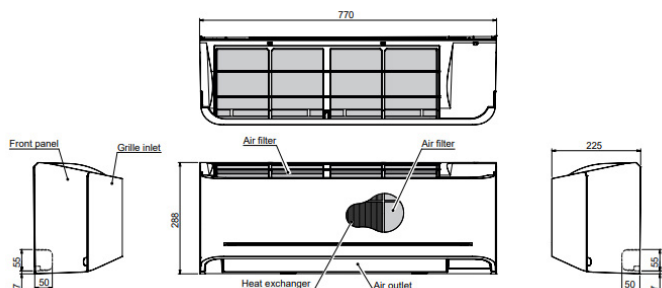
### Accessories

<a href="#">RB-RXS33-E</a>	Option Remote Controller (Weekly Timer)
<a href="#">RB-RXS34-E</a>	Option Black remote

\*All [Accessories / Controls](#)

### Related Items:

- [Full Specification](#)
- [Dimensional Drawing](#)
- [Wiring Diagram](#)
- [Airflow/ Fan Curve](#)
- [Installation Manual](#)
- [Owners Manual](#)



## SEIYA: RAS - B07S4KVG-E

- A++ in both Heating and cooling.
- Power supply to indoor or outdoor unit.
- Sleek and compact suitable for all applications.
- Available in both single and multi split applications.
- Compatible with WI-FI with adapter in the box as standard.



Retail Price (interactive icons):




UK



ROI



Hi - Res Image 

### ENTRY TIER PRODUCT RANGE

Performance			
Indoor Unit		RAS-	B07S4KVG-E
Outdoor Unit		RAS-	07E2AVG-E
Nominal	Cooling Capacity	kW	2.0
	Heating Capacity	kW	2.5
	EER/COP	W/W	3.77/3.91
UK	Cooling Total/Sensible	kW	1.95/1.57
	Heating	kW	1.60
Cooling EN14825	Range Min. - Max.	kW	0.76 - 2.60
	Power Input	kW	0.53
	Pdesign	kW	2.0
	SEER/Energy Efficiency Class		6.20/A++
	Seasonal Energy Consumption	kWh/a	113
Heating EN14825	Range Min. - Max.	kW	0.82 - 3.30
	Power Input	kW	0.64
	Pdesign	kW	2.0
	SCOP/Energy Efficiency Class		4.60/A++
	Seasonal Energy Consumption	kWh/a	609

Indoor Data			
Air Flow	High - Low	l/s	140 - 55
	High - Low	m3/h	500 - 200
Sound	Pressure High - Low	dB(A)	38 - 19
	Power High - Low	dB(A)	51
Unit	Height x Width x Depth	mm	288 x 770 x 225
	Weight	kg	9
Pipe Connection	Flare Connections (gas - liquid)	inch	3/8" - 1/4"
	Drain Pipe Connection OD/ID	mm	16/14
Remote controller			WH-TG01NE

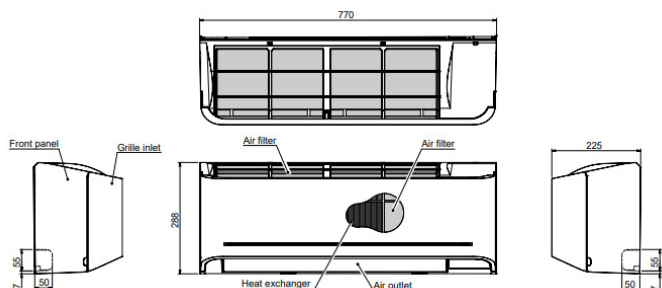
### Accessories

<a href="#">RB-RXS33-E</a>	Option Remote Controller (Weekly Timer)
<a href="#">RB-RXS34-E</a>	Option Black remote

\*All [Accessories / Controls](#)

### Related Items:

- [Full Specification](#)
- [Dimensional Drawing](#)
- [Wiring Diagram](#)
- [Airflow/ Fan Curve](#)
- [Installation Manual](#)
- [Owners Manual](#)



## SEIYA: RAS - B10S4KVG-E

- A++ in both Heating and cooling.
- Power supply to indoor or outdoor unit.
- Sleek and compact suitable for all applications.
- Available in both single and multi split applications.
- Compatible with WI-FI with adapter in the box as standard.



Retail Price (interactive icons):




UK



ROI



Hi - Res Image 

### ENTRY TIER PRODUCT RANGE

Performance			
Indoor Unit		RAS-	B10S4KVG-E
Outdoor Unit		RAS-	10E2AVG-E
Nominal	Cooling Capacity	kW	2.5
	Heating Capacity	kW	3.2
	EER/COP	W/W	3.57/3.72
UK	Cooling Total/Sensible	kW	2.44/1.93
	Heating	kW	2.03
Cooling EN14825	Range Min. - Max.	kW	0.80 - 3.00
	Power Input	kW	0.70
	Pdesign	kW	2.5
	SEER/Energy Efficiency Class		7.00/A++
	Seasonal Energy Consumption	kWh/a	125
Heating EN14825	Range Min. - Max.	kW	0.95 - 3.90
	Power Input	kW	0.86
	Pdesign	kW	2.4
	SCOP/Energy Efficiency Class		4.60/A++
	Seasonal Energy Consumption	kWh/a	730

Indoor Data			
Air Flow	High - Low	l/s	144 - 64
	High - Low	m3/h	510 - 230
Sound	Pressure High - Low	dB(A)	39 - 20
	Power High - Low	dB(A)	52
Unit	Height x Width x Depth	mm	288 x 770 x 225
	Weight	kg	9
Pipe Connection	Flare Connections (gas - liquid)	inch	3/8" - 1/4"
	Drain Pipe Connection OD/ID	mm	16/14
Remote controller			WH-TG01NE

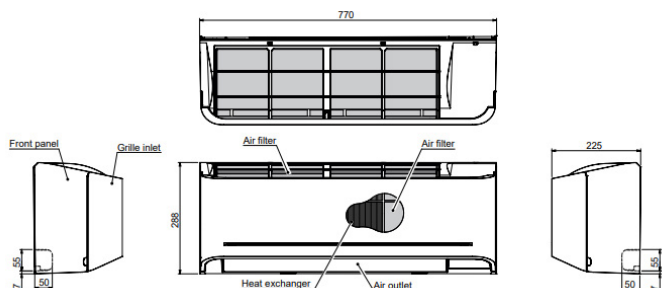
### Accessories

<a href="#">RB-RXS33-E</a>	Option Remote Controller (Weekly Timer)
<a href="#">RB-RXS34-E</a>	Option Black remote

\*All [Accessories / Controls](#)

### Related Items:

- [Full Specification](#)
- [Dimensional Drawing](#)
- [Wiring Diagram](#)
- [Airflow/ Fan Curve](#)
- [Installation Manual](#)
- [Owners Manual](#)



## SEIYA: RAS - B13S4KVG-E

- A++ in both Heating and cooling.
- Power supply to indoor or outdoor unit.
- Sleek and compact suitable for all applications.
- Available in both single and multi split applications.
- Compatible with WI-FI with adapter in the box as standard.



Retail Price (interactive icons):




UK



ROI



Hi - Res Image 

### ENTRY TIER PRODUCT RANGE

Performance			
Indoor Unit		RAS-	B13S4KVG-E
Outdoor Unit		RAS-	13E2AVG-E
Nominal	Cooling Capacity	kW	3.3
	Heating Capacity	kW	3.6
	EER/COP	W/W	3.30/4.14
UK	Cooling Total/Sensible	kW	3.22/2.49
	Heating	kW	2.20
Cooling EN14825	Range Min. - Max.	kW	1.20 - 3.60
	Power Input	kW	1.00
	Pdesign	kW	3.3
	SEER/Energy Efficiency Class		7.00/A++
	Seasonal Energy Consumption	kWh/a	165
Heating EN14825	Range Min. - Max.	kW	0.97 - 4.50
	Power Input	kW	0.87
	Pdesign	kW	2.7
	SCOP/Energy Efficiency Class		4.60/A++
	Seasonal Energy Consumption	kWh/a	822

Indoor Data			
Air Flow	High - Low	l/s	208 - 92
	High - Low	m3/h	750 - 330
Sound	Pressure High - Low	dB(A)	42 - 21
	Power High - Low	dB(A)	54
Unit	Height x Width x Depth	mm	293 x 798 x 230
	Weight	kg	9
Pipe Connection	Flare Connections (gas - liquid)	inch	3/8" - 1/4"
	Drain Pipe Connection OD/ID	mm	16/14
Remote controller			WH-TG01NE

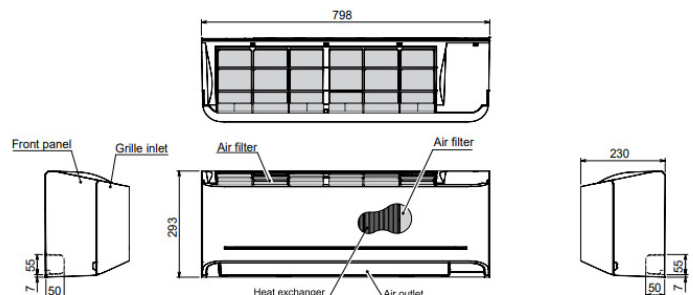
### Accessories

<a href="#">RB-RXS33-E</a>	Option Remote Controller (Weekly Timer)
<a href="#">RB-RXS34-E</a>	Option Black remote

\*All [Accessories / Controls](#)

### Related Items:

- [Full Specification](#)
- [Dimensional Drawing](#)
- [Wiring Diagram](#)
- [Airflow/ Fan Curve](#)
- [Installation Manual](#)
- [Owners Manual](#)



## SEIYA: RAS - B16S4KVG-E

- A++ in both Heating and cooling.
- Power supply to indoor or outdoor unit.
- Sleek and compact suitable for all applications.
- Available in both single and multi split applications.
- Compatible with WI-FI with adapter in the box as standard.



Retail Price (interactive icons):




UK



ROI



Hi - Res Image 

### ENTRY TIER PRODUCT RANGE

Performance			
Indoor Unit		RAS-	B16S4KVG-E
Outdoor Unit		RAS-	16E2AVG-E
Nominal	Cooling Capacity	kW	4.2
	Heating Capacity	kW	5.0
	EER/COP	W/W	3.31/3.73
UK	Cooling Total/Sensible	kW	4.49/3.36
	Heating	kW	3.33
Cooling EN14825	Range Min. - Max.	kW	1.40 - 4.70
	Power Input	kW	1.27
	Pdesign	kW	4.2
	SEER/Energy Efficiency Class		7.00/A++
	Seasonal Energy Consumption	kWh/a	210
Heating EN14825	Range Min. - Max.	kW	1.30 - 6.00
	Power Input	kW	1.34
	Pdesign	kW	3.6
	SCOP/Energy Efficiency Class		4.60/A++
	Seasonal Energy Consumption	kWh/a	1095

Indoor Data			
Air Flow	High - Low	l/s	212 - 92
	High - Low	m3/h	760 - 330
Sound	Pressure High - Low	dB(A)	43 - 22
	Power High - Low	dB(A)	56
Unit	Height x Width x Depth	mm	293 x 798 x 230
	Weight	kg	9
Pipe Connection	Flare Connections (gas - liquid)	inch	1/2" - 1/4"
	Drain Pipe Connection OD/ID	mm	16/14
Remote controller			WH-TG01NE

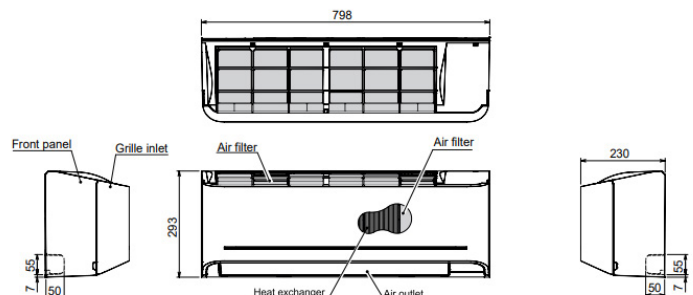
### Accessories

<a href="#">RB-RXS33-E</a>	Option Remote Controller (Weekly Timer)
<a href="#">RB-RXS34-E</a>	Option Black remote

\*All [Accessories / Controls](#)

### Related Items:

- [Full Specification](#)
- [Dimensional Drawing](#)
- [Wiring Diagram](#)
- [Airflow/ Fan Curve](#)
- [Installation Manual](#)
- [Owners Manual](#)



## SEIYA: RAS - B18S4KVG-E

- A++ in both Heating and cooling.
- Power supply to indoor or outdoor unit.
- Sleek and compact suitable for all applications.
- Available in both single and multi split applications.
- Compatible with WI-FI with adapter in the box as standard.



Retail Price (interactive icons):




UK



ROI



Hi - Res Image 

### ENTRY TIER PRODUCT RANGE

#### Performance

Indoor Unit		RAS-	B18S4KVG-E
Outdoor Unit		RAS-	18E2AVG-E
Nominal	Cooling Capacity	kW	5.0
	Heating Capacity	kW	5.4
	EER/COP	W/W	3.33/3.60
UK	Cooling Total/Sensible	kW	4.88/3.57
	Heating	kW	3.34
Cooling EN14825	Range Min. - Max.	kW	1.45 - 5.50
	Power Input	kW	1.50
	Pdesign	kW	5.0
	SEER/Energy Efficiency Class		7.00/A++
	Seasonal Energy Consumption	kWh/a	250
Heating EN14825	Range Min. - Max.	kW	1.35 - 6.00
	Power Input	kW	1.50
	Pdesign	kW	3.8
	SCOP/Energy Efficiency Class		4.40/A+
	Seasonal Energy Consumption	kWh/a	1209

#### Indoor Data

Air Flow	High - Low	l/s	233 - 133
	High - Low	m3/h	840 - 480
Sound	Pressure High - Low	dB(A)	48 - 26
	Power High - Low	dB(A)	60
Unit	Height x Width x Depth	mm	293 x 798 x 230
	Weight	kg	9
Pipe Connection	Flare Connections (gas - liquid)	inch	1/2" - 1/4"
	Drain Pipe Connection OD/ID	mm	16/14
Remote controller			WH-TG01NE

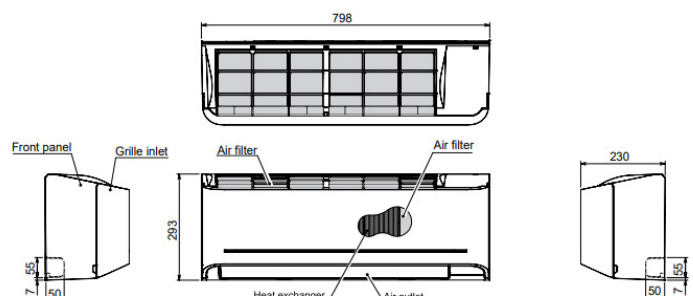
#### Accessories

<a href="#">RB-RXS33-E</a>	Option Remote Controller (Weekly Timer)
<a href="#">RB-RXS34-E</a>	Option Black remote

\*All [Accessories / Controls](#)

#### Related Items:

- [Full Specification](#)
- [Dimensional Drawing](#)
- [Wiring Diagram](#)
- [Airflow/ Fan Curve](#)
- [Installation Manual](#)
- [Owners Manual](#)



## SEIYA: RAS - B24S4KVG-E

- A++ in both Heating and cooling.
- Power supply to indoor or outdoor unit.
- Sleek and compact suitable for all applications.
- Available in both single and multi split applications.
- Compatible with Wi-Fi with adapter in the box as standard.



Retail Price (interactive icons):




UK



ROI



Hi - Res Image 

### ENTRY TIER PRODUCT RANGE

Performance			
Indoor Unit		RAS-	B24S4KVG-E
Outdoor Unit		RAS-	24E2AVG-E
Nominal	Cooling Capacity	kW	6.5
	Heating Capacity	kW	7.0
	EER/COP	W/W	2.89/3.33
UK	Cooling Total/Sensible	kW	6.35/4.40
	Heating	kW	4.31
	Range Min. - Max.	kW	1.7 - 7.2
Cooling EN14825	Power Input	kW	2.25
	Pdesign	kW	6.5
	SEER/Energy Efficiency Class		6.90/A++
	Seasonal Energy Consumption	kWh/a	330
Heating EN14825	Range Min. - Max.	kW	1.5 - 8.1
	Power Input	kW	2.10
	Pdesign	kW	5.4
	SCOP/Energy Efficiency Class		4.30/A+
	Seasonal Energy Consumption	kWh/a	1757

Indoor Data			
Air Flow	High - Low	l/s	298 - 183
	High - Low	m3/h	1070 - 660
Sound	Pressure High - Low	dB(A)	48 - 29
	Power High - Low	dB(A)	61
Unit	Height x Width x Depth	mm	320 x 1050 x 250
	Weight	kg	15
Pipe Connection	Flare Connections (gas - liquid)	inch	1/2" - 1/4"
	Drain Pipe Connection OD/ID	mm	16/14
Remote controller			WH-TG01NE

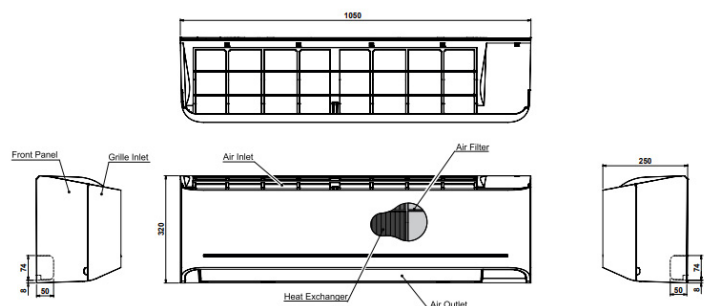
### Accessories

<a href="#">RB-RXS33-E</a>	Option Remote Controller (Weekly Timer)
<a href="#">RB-RXS34-E</a>	Option Black remote

\*All [Accessories / Controls](#)

### Related Items:

- [Full Specification](#)
- [Dimensional Drawing](#)
- [Wiring Diagram](#)
- [Airflow/ Fan Curve](#)
- [Owners Manual](#)



## SEIYA: RAS - 05E2AVG-E - 10E2AVG-E

- On demand defrost.
- Silent CDU noise reduction function.
- Power supply to indoor or outdoor unit.
- Energy Class A++/A++ cooling and heating modes.
- Toshiba Inverter and compressor technology with R32.



Hi - Res Image

Retail Price (interactive icons):



UK



ROI



### ENTRY TIER PRODUCT RANGE

Performance		ENTRY TIER PRODUCT RANGE			
Outdoor Unit		RAS-	05E2AVG-E	07E2AVG-E	10E2AVG-E
Operating Range	Cooling	C°	-15 ~ 46	-15 ~ 46	-15 ~ 46
	Heating		-15 ~ 24	-15 ~ 24	-15 ~ 24
Air Flow	High	m <sup>3</sup> /h - l/s	1690 - 470	1800 - 500	1800 - 500
Sound	Pressure High Cooling/Heating/Silent	dB(A)	47 / 48 / 42	47 / 49 / 42	47 / 49 / 43
	Power High Cooling/Heating/Silent	dB(A)	60 / 61 / 55	60 / 62 / 55	60 / 62 / 56
Unit	Height x Width x Depth	mm	530 x 660 x 240	530 x 660 x 240	530 x 660 x 240
	Weight	kg	21	21	22
Pipe Connection	Flare Connections (gas-liquid)	inch	3/8" - 1/4"	3/8" - 1/4"	3/8" - 1/4"
	Min.-Max. Length	m	2-15	2-15	2-15
	Maximum Height Difference	m	±12	±12	±12
	Drain Port Connection	mm	16	16	16
Refrigerant Charge	Base Charge/Chargeless Length	m	0.34/15	0.34/15	0.49/15
	Additional Charge	g/m	0	0	0
Run Current	Maximum	Amps	5.00	5.40	7.20
Power Cable	Outdoor to Indoor		3 core + earth	3 core + earth	3 core + earth
Power Supply	Suggested Fuse Size	V/ph/Hz-A	220-240/1/50-10	220-240/1/50-16	220-240/1/50-16

### Related Items - 05E2AVG-E:

- [Full Specification](#)
- [Dimensional Drawing](#)
- [Wiring Diagram](#)
- [Noise Curve Data](#)
- [Installation Manual](#)



### Related Items - 07E2AVG-E

- [Full Specification](#)
- [Dimensional Drawing](#)
- [Wiring Diagram](#)
- [Noise Curve Data](#)
- [Installation Manual](#)

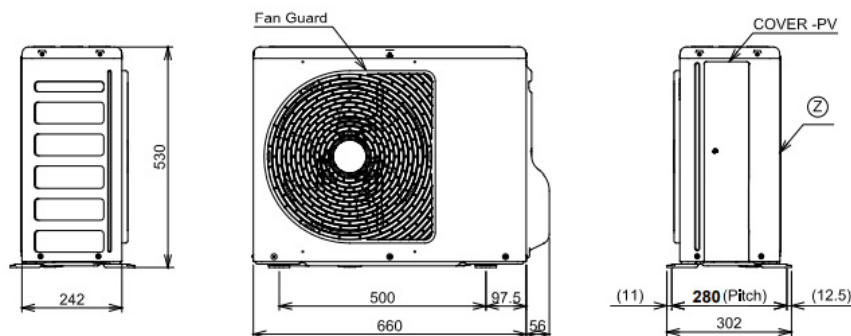


### Related Items - 10E2AVG-E

- [Full Specification](#)
- [Dimensional Drawing](#)
- [Wiring Diagram](#)
- [Noise Curve Data](#)
- [Installation Manual](#)



\*All [Accessories / Controls](#)



## SEIYA: RAS - 13E2AVG-E - 16E2AVG-E

- On demand defrost.
- Silent CDU noise reduction function.
- Power supply to indoor or outdoor unit.
- Energy Class A++/A++ cooling and heating modes.
- Toshiba Inverter and compressor technology with R32.



Hi - Res Image

Retail Price (interactive icons):



UK



ROI



### ENTRY TIER PRODUCT RANGE

Performance		RAS-	13E2AVG-E	16E2AVG-E
<b>Outdoor Unit</b>				
Operating Range	Cooling	C°	-15 ~ 46	-15 ~ 46
	Heating		-15 ~ 24	-15 ~ 24
Air Flow	High	m3/h - l/s	1980 - 550	2160 - 600
Sound	Pressure High Cooling/Heating/Silent	dB(A)	48 / 49 / 43	50 / 51 / 43
	Power High Cooling/Heating/Silent	dB(A)	61 / 62 / 56	63 / 64 / 59
Unit	Height x Width x Depth	mm	530 x 660 x 240	550 x 780 x 290
	Weight	kg	22	30
Pipe Connection	Flare Connections (gas-liquid)	inch	3/8" - 1/4"	1/2" - 1/4"
	Min.-Max. Length	m	2-15	2-20
	Maximum Height Difference	m	±12	±12
	Drain Port Connection	mm	16	16
Refrigerant Charge	Base Charge/Chargeless Length	m	0.54/15	0.68/15
	Additional Charge	g/m	0	20
Run Current	Maximum	Amps	7.40	9.00
Power Cable	Outdoor to Indoor		3 core + earth	3 core + earth
Power Supply	Suggested Fuse Size	V/ph/Hz-A	220-240/1/50-16	220-240/1/50-16

### Related Items - 13E2AVG-E

- [Full Specification](#)
- [Dimensional Drawing](#)
- [Wiring Diagram](#)
- [Noise Curve Data](#)
- [Installation Manual](#)

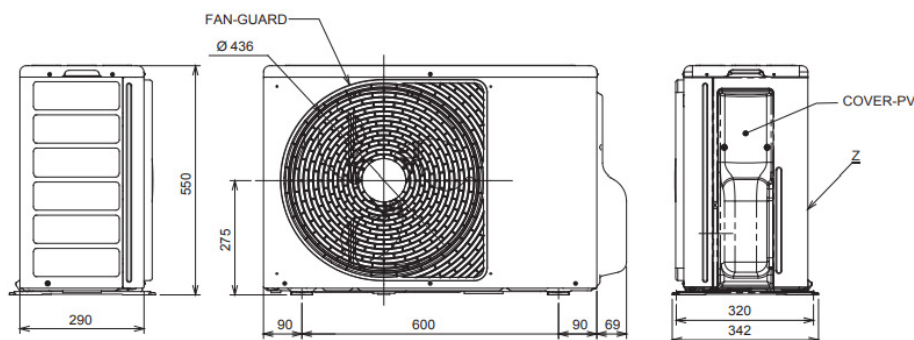


### Related Items - 16E2AVG:

- [Full specification](#)
- [Dimensional drawing](#)
- [Wiring diagram](#)
- [Noise Curve Data](#)
- [Installation Manual](#)



\*All [Accessories / Controls](#)



## SEIYA: RAS - 18E2AVG-E - 24E2AVG-E

- On demand defrost.
- Silent CDU noise reduction function.
- Power supply to indoor or outdoor unit.
- Energy Class A++/A++ cooling and heating modes.
- Toshiba Inverter and compressor technology with R32.



Hi - Res Image

Retail Price (interactive icons):



### ENTRY TIER PRODUCT RANGE

Performance		ENTRY TIER PRODUCT RANGE		
Outdoor Unit		RAS-	18E2AVG-E	24E2AVG-E
Operating Range	Cooling	C°	-15 ~ 46	-15 ~ 46
	Heating		-15 ~ 24	-15 ~ 24
Air Flow	High	m3/h - l/s	2160 - 600	2220 - 617
Sound	Pressure High Cooling/Heating/Silent	dB(A)	50 / 51 / 44	54 / 54 / 49
	Power High Cooling/Heating/Silent	dB(A)	63 / 64 / 59	67 / 67 / 62
Unit	Height x Width x Depth	mm	550 x 780 x 290	550 x 780 x 290
	Weight	kg	34	38
Pipe Connection	Flare Connections (gas-liquid)	inch	1/2" - 1/4"	1/2" - 1/4"
	Min.-Max. Length	m	2-20	2-20
	Maximum Height Difference	m	±12	±12
	Drain Port Connection	mm	16	16
Refrigerant Charge	Base Charge/Chargeless Length	m	0.93/15	1.18/15
	Additional Charge	g/m	20	20
Run Current	Maximum	Amps	9.25	10.60
Power Cable	Outdoor to Indoor		3 core + earth	3 core + earth
Power Supply	Suggested Fuse Size	V/ph/Hz-A	220-240/1/50-16	220-240/1/50-16

### Related Items - 18E2AVG-E:

- [Full Specification](#)
- [Dimensional drawing](#)
- [Wiring Diagram](#)
- [Noise Curve Data](#)
- [Installation Manual](#)

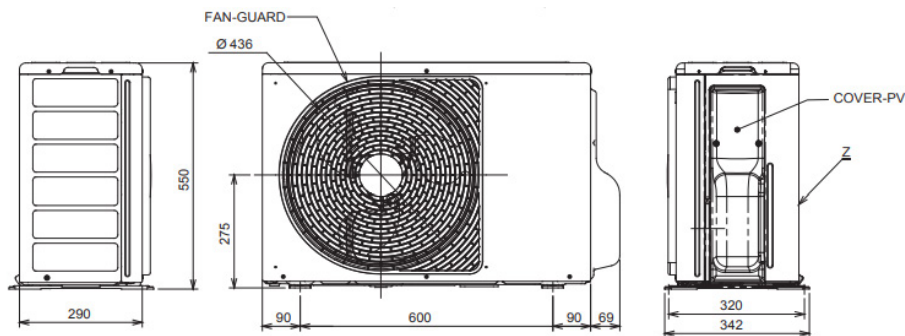


### Related Items - 24E2AVG-E:

- [Full Specification](#)
- [Dimensional Drawing](#)
- [Wiring Diagram](#)
- [Noise Curve Data](#)
- [Installation Manual](#)



\*All [Accessories / Controls](#)



# SHORAI EDGE



## SHORAI EDGE: RAS - B10G3KVSG(B)-E

- A+++ in both heating and cooling.
- Power supply to indoor or outdoor unit.
- Features the Ultra-Pure filter (PM2.5 94%).
- HADA care flow function for high indoor air quality.
- WI-FI embedded with advanced energy monitoring .



Retail Price (interactive icons):

- UK ROI BLACK  
 UK ROI WHITE

Hi - Res Image



### MID TIER PRODUCT RANGE

#### Performance

Indoor Unit	Black	RAS-	B10G3KVSGB-E
Indoor Unit	White	RAS-	B10G3KVSG-E
Outdoor Unit		RAS-	<a href="#">10J2AVSG-E1</a>
Nominal	Cooling Capacity	kW	2.5
	Heating Capacity	kW	3.2
	EER/COP	W/W	4.63/4.57
UK	Cooling Total/Sensible	kW	3.42/2.74
	Heating	kW	2.61
	Range Min. - Max.	kW	0.89 - 3.20
Cooling EN14825	Power Input	kW	0.54
	Pdesign	kW	2.5
	SEER/Energy Efficiency Class		8.60/A+++
	Seasonal Energy Consumption	kWh/a	102
Heating EN14825	Range Min. - Max.	kW	0.90 - 4.80
	Power Input	kW	0.70
	Pdesign	kW	2.5
	SCOP/Energy Efficiency Class		5.10/A+++
	Seasonal Energy Consumption	kWh/a	686

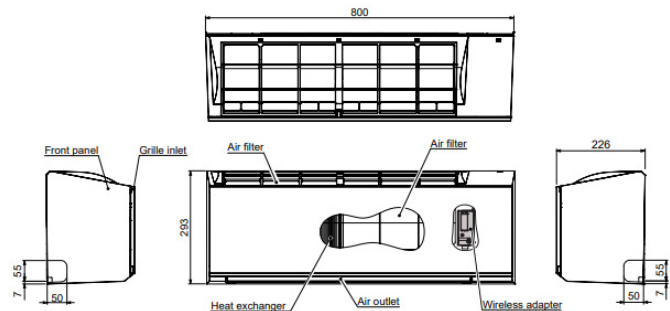
#### Indoor Data

Air Flow	High - Low	l/s	183 - 86
	High - Low	m3/h	660 - 310
Sound	Pressure High - Low	dB(A)	40 - 19
	Power High - Low	dB(A)	55 - 34
Unit	Height x Width x Depth	mm	293x800x226
	Weight	mm	10
Pipe Connection	Flare Connections (gas - liquid)	inch	3/8" - 1/4"
	Drain Pipe Connection OD/ID	mm	16/14
Remote controller	White		WH-UA06UE
Remote controller	Black		WH-UA04UE

\*All [Accessories / Controls](#)

#### Related Items:

- [Full Specification](#)
- [Dimensional Drawing](#)
- [Wiring Diagram](#)
- [Airflow/ Fan Curve](#)
- [Installation Manual](#)
- [Owners Manual](#)



## SHORAI EDGE: RAS - B13G3KVSGB(B)-E

- A+++ in both heating and cooling.
- Power supply to indoor or outdoor unit.
- Features the Ultra-Pure filter (PM2.5 94%).
- HADA care flow function for high indoor air quality.
- WI-FI embedded with advanced energy monitoring .



Retail Price (interactive icons):

- UK ROI BLACK  
 UK ROI WHITE

Hi - Res Image



### MID TIER PRODUCT RANGE

#### Performance

Indoor Unit	Black	RAS-	B13G3KVSGB-E
Indoor Unit	White	RAS-	B13G3KVSGB-E
Outdoor Unit		RAS-	<a href="#">13J2AVSG-E1</a>
Nominal	Cooling Capacity	kW	3.5
	Heating Capacity	kW	4.2
	EER/COP	W/W	3.89/3.89
UK	Cooling Total/Sensible	kW	4.49/3.56
	Heating	kW	3.59
Cooling EN14825	Range Min. - Max.	kW	1.00 - 4.10
	Power Input	kW	0.90
	Pdesign	kW	3.5
	SEER/Energy Efficiency Class		8.60/A+++
	Seasonal Energy Consumption	kWh/a	142
Heating EN14825	Range Min. - Max.	kW	1.00 - 5.30
	Power Input	kW	1.08
	Pdesign	kW	3.2
	SCOP/Energy Efficiency Class		5.10/A+++
	Seasonal Energy Consumption	kWh/a	878

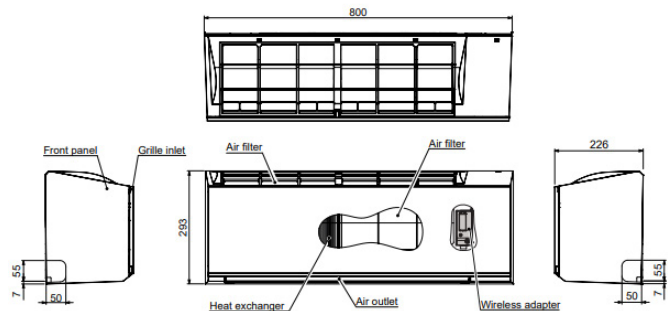
#### Indoor Data

Air Flow	High - Low	l/s	203 - 95
	High - Low	m3/h	730 - 340
Sound	Pressure High - Low	dB(A)	43 - 19
	Power High - Low	dB(A)	58 - 34
Unit	Height x Width x Depth	mm	293x800x226
	Weight	mm	10
Pipe Connection	Flare Connections (gas - liquid)	inch	3/8" - 1/4"
	Drain Pipe Connection OD/ID	mm	16/14
Remote controller	White		WH-UA06UE
Remote controller	Black		WH-UA04UE

\*All [Accessories / Controls](#)

#### Related Items:

- [Full Specification](#)
- [Dimensional Drawing](#)
- [Wiring Diagram](#)
- [Airflow/ Fan Curve](#)
- [Installation Manual](#)
- [Owners Manual](#)



## SHORAI EDGE: RAS - B16G3KMSG(B)-E

- A+++ in both heating and cooling.
- Power supply to indoor or outdoor unit.
- Features the Ultra-Pure filter (PM2.5 94%).
- HADA care flow function for high indoor air quality.
- WI-FI embedded with advanced energy monitoring .



Retail Price (interactive icons):

- UK ROI BLACK  
 UK ROI WHITE

Hi - Res Image



### MID TIER PRODUCT RANGE

#### Performance

Indoor Unit	Black	RAS-	B16G3KMSG-B-E
Indoor Unit	White	RAS-	B16G3KMSG-E
Outdoor Unit		RAS-	<a href="#">16J2AVSG-E1</a>
Nominal	Cooling Capacity	kW	4.6
	Heating Capacity	kW	5.5
	EER/COP	W/W	3.41/3.62
UK	Cooling Total/Sensible	kW	4.88/3.57
	Heating	kW	3.83
Cooling EN14825	Range Min. - Max.	kW	1.20 - 5.30
	Power Input	kW	1.35
	Pdesign	kW	4.6
	SEER/Energy Efficiency Class		7.80/A++
	Seasonal Energy Consumption	kWh/a	206
Heating EN14825	Range Min. - Max.	kW	1.10 - 6.50
	Power Input	kW	1.52
	Pdesign	kW	4.0
	SCOP/Energy Efficiency Class		4.60/A++
	Seasonal Energy Consumption	kWh/a	1217

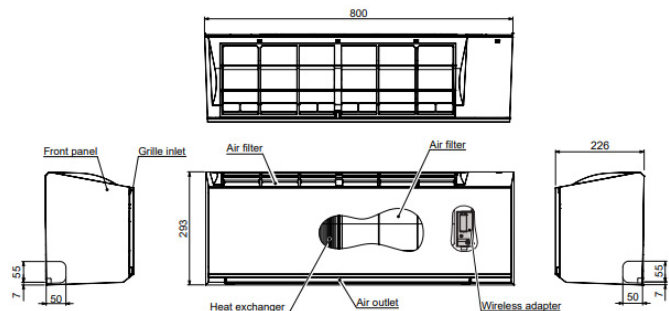
#### Indoor Data

Air Flow	High - Low	l/s	211 - 100
	High - Low	m3/h	760 - 360
Sound	Pressure High - Low	dB(A)	44 - 22
	Power High - Low	dB(A)	59 - 37
Unit	Height x Width x Depth	mm	293x800x226
	Weight	mm	10
Pipe Connection	Flare Connections (gas - liquid)	inch	1/2" - 1/4"
	Drain Pipe Connection OD/ID	mm	16/14
Remote controller	White		WH-UA06UE
Remote controller	Black		WH-UA04UE

\*All [Accessories / Controls](#)

#### Related Items:

- [Full Specification](#)
- [Dimensional Drawing](#)
- [Wiring Diagram](#)
- [Airflow/ Fan Curve](#)
- [Installation Manual](#)
- [Owners Manual](#)



## SHORAI EDGE: RAS - B18G3KMSG(B)-E

- A+++ in both heating and cooling.
- Power supply to indoor or outdoor unit.
- Features the Ultra-Pure filter (PM2.5 94%).
- HADA care flow function for high indoor air quality.
- WI-FI embedded with advanced energy monitoring .



Retail Price (interactive icons):

- UK ROI BLACK  
 UK ROI WHITE



Hi - Res Image

### MID TIER PRODUCT RANGE

#### Performance

Indoor Unit	Black	RAS-	B18G3KMSG-B-E
Indoor Unit	White	RAS-	B18G3KMSG-E
Outdoor Unit		RAS-	<a href="#">18J2AVSG-E1</a>
Nominal	Cooling Capacity	kW	5.0
	Heating Capacity	kW	6.0
	EER/COP	W/W	3.52/3.77
UK	Cooling Total/Sensible	kW	5.96/4.24
	Heating	kW	3.98
	Range Min. - Max.	kW	1.20 - 6.00
Cooling EN14825	Power Input	kW	1.42
	Pdesign	kW	5.0
	SEER/Energy Efficiency Class		7.30/A++
	Seasonal Energy Consumption	kWh/a	242
Heating EN14825	Range Min. - Max.	kW	1.10 - 6.50
	Power Input	kW	1.59
	Pdesign	kW	4.3
	SCOP/Energy Efficiency Class		4.60/A++
	Seasonal Energy Consumption	kWh/a	1309

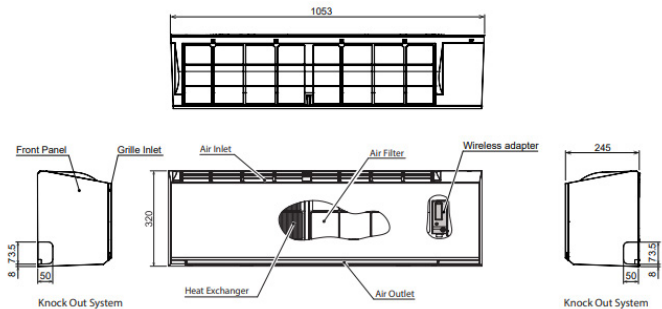
#### Indoor Data

Air Flow	High - Low	l/s	275 - 158
	High - Low	m3/h	990 - 570
Sound	Pressure High - Low	dB(A)	44 - 26
	Power High - Low	dB(A)	59 - 41
Unit	Height x Width x Depth	mm	320x1053x245
	Weight	mm	14
Pipe Connection	Flare Connections (gas - liquid)	inch	1/2" - 1/4"
	Drain Pipe Connection OD/ID	mm	16/14
Remote controller	White		WH-UA06UE
Remote controller	Black		WH-UA04UE

\*All [Accessories / Controls](#)

#### Related Items:

- [Full Specification](#)
- [Dimensional Drawing](#)
- [Wiring Diagram](#)
- [Airflow/ Fan Curve](#)
- [Installation Manual](#)
- [Owners Manual](#)



## SHORAI EDGE: RAS - B22G3KVSG(B)-E

- A+++ in both heating and cooling.
- Power supply to indoor or outdoor unit.
- Features the Ultra-Pure filter (PM2.5 94%).
- HADA care flow function for high indoor air quality.
- WI-FI embedded with advanced energy monitoring .



Retail Price (interactive icons):

- UK ROI BLACK  
 UK ROI WHITE



Hi - Res Image

### MID TIER PRODUCT RANGE

#### Performance

Indoor Unit	Black	RAS-	B22G3KVSG-B-E	
Indoor Unit	White	RAS-	B22G3KVSG-E	
Outdoor Unit		RAS-	<a href="#">22J2AVSG-E1</a>	
Nominal	Cooling Capacity	kW	6.1	
	Heating Capacity	kW	7.0	
	EER/COP	W/W	3.07/3.72	
UK	Cooling Total/Sensible	kW	6.84/4.71	
	Heating	kW	5.27	
Cooling EN14825	Range Min. - Max.	kW	1.39 - 6.70	
	Power Input	kW	1.99	
	Pdesign	kW	6.1	
	SEER/Energy Efficiency Class			7.30/A++
	Seasonal Energy Consumption	kWh/a		292
Heating EN14825	Range Min. - Max.	kW	1.15 - 7.50	
	Power Input	kW	1.88	
	Pdesign	kW	4.7	
	SCOP/Energy Efficiency Class			4.60/A++
	Seasonal Energy Consumption	kWh/a		1430

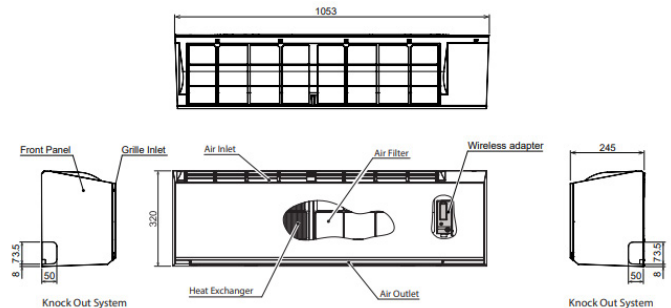
#### Indoor Data

Air Flow	High - Low	l/s	300 - 191
	High - Low	m3/h	1080 - 690
Sound	Pressure High - Low	dB(A)	46 - 27
	Power High - Low	dB(A)	61 - 42
Unit	Height x Width x Depth	mm	320x1053x245
	Weight	mm	14
Pipe Connection	Flare Connections (gas - liquid)	inch	1/2" - 1/4"
	Drain Pipe Connection OD/ID	mm	16/14
Remote controller	White		WH-UA06UE
Remote controller	Black		WH-UA04UE

\*All [Accessories / Controls](#)

#### Related Items:

- [Full Specification](#)
- [Dimensional Drawing](#)
- [Wiring Diagram](#)
- [Airflow/ Fan Curve](#)
- [Installation Manual](#)
- [Owners Manual](#)



## SHORAI EDGE: RAS - B24G3KMSG(B)-E

- A+++ in both heating and cooling.
- Power supply to indoor or outdoor unit.
- Features the Ultra-Pure filter (PM2.5 94%).
- HADA care flow function for high indoor air quality.
- WI-FI embedded with advanced energy monitoring .



Retail Price (interactive icons):

- UK ROI BLACK  
 UK ROI WHITE

Hi - Res Image



### MID TIER PRODUCT RANGE

#### Performance

Indoor Unit	Black	RAS-	B24G3KMSG-B-E	
Indoor Unit	White	RAS-	B24G3KMSG-E	
Outdoor Unit		RAS-	<a href="#">24J2AVSG-E1</a>	
Nominal	Cooling Capacity	kW	7.0	
	Heating Capacity	kW	8.0	
	EER/COP	W/W	3.11/3.40	
UK	Cooling Total/Sensible	kW	6.84/4.71	
	Heating	kW	5.27	
Cooling EN14825	Range Min. - Max.	kW	1.70 - 7.70	
	Power Input	kW	2.25	
	Pdesign	kW	7.0	
	SEER/Energy Efficiency Class			6.30/A++
	Seasonal Energy Consumption		kWh/a	389
Heating EN14825	Range Min. - Max.	kW	1.70 - 8.80	
	Power Input	kW	2.35	
	Pdesign	kW	6.3	
	SCOP/Energy Efficiency Class			4.10/A+
	Seasonal Energy Consumption		kWh/a	2149

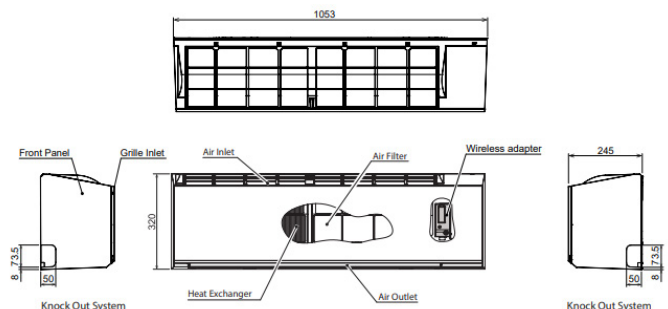
#### Indoor Data

Air Flow	High - Low	l/s	316 - 200
	High - Low	m3/h	1140 - 720
Sound	Pressure High - Low	dB(A)	48 - 28
	Power High - Low	dB(A)	63 - 43
Unit	Height x Width x Depth	mm	320x1053x245
	Weight	mm	14
Pipe Connection	Flare Connections (gas - liquid)	inch	1/2" - 1/4"
	Drain Pipe Connection OD/ID	mm	16/14
Remote controller	White		WH-UA06UE
Remote controller	Black		WH-UA04UE

\*All [Accessories / Controls](#)

#### Related Items:

- [Full Specification](#)
- [Dimensional Drawing](#)
- [Wiring Diagram](#)
- [Airflow/ Fan Curve](#)
- [Installation Manual](#)
- [Owners Manual](#)



## SHORAI EDGE: RAS - 10J2AVSG-E1 - 13J2AVSG-E1

- Power supply to indoor or outdoor unit.
- Silent CDU noise reduction function (6dBA).
- WI-FI compatible with advanced energy monitoring.
- Energy Class A+++/A+++ cooling and heating modes.
- Toshiba Inverter and compressor technology with R32.



Hi - Res Image

Retail Price (interactive icons):



UK



ROI



### MID TIER PRODUCT RANGE

Performance		MID TIER PRODUCT RANGE		
Outdoor Unit		RAS-	10J2AVSG-E1	13J2AVSG-E1
Operating Range	Cooling	C°	-15~46	-15~46
	Heating		-15~24	-15~24
Air Flow	High	m <sup>3</sup> /h - l/s	1890 - 524	1950 - 540
Sound	Pressure High Cooling/Heating/Silent	dB(A)	44 - 46	46 - 48
	Power High Cooling/Heating/Silent	dB(A)	57 - 59	59 - 61
Unit	Height x Width x Depth	mm	550x780x290	550x780x290
	Weight	kg	26	30
Pipe Connection	Flare Connections (gas-liquid)	inch	3/8" - 1/4"	3/8" - 1/4"
	Min.-Max. Length	m	2-20	2-20
	Maximum Height Difference	m	±12	±12
	Drain Port Connection	mm	16	16
Refrigerant Charge	Base Charge/Chargeless Length	m	0.55/15	0.8/15
	Additional Charge	g/m	20	20
Run Current	Maximum	Amps	5.35	7.55
Power Cable	Outdoor to Indoor		3 core + earth	3 core + earth
Power Supply	Suggested Fuse Size	V/ph/Hz-A	220-240/1/50-10	220-240/1/50-16

### Related Items - 10J2AVSG-E1:

- [Full Specification](#)
- [Dimensional Drawing](#)
- [Wiring Diagram](#)
- [Noise Curve Data](#)
- [Installation Manual](#)

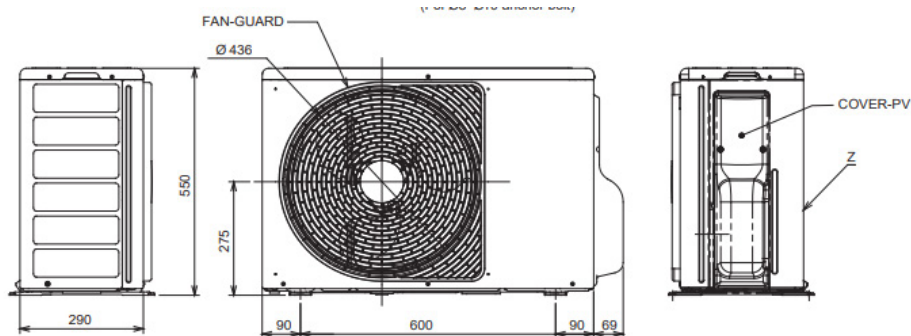


### Related Items - 13J2AVSG-E1:

- [Full Specification](#)
- [Dimensional Drawing](#)
- [Wiring Diagram](#)
- [Noise Curve Data](#)
- [Installation Manual](#)



\*All [Accessories / Controls](#)



## SHORAI EDGE: RAS - 16J2AVSG-E1 - 18J2AVSG-E1

- Power supply to indoor or outdoor unit.
- Silent CDU noise reduction function (6dBA).
- WI-FI compatible with advanced energy monitoring.
- Energy Class A+++/A+++ cooling and heating modes.
- Toshiba Inverter and compressor technology with R32.



Hi - Res Image

Retail Price (interactive icons):



UK



ROI



### MID TIER PRODUCT RANGE

Performance		RAS-	16J2AVSG-E1	18J2AVSG-E1
Outdoor Unit	Operating Range	C°	-15~46	-15~46
	Cooling		-15~24	-15~24
Air Flow	High	m3/h - l/s	2040 - 566	2076 - 576
	Pressure High Cooling/Heating/Silent	dB(A)	48 - 50	48 - 50
Sound	Power High Cooling/Heating/Silent	dB(A)	61 - 63	63 - 63
	Height x Width x Depth	mm	550x780x290	550x780x290
Unit	Weight	kg	33	34
	Flare Connections (gas-liquid)	inch	1/2" - 1/4"	1/2" - 1/4"
Pipe Connection	Min.-Max. Length	m	2-20	2-20
	Maximum Height Difference	m	±12	±12
	Drain Port Connection	mm	16	16
Refrigerant Charge	Base Charge/Chargeless Length	m	0.8/15	1.1/15
	Additional Charge	g/m	20	20
Run Current	Maximum	Amps	8.35	9.11
Power Cable	Outdoor to Indoor		3 core + earth	3 core + earth
Power Supply	Suggested Fuse Size	V/ph/Hz-A	220-240/1/50-16	220-240/1/50-16

### Related Items - 16J2AVSG-E1:

- [Full Specification](#)
- [Dimensional Drawing](#)
- [Wiring Diagram](#)
- [Noise Curve Data](#)
- [Installation Manual](#)

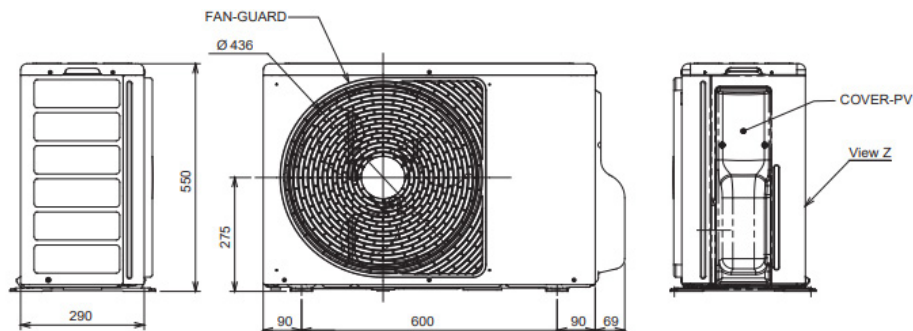


### Related Items - 18J2AVSG-E1:

- [Full Specification](#)
- [Dimensional Drawing](#)
- [Wiring Diagram](#)
- [Noise Curve Data](#)
- [Installation Manual](#)



\*All [Accessories / Controls](#)



## SHORAI EDGE: RAS - 22J2AVSG-E1 - 24J2AVSG-E1

- Power supply to indoor or outdoor unit.
- Silent CDU noise reduction function (6dBA).
- WI-FI compatible with advanced energy monitoring.
- Energy Class A+++/A+++ cooling and heating modes.
- Toshiba Inverter and compressor technology with R32.



Hi - Res Image

Retail Price (interactive icons):



UK



ROI



### MID TIER PRODUCT RANGE

#### Performance

Outdoor Unit		RAS-	22J2AVSG-E1	24J2AVSG-E1
Operating Range	Cooling	C°	-15~46	-15~46
	Heating		-15~24	-15~24
Air Flow	High	m3/h - l/s	2184 - 607	2916 - 810
Sound	Pressure High Cooling/Heating/Silent	dB(A)	49 - 51	50 - 53
	Power High Cooling/Heating/Silent	dB(A)	62 - 64	63 - 66
Unit	Height x Width x Depth	mm	550x780x290	630x800x300
	Weight	kg	34	42
Pipe Connection	Flare Connections (gas-liquid)	inch	1/2" - 1/4"	1/2" - 1/4"
	Min.-Max. Length	m	2-20	2-25
	Maximum Height Difference	m	±12	±15
	Drain Port Connection	mm	16	16
Refrigerant Charge	Base Charge/Chargeless Length	m	1.1/15	1.14/15
	Additional Charge	g/m	20	20
Run Current	Maximum	Amps	11.16	11.16
Power Cable	Outdoor to Indoor		3 core + earth	3 core + earth
Power Supply	Suggested Fuse Size	V/ph/Hz-A	220-240/1/50-16	220-240/1/50-16

#### Related Items - 22J2AVSG-E1:

- [Full Specification](#)
- [Dimensional Drawing](#)
- [Wiring Diagram](#)
- [Noise Curve Data](#)
- [Installation Manual](#)

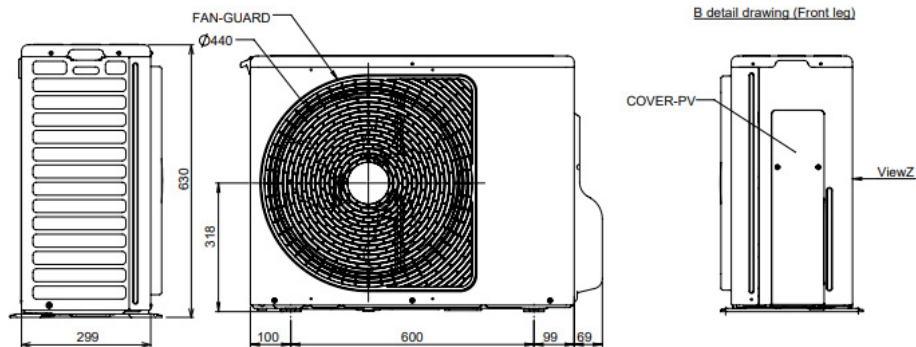


#### Related Items - 24J2AVSG-E1:

- [Full Specification](#)
- [Dimensional Drawing](#)
- [Wiring Diagram](#)
- [Noise Curve Data](#)
- [Installation Manual](#)



\*All [Accessories / Controls](#)



# HAORI



## HAORI: RAS - B10N4KVRG-E1

- Ultra quiet systems less than 19dB(A).
- Power supply to indoor or outdoor unit.
- Factory-integrated WI-FI with Energy monitoring.
- Fabrics with infinite possibilities , let your style be your guide.
- Toshiba Plasma Ionizer catches and neutralizes the contaminated particles.



Retail Price (interactive icons):



Hi - Res Image

### HIGH TIER PRODUCT RANGE

Performance		RAS-	B10N4KVRG-E1
Indoor Unit		RAS-	<a href="#">10J2AVSG-E1</a>
Outdoor Unit			
Nominal	Cooling Capacity	kW	2.5
	Heating Capacity	kW	3.2
	EER/COP	W/W	4.63/4.32
UK	Cooling Total/Sensible	kW	2.44/1.93
	Heating	kW	1.86
Cooling EN14825	Range Min. - Max.	kW	0.89 - 3.20
	Power Input	kW	0.54
	Pdesign	kW	2.5
	SEER/Energy Efficiency Class		8.50/A+++
	Seasonal Energy Consumption	kWh/a	102
Heating EN14825	Range Min. - Max.	kW	0.90 - 4.70
	Power Input	kW	0.74
	Pdesign	kW	2.5
	SCOP/Energy Efficiency Class		5.10/A+++
	Seasonal Energy Consumption	kWh/a	684

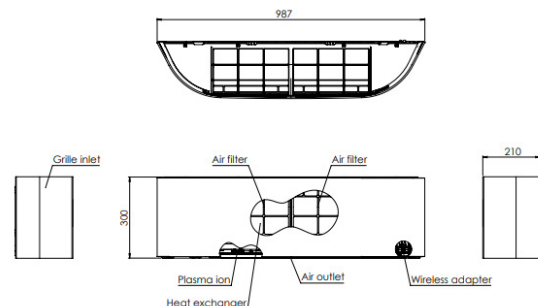
Indoor Data			
Air Flow	High - Low	l/s	169 - 83
	High - Low	m3/h	610 - 300
Sound	Pressure High - Low	dB(A)	41 - 19
	Power High - Low	dB(A)	55 - 34
Unit	Height x Width x Depth	mm	300x987x210
	Weight	kg	11
Pipe Connection	Flare Connections (gas - liquid)	inch	3/8" - 1/4"
	Drain Pipe Connection OD/ID	mm	16/14
Remote controller			WH-UA01UE

Accessories			
<a href="#">RB-I4101-E</a>	Fabric Cover Kit (supplied loose)	Fabric Dark Gray	
<a href="#">RB-I4102-E</a>	Fabric Cover Kit (supplied loose)	Fabric Light Gray	
<a href="#">RB-I4103-E</a>	Fabric Cover Kit (supplied loose)	Fabric Bluish Gray	
<a href="#">RB-I4104-E</a>	Fabric Cover Kit (supplied loose)	Fabric Gray Beige	
<a href="#">RB-I4105-E</a>	Fabric Cover Kit (supplied loose)	Fabric Dark Brown	
<a href="#">RB-I4106-E</a>	Fabric Cover Kit (supplied loose)	Fabric Emerald Blue	

\*All [Accessories / Controls](#)

### Related Items:

- [BIM Files](#)
- [CAD Files](#)
- [Full Specification](#)
- [Airflow/ Fan Curve](#)
- [Dimensional Drawing](#)
- [Wiring Diagram](#)
- [Installation Manual](#)
- [Owners Manual](#)



## HAORI: RAS - B13N4KVRG-E

- Ultra quiet systems less than 19dB(A).
- Power supply to indoor or outdoor unit.
- Factory-integrated WI-FI with Energy monitoring.
- Fabrics with infinite possibilities , let your style be your guide.
- Toshiba Plasma Ionizer catches and neutralizes the contaminated particles.



Retail Price (interactive icons):




UK



ROI



Hi - Res Image 

### HIGH TIER PRODUCT RANGE

Performance			
Indoor Unit		RAS-	B13N4KVRG-E
Outdoor Unit		RAS-	<a href="#">13J2AVSG-E1</a>
Nominal	Cooling Capacity	kW	3.5
	Heating Capacity	kW	4.2
	EER/COP	W/W	4.38/3.89
UK	Cooling Total/Sensible	kW	3.42/2.64
	Heating	kW	2.54
Cooling EN14825	Range Min. - Max.	kW	1.00 - 4.10
	Power Input	kW	0.80
	Pdesign	kW	3.5
	SEER/Energy Efficiency Class		8.60/A+++
	Seasonal Energy Consumption	kWh/a	142
Heating EN14825	Range Min. - Max.	kW	1.00 - 5.30
	Power Input	kW	1.08
	Pdesign	kW	3.2
	SCOP/Energy Efficiency Class		5.10/A+++
	Seasonal Energy Consumption	kWh/a	876

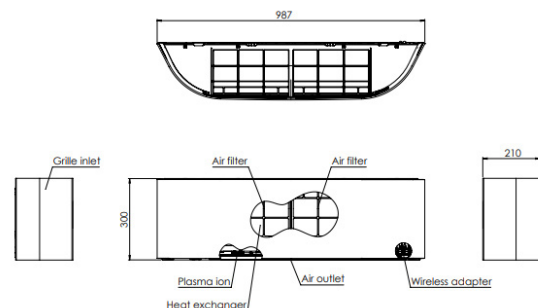
Indoor Data			
Air Flow	High - Low	l/s	189 - 89
	High - Low	m3/h	680 - 320
Sound	Pressure High - Low	dB(A)	43 - 19
	Power High - Low	dB(A)	57 - 34
Unit	Height x Width x Depth	mm	300x987x210
	Weight	kg	11
Pipe Connection	Flare Connections (gas - liquid)	inch	3/8" - 1/4"
	Drain Pipe Connection OD/ID	mm	16/14
Remote controller			WH-UA01UE

Accessories			
<a href="#">RB-I4101-E</a>	Fabric Cover Kit (supplied loose)	Fabric Dark Gray	
<a href="#">RB-I4102-E</a>	Fabric Cover Kit (supplied loose)	Fabric Light Gray	
<a href="#">RB-I4103-E</a>	Fabric Cover Kit (supplied loose)	Fabric Bluish Gray	
<a href="#">RB-I4104-E</a>	Fabric Cover Kit (supplied loose)	Fabric Gray Beige	
<a href="#">RB-I4105-E</a>	Fabric Cover Kit (supplied loose)	Fabric Dark Brown	
<a href="#">RB-I4106-E</a>	Fabric Cover Kit (supplied loose)	Fabric Emerald Blue	

\*All [Accessories / Controls](#)

### Related Items:

- [BIM Files](#)
- [CAD Files](#)
- [Full Specification](#)
- [Airflow/ Fan Curve](#)
- [Dimensional Drawing](#)
- [Wiring Diagram](#)
- [Installation Manual](#)
- [Owners Manual](#)



## HAORI: RAS - B16N4KVRG-E

- Ultra quiet systems less than 19dB(A).
- Power supply to indoor or outdoor unit.
- Factory-integrated WI-FI with Energy monitoring.
- Fabrics with infinite possibilities , let your style be your guide.
- Toshiba Plasma Ionizer catches and neutralizes the contaminated particles.



Retail Price (interactive icons):



UK



ROI



Hi - Res Image

### HIGH TIER PRODUCT RANGE

Performance		RAS-	B16N4KVRG-E
Indoor Unit		RAS-	B16N4KVRG-E
Outdoor Unit		RAS-	<a href="#">16J2AVSG-E1</a>
Nominal	Cooling Capacity	kW	4.6
	Heating Capacity	kW	5.5
	EER/COP	W/W	3.41/3.62
UK	Cooling Total/Sensible	kW	4.49/3.42
	Heating	kW	3.37
Cooling EN14825	Range Min. - Max.	kW	1.20 - 5.30
	Power Input	kW	1.35
	Pdesign	kW	4.6
	SEER/Energy Efficiency Class		7.80/A++
	Seasonal Energy Consumption	kWh/a	206
Heating EN14825	Range Min. - Max.	kW	1.10 - 6.30
	Power Input	kW	1.52
	Pdesign	kW	4.0
	SCOP/Energy Efficiency Class		4.60/A++
	Seasonal Energy Consumption	kWh/a	1214

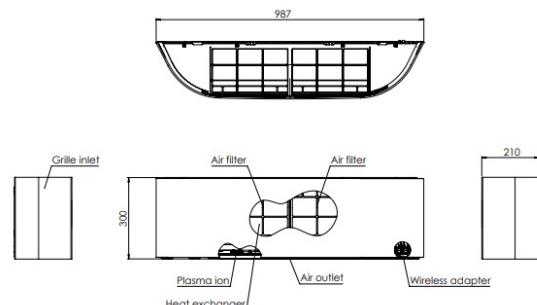
Indoor Data			
Air Flow	High - Low	l/s	202 - 94
	High - Low	m3/h	730 - 340
Sound	Pressure High - Low	dB(A)	45 - 22
	Power High - Low	dB(A)	59 - 37
Unit	Height x Width x Depth	mm	300x987x210
	Weight	kg	12
Pipe Connection	Flare Connections (gas - liquid)	inch	1/2" - 1/4"
	Drain Pipe Connection OD/ID	mm	16/14
Remote controller			WH-UA01UE

Accessories			
<a href="#">RB-I4101-E</a>	Fabric Cover Kit (supplied loose)	Fabric Dark Gray	
<a href="#">RB-I4102-E</a>	Fabric Cover Kit (supplied loose)	Fabric Light Gray	
<a href="#">RB-I4103-E</a>	Fabric Cover Kit (supplied loose)	Fabric Bluish Gray	
<a href="#">RB-I4104-E</a>	Fabric Cover Kit (supplied loose)	Fabric Gray Beige	
<a href="#">RB-I4105-E</a>	Fabric Cover Kit (supplied loose)	Fabric Dark Brown	
<a href="#">RB-I4106-E</a>	Fabric Cover Kit (supplied loose)	Fabric Emerald Blue	

\*All [Accessories / Controls](#)

### Related Items:

- [BIM Files](#)
- [CAD Files](#)
- [Full Specification](#)
- [Airflow/ Fan Curve](#)
- [Dimensional Drawing](#)
- [Wiring Diagram](#)
- [Installation Manual](#)
- [Owners Manual](#)



## HAORI: RAS - 10J2AVSG-E1 - 16J2AVSG-E1

- Power supply to indoor or outdoor unit.
- Outdoor unit silent operation down to 39 dB(A).
- WI-FI compatible with advanced energy monitoring.
- Energy Class A+++/A+++ cooling and heating modes.
- Toshiba Inverter and compressor technology with R32.



Hi - Res Image

Retail Price (interactive icons):



UK



ROI



### HIGH TIER PRODUCT RANGE

Performance		RAS-	10J2AVSG-E1	13J2AVSG-E1	16J2AVSG-E1
Outdoor Unit					
Operating Range	Cooling	C°	-15 ~ 46	-15 ~ 46	-15 ~ 46
	Heating		-15 ~ 24	-15 ~ 24	-15 ~ 24
Air Flow	High	m3/h - l/s	1890 - 524	1950 - 540	2040 - 566
Sound	Pressure High Cooling/Heating/Silent	dB(A)	44 - 46	46 - 48	48 - 50
	Power High Cooling/Heating/Silent	dB(A)	59 - 59	59 - 61	61 - 63
Unit	Height x Width x Depth	mm	550x780x290	550x780x290	550x780x290
	Weight	kg	26	30	33
Pipe Connection	Flare Connections (gas-liquid)	inch	3/8" - 1/4"	3/8" - 1/4"	1/2" - 1/4"
	Min.-Max. Length	m	2-20	2-20	2-20
	Maximum Height Difference	m	±12	±12	±12
	Drain Port Connection	mm	16	16	16
Refrigerant Charge	Base Charge/Chargeless Length	m	0.55/15	0.8/15	0.8/15
	Additional Charge	g/m	20	20	20
Run Current	Maximum	Amps	3.25	4.80	6.75
Power Cable	Outdoor to Indoor		3 core + earth	3 core + earth	3 core + earth
Power Supply	Suggested Fuse Size	V/ph/Hz-A	220-240/1/50-10	220-240/1/50-10	220-240/1/50-16

### Related Items - 10J2AVSG-E1:

- [Full Specification](#)
- [Dimensional Drawing](#)
- [Wiring Diagram](#)
- [Noise Curve Data](#)
- [Installation Manual](#)



### Related Items - 13J2AVSG-E1:

- [Full Specification](#)
- [Dimensional Drawing](#)
- [Wiring Diagram](#)
- [Noise Curve Data](#)
- [Installation Manual](#)

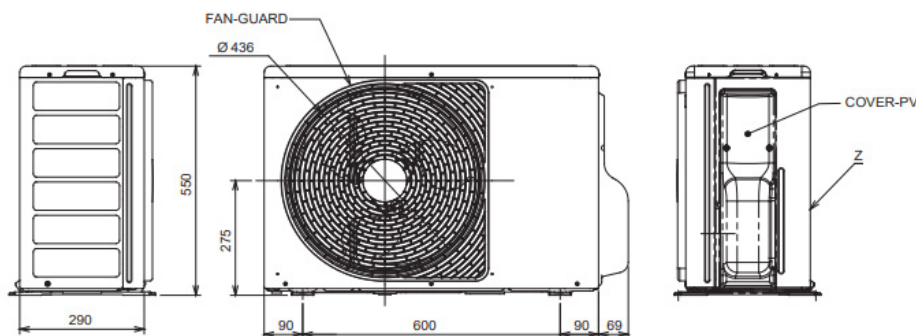


### Related Items - 16J2AVSG-E1:

- [Full Specification](#)
- [Dimensional Drawing](#)
- [Wiring Diagram](#)
- [Noise Curve Data](#)
- [Installation Manual](#)



\*All [Accessories / Controls](#)



# *DAISEIKAI 10*



## DAISEIKAI 10: RAS - B10S4KV\*G-E

- Power supply to indoor or outdoor unit.
- Wi-Fi built in with advanced energy monitoring.
- New smart sensing with thermo mapping technology.
- Provides outstanding performance even down to temperatures of -30°C.
- Daiseikai 10 epitomises reliability and durability with sustainability at its core.



Hi - Res Image

Retail Price (interactive icons):

- UK ROI WOOD
- UK ROI WHITE



### ELITE TIER PRODUCT RANGE

Performance			
Indoor Unit	White	RAS-	B10S4KVPG-E
Indoor Unit	Wood	RAS-	B10S4KVDG-E
Outdoor Unit		RAS-	<a href="#">10S4AVPG-E</a>
Nominal	Cooling Capacity	kW	2.5
	Heating Capacity	kW	3.2
	EER/COP	W/W	5.32/5.33
UK	Cooling Total/Sensible	kW	2.44/2.03
	Heating	kW	1.90
Cooling EN14825	Range Min. - Max.	kW	0.60 - 3.50
	Power Input	kW	0.47
	Pdesign	kW	2.5
	SEER/Energy Efficiency Class		10.70/A+++
	Seasonal Energy Consumption	kWh/a	82
Heating EN14825	Range Min. - Max.	kW	0.65 - 5.80
	Power Input	kW	0.60
	Pdesign	kW	3.0
	SCOP/Energy Efficiency Class		5.30/A+++
	Seasonal Energy Consumption	kWh/a	792

Indoor Data			
Air Flow	High - Low	l/s	208 - 83
	High - Low	m3/h	750 - 300
Sound	Pressure High - Low	dB(A)	41 - 25
	Power High - Low	dB(A)	55 - 40
Unit	Height x Width x Depth (White)	mm	293 x 930 x 255
	Height x Width x Depth (Wood)	mm	293 x 940 x 257
	Weight (White/Wood)	kg	14/16
Pipe Connection	Flare Connections (gas - liquid)	inch	3/8" - 1/4"
	Drain Pipe Connection OD/ID	mm	16/14
Remote controller	White		WH-UD02UE
Remote controller	Wood		WH-UD01UE

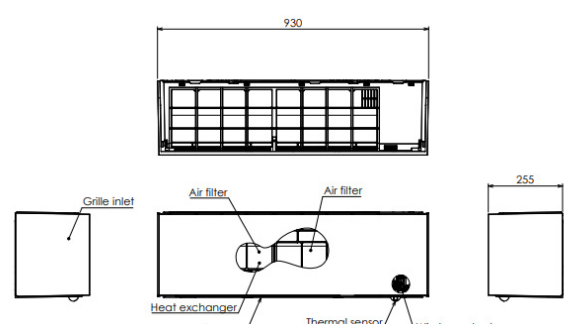
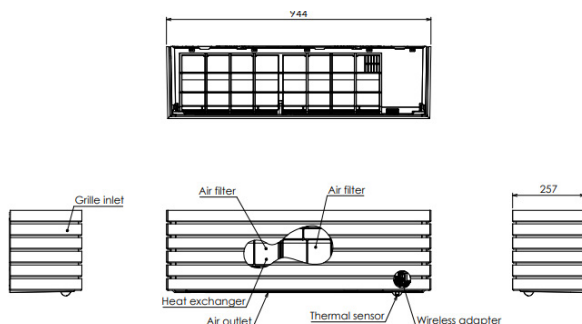
### Related Items - WOOD:

- [Full Specification](#)
- [Dimensional Drawing](#)
- [Wiring Diagram](#)



### Related Items - WHITE:

- [Full Specification](#)
- [Dimensional Drawing](#)
- [Wiring Diagram](#)
- [Installation Manual](#)



## DAISEIKAI 10: RAS - B13S4KVPG-E

- Power supply to indoor or outdoor unit.
- Wi-Fi built in with advanced energy monitoring.
- New smart sensing with thermo mapping technology.
- Provides outstanding performance even down to temperatures of -30°C.
- Daiseikai 10 epitomises reliability and durability with sustainability at its core.



Hi - Res Image

Retail Price (interactive icons):

- UK ROI WOOD  
 UK ROI WHITE



### ELITE TIER PRODUCT RANGE

Performance			
Indoor Unit	White	RAS-	B13S4KVPG-E
Indoor Unit	Wood	RAS-	B13S4KVDG-E
Outdoor Unit		RAS-	13S4AVPG-E
Nominal	Cooling Capacity	kW	3.5
	Heating Capacity	kW	4.0
	EER/COP	W/W	4.38/5.00
UK	Cooling Total/Sensible	kW	3.42/2.74
	Heating	kW	2.51
Cooling EN14825	Range Min. - Max.	kW	0.90 - 4.20
	Power Input	kW	0.80
	Pdesign	kW	3.5
	SEER/Energy Efficiency Class		9.70/A+++
	Seasonal Energy Consumption	kWh/a	126
Heating EN14825	Range Min. - Max.	kW	0.70 - 6.30
	Power Input	kW	.80
	Pdesign	kW	3.6
	SCOP/Energy Efficiency Class		5.20/A+++
	Seasonal Energy Consumption	kWh/a	969

Indoor Data			
Air Flow	High - Low	l/s	222 - 91
	High - Low	m3/h	800 - 330
Sound	Pressure High - Low	dB(A)	42 - 26
	Power High - Low	dB(A)	57 - 41
Unit	Height x Width x Depth (White)	mm	293 x 930 x 255
	Height x Width x Depth (Wood)	mm	293 x 940 x 257
	Weight (White/Wood)	kg	14/16
Pipe Connection	Flare Connections (gas - liquid)	inch	3/8" - 1/4"
	Drain Pipe Connection OD/ID	mm	16/14
Remote controller	White		WH-UD02UE
Remote controller	Wood		WH-UD01UE

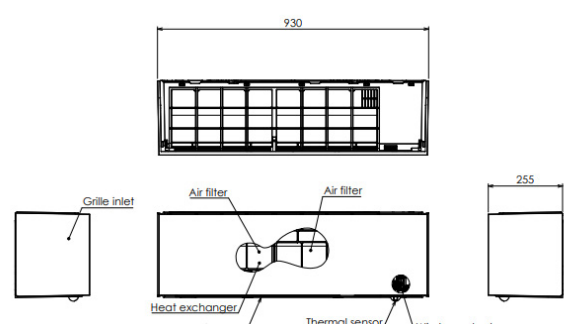
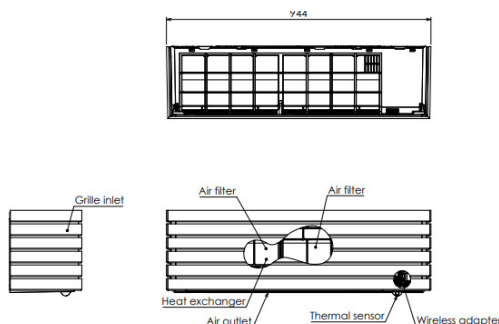
### Related Items - WOOD:

- [Full Specification](#)
- [Dimensional Drawing](#)
- [Wiring Diagram](#)



### Related Items - WHITE:

- [Full Specification](#)
- [Dimensional Drawing](#)
- [Wiring Diagram](#)
- [Installation Manual](#)



## DAISEIKAI 10: RAS - B18S4KVPG-E

- Power supply to indoor or outdoor unit.
- WI-FI built in with advanced energy monitoring.
- New smart sensing with thermo mapping technology.
- Provides outstanding performance even down to temperatures of -30°C.
- Daiseikai 10 epitomises reliability and durability with sustainability at its core.



Hi - Res Image



Retail Price (interactive icons):

- UK ROI WOOD
- UK ROI WHITE

### ELITE TIER PRODUCT RANGE

Performance				
Indoor Unit	White	RAS-	B18S4KVPG-E	
Indoor Unit	Wood	RAS-	B18S4KVDG-E	
Outdoor Unit		RAS-	<a href="#">18S4AVPG-E</a>	
Nominal	Cooling Capacity	kW	5.0	
	Heating Capacity	kW	6.0	
	EER/COP	W/W	3.57/4.14	
UK	Cooling Total/Sensible	kW	4.40/3.56	
	Heating	kW	3.43	
	Range Min. - Max.	kW	0.90 - 6.0	
Cooling EN14825	Power Input	kW	1.40	
	Pdesign	kW	5.0	
	SEER/Energy Efficiency Class			8.60/A+++
	Seasonal Energy Consumption	kWh/a		203
Heating EN14825	Range Min. - Max.	kW	0.80 - 7.20	
	Power Input	kW	1.45	
	Pdesign	kW	4.5	
	SCOP/Energy Efficiency Class			4.80/A++
	Seasonal Energy Consumption	kWh/a		1312

Indoor Data			
Air Flow	High - Low	l/s	225 - 2
	High - Low	m3/h	810 - 37
Sound	Pressure High - Low	dB(A)	45 - 26
	Power High - Low	dB(A)	59 - 41
Unit	Height x Width x Depth (White)	mm	293 x 930 x 255
	Height x Width x Depth (Wood)	mm	293 x 940 x 257
	Weight (White/Wood)	kg	14/16
Pipe Connection	Flare Connections (gas - liquid)	inch	1/2" - 1/4"
	Drain Pipe Connection OD/ID	mm	16/14
Remote controller	White		WH-UD02UE
Remote controller	Wood		WH-UD01UE

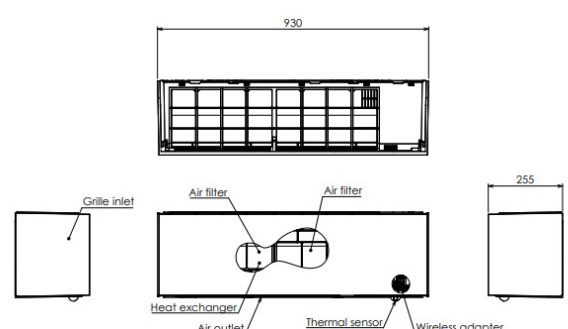
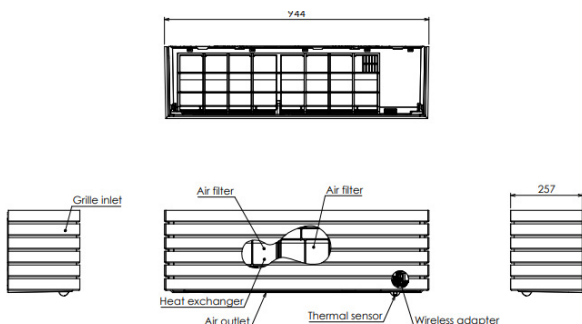
### Related Items - WOOD:

- [Full Specification](#)
- [Dimensional Drawing](#)
- [Wiring Diagram](#)



### Related Items - WHITE:

- [Full Specification](#)
- [Dimensional Drawing](#)
- [Wiring Diagram](#)



## DAISEIKAI 10: RAS - 10S4AVPG-E - B18S4KVPG-E

- Supports energy monitoring.
- High efficiency SCOP/SEER A+++.
- Power supply to indoor or outdoor unit.
- DAISEIKAI 10 epitomizes reliability and durability.
- Outstanding performances even down to -30°C.



Hi - Res Image

Retail Price (interactive icons):



ELITE TIER PRODUCT RANGE					
Performance					
Outdoor Unit		RAS-	10S4AVPG-E	13S4AVPG-E	18S4AVPG-E
Operating Range	Cooling	C°	-15 ~ 46	-15 ~ 46	-15 ~ 46
	Heating		-20 ~ 24	-20 ~ 24	-20 ~ 24
Air Flow	High	m3/h - l/s	2100 - 583	2160 - 600	2220 - 616
Sound	Pressure High Cooling/Heating/Silent	dB(A)	44 / 45 / 41	45 / 46 / 42	47 / 49 / 44
	Power High Cooling/Heating/Silent	dB(A)	57 / 58 / 54	58 / 59 / 55	60 / 62 / 57
Unit	Height x Width x Depth	mm	630 x 800 x 300	630 x 800 x 300	630 x 800 x 300
	Weight	kg	38	38	38
Pipe Connection	Flare Connections (gas-liquid)	inch	3/8" - 1/4"	3/8" - 1/4"	1/2" - 1/4"
	Min.-Max. Length	m	2-25	2-25	2-25
	Maximum Height Difference	m	±15	±15	±15
	Drain Port Connection	mm	16	16	16
Refrigerant Charge	Base Charge/Chargeless Length	m	1.0/15	1.0/15	1.0/15
	Additional Charge	g/m	20	20	20
Run Current	Maximum	Amps	3.40	4.01	6.44
Power Cable	Outdoor to Indoor		3 core + earth	3 core + earth	3 core + earth
Power Supply	Suggested Fuse Size	V/ph/Hz-A	220-240/1/50-10	220-240/1/50-10	220-240/1/50-16

### Related Items - 10S4AVPG-E:

- [Dimensional Drawing](#)
- [Wiring Diagram](#)



### Related Items - 13S4AVPG-E:

- [Dimensional Drawing](#)
- [Wiring Diagram](#)

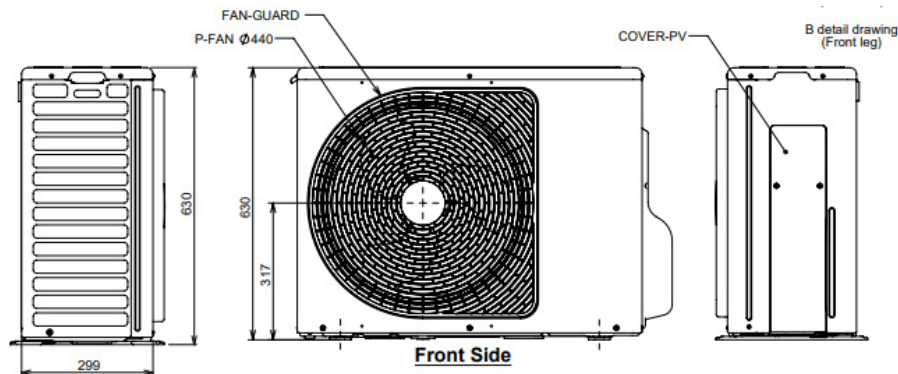


### Related Items - 18S4AVPG-E:

- [Dimensional Drawing](#)
- [Wiring Diagram](#)



\*All [Accessories / Controls](#)




# Bi-Flow



## BI-FLOW: RAS - B10J2FVG-E

- Easily blends into any decor.
- Wi-Fi available when utilising adapter.
- Compact design suitable for under window ledges.
- Floor mounted design to ensure perfect air distribution.
- Provides optimum comfort with A++ in heating and cooling.



Hi - Res Image 

Retail Price (interactive icons):



UK



ROI



Performance				
Indoor Unit		RAS-	B10J2FVG-E	
Outdoor Unit		RAS-	10J2AVSG-E1	
Nominal	Cooling Capacity	kW	2.5	
	Heating Capacity	kW	3.2	
	EER/COP	W/W	4.24/3.90	
UK	Cooling Total/Sensible	kW	2.44/2.03	
	Heating	kW	1.90	
	Range Min. - Max.	kW	0.95 - 3.2	
Cooling EN14825	Power Input	kW	0.59	
	Pdesign	kW	2.5	
	SEER/Energy Efficiency Class			7.20/A++
	Seasonal Energy Consumption	kWh/a		121
	Range Min. - Max.	kW		0.85 - 4.40
Heating EN14825	Power Input	kW	0.82	
	Pdesign	kW	2.5	
	SCOP/Energy Efficiency Class			4.70/A++
	Seasonal Energy Consumption	kWh/a		744
	Range Min. - Max.	kW		0.85 - 4.40

Indoor Data			
Air Flow	High - Low	l/s	136 - 71
	High - Low	m3/h	492 - 258
Sound	Pressure High - Low	dB(A)	39 - 23
	Power High - Low	dB(A)	54 - 38
Unit	Height x Width x Depth	mm	600 x 700 x 220
	Weight	kg	16
Pipe Connection	Flare Connections (gas - liquid)	inch	3/8" - 1/4"
	Drain Pipe Connection OD/ID	mm	16/14
Remote controller			WH-TA 12LE

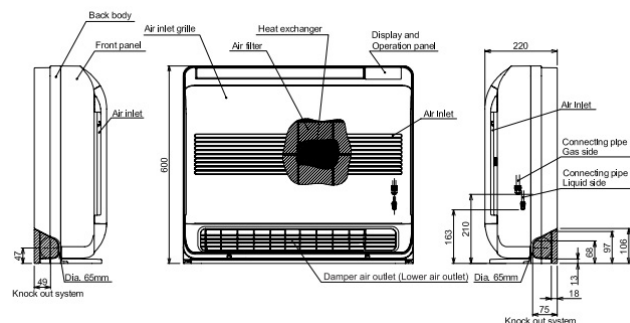
### Accessories

<a href="#">RB-1301-E</a>	Refrigerant Leak detection sensor
<a href="#">RB-N106S-G</a>	Wireless adapter with Cable

\*All [Accessories / Controls](#)

### Related Items:

- [BIM Files](#)
- [CAD Files](#)
- [Full Specification](#)
- [Airflow/ Fan Curve](#)
- [Dimensional Drawing](#)
- [Wiring Diagram](#)
- [Installation Manual](#)
- [Owners Manual](#)



## BI-FLOW: RAS - B13J2FVG-E

- Easily blends into any decor.
- Wi-Fi available when utilising adapter.
- Compact design suitable for under window ledges.
- Floor mounted design to ensure perfect air distribution.
- Provides optimum comfort with A++ in heating and cooling.



Hi - Res Image

Retail Price (interactive icons):



UK



ROI



### Performance

Indoor Unit		RAS-	B13J2FVG-E
Outdoor Unit		RAS-	<a href="#">13J2AVSG-E1</a>
Nominal	Cooling Capacity	kW	3.5
	Heating Capacity	kW	4.2
	EER/COP	W/W	4.02/3.31
UK	Cooling Total/Sensible	kW	3.42/2.74
	Heating	kW	2.51
	Range Min. - Max.	kW	1.05 - 4.1
Cooling EN14825	Power Input	kW	0.87
	Pdesign	kW	3.5
	SEER/Energy Efficiency Class		7.00/A++
	Seasonal Energy Consumption	kWh/a	174
Heating EN14825	Range Min. - Max.	kW	1.0 - 5.0
	Power Input	kW	1.27
	Pdesign	kW	3.0
	SCOP/Energy Efficiency Class		4.70/A++
	Seasonal Energy Consumption	kWh/a	893

### Indoor Data

Air Flow	High - Low	l/s	153 - 75
	High - Low	m3/h	552 - 270
Sound	Pressure High - Low	dB(A)	40 - 24
	Power High - Low	dB(A)	55 - 39
Unit	Height x Width x Depth	mm	600 x 700 x 220
	Weight	kg	16
Pipe Connection	Flare Connections (gas - liquid)	inch	3/8" - 1/4"
	Drain Pipe Connection OD/ID	mm	16/14
Remote controller			WH-TA12LE

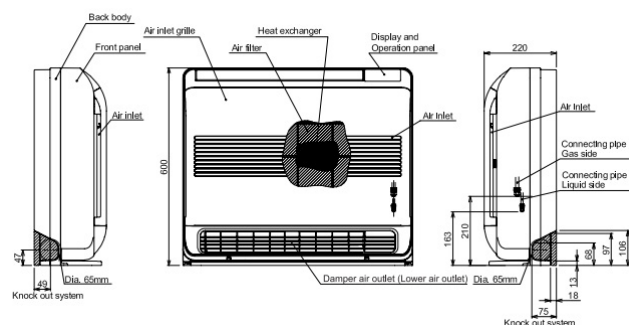
### Accessories

<a href="#">RB-1301-E</a>	Refrigerant Leak detection sensor
<a href="#">RB-N106S-G</a>	Wireless adapter with Cable

\*All [Accessories / Controls](#)

### Related Items:


- [BIM Files](#)
- [CAD Files](#)
- [Full Specification](#)
- [Airflow/ Fan Curve](#)
- [Dimensional Drawing](#)
- [Wiring Diagram](#)
- [Installation Manual](#)
- [Owners Manual](#)



## BI-FLOW: RAS - B18J2FVG-E

- Easily blends into any decor.
- Wi-Fi available when utilising adapter.
- Compact design suitable for under window ledges.
- Floor mounted design to ensure perfect air distribution.
- Provides optimum comfort with A++ in heating and cooling.



Hi - Res Image 

Retail Price (interactive icons):



UK



ROI



Performance			
Indoor Unit		RAS-	B18J2FVG-E
Outdoor Unit		RAS-	18J2AVSG-E1
Nominal	Cooling Capacity	kW	5.0
	Heating Capacity	kW	6.0
	EER/COP	W/W	2.98/2.93
UK	Cooling Total/Sensible	kW	4.40/3.56
	Heating	kW	3.43
	Range Min. - Max.	kW	1.2 - 5.6
Cooling EN14825	Power Input	kW	1.68
	Pdesign	kW	5.0
	SEER/Energy Efficiency Class		6.80/A++
	Seasonal Energy Consumption	kWh/a	257
	Range Min. - Max.	kW	1.3 - 6.3
Heating EN14825	Power Input	kW	2.05
	Pdesign	kW	4.0
	SCOP/Energy Efficiency Class		4.60/A++
	Seasonal Energy Consumption	kWh/a	1217
	Range Min. - Max.	kW	1.3 - 6.3

Indoor Data			
Air Flow	High - Low	l/s	183 - 101
	High - Low	m3/h	660 - 366
Sound	Pressure High - Low	dB(A)	47 - 31
	Power High - Low	dB(A)	61 - 46
Unit	Height x Width x Depth	mm	600 x 700 x 220
	Weight	kg	16
Pipe Connection	Flare Connections (gas - liquid)	inch	1/2" - 1/4"
	Drain Pipe Connection OD/ID	mm	16/14
Remote controller			WH-TA 12LE

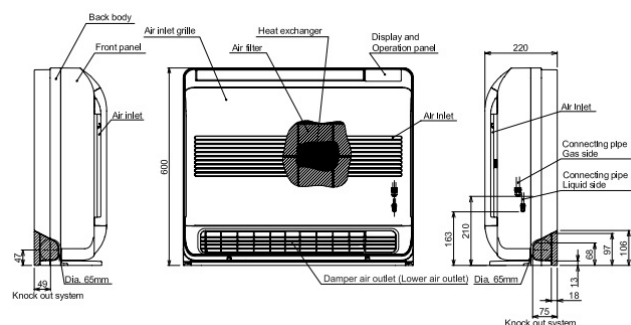
### Accessories

<a href="#">RB-1301-E</a>	Refrigerant Leak detection sensor
<a href="#">RB-N106S-G</a>	Wireless adapter with Cable

\*All [Accessories / Controls](#)

### Related Items:

- [BIM Files](#)
- [CAD Files](#)
- [Full Specification](#)
- [Airflow/ Fan Curve](#)
- [Dimensional Drawing](#)
- [Wiring Diagram](#)
- [Installation Manual](#)
- [Owners Manual](#)



## BI-FLOW: RAS - 10J2AVSG-E1 - 18J2AVSG-E1

- Auto-diagnosis function.
- Compact and light weight (34Kg).
- Outdoor unit silent operation down to 38 dB(A).
- Energy Class A++/A++ cooling and heating modes.
- Toshiba Inverter and compressor technology with R32.



Hi - Res Image

Retail Price (interactive icons):



UK



ROI



Performance					
Outdoor Unit		RAS-	10J2AVSG-E1	13J2AVSG-E1	18J2AVSG-E1
Operating Range	Cooling	C°	-15 ~ 46	-15 ~ 46	-15 ~ 46
	Heating		-15 ~ 24	-15 ~ 24	-15 ~ 24
Air Flow	High	m3/h - l/s	1890 - 524	1950 - 540	2076 - 576
Sound	Pressure High Cooling/Heating/Silent	dB(A)	45 / 47 / 38	47 / 49 / 40	49 / 51 / 43
	Power High Cooling/Heating/Silent	dB(A)	58 / 60 / 51	60 / 62 / 53	62 / 64 / 56
Unit	Height x Width x Depth	mm	550x780x290	550x780x290	550x780x290
	Weight	kg	26	30	34
Pipe Connection	Flare Connections (gas-liquid)	inch	3/8" - 1/4"	3/8" - 1/4"	1/2" - 1/4"
	Min.-Max. Length	m	2-20	2-20	2-20
	Maximum Height Difference	m	±12	±12	±12
	Drain Port Connection	mm	16	16	16
Refrigerant Charge	Base Charge/Chargeless Length	m	0.55/15	0.80/15	1.1/15
	Additional Charge	g/m	20	20	20
Run Current	Maximum	Amps	3.97	5.22	8.05
Power Cable	Outdoor to Indoor		3 core + earth	3 core + earth	3 core + earth
Power Supply	Suggested Fuse Size	V/ph/Hz-A	220-240/1/50-10	220-240/1/50-10	220-240/1/50-16

### Related Items - 10J2AVSG-E1:

- [BIM Files](#)
- [Full Specification](#)
- [Dimensional Drawing](#)
- [Wiring Diagram](#)
- [Noise Curve Data](#)
- [Installation Manual](#)



### Related Items - 13J2AVSG-E1:

- [BIM Files](#)
- [Full Specification](#)
- [Dimensional Drawing](#)
- [Wiring Diagram](#)
- [Noise Curve Data](#)
- [Installation Manual](#)

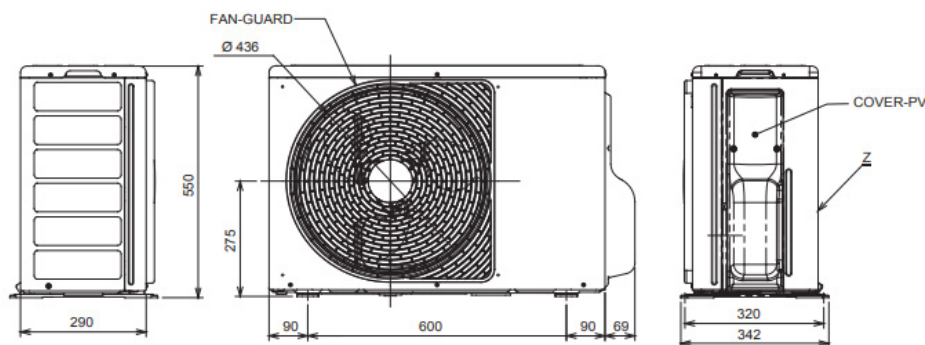


### Related Items - 18J2AVSG-E1:

- [BIM Files](#)
- [Full Specification](#)
- [Dimensional Drawing](#)
- [Wiring Diagram](#)
- [Noise Curve Data](#)
- [Installation Manual](#)



\*All [Accessories / Controls](#)





## MULTI: RAS - 2M10G3AVG-E

- Supports Wi-Fi control.
- Best in class energy efficiency A++ / A++.
- Dyna Doctor port for easy service connection.
- Supports energy monitoring on compatible indoor units.
- New compact outdoor unit size for 2M10 and 2M14 models.



Retail Price (interactive icons):




UK



ROI



Hi - Res Image 

Performance		RAS-	2M10G3AVG-E
Outdoor Unit			
Indoor Units Connected		Min.-Max.	2-2
Capacity Code	2 x Indoor Connection	Min.-Max.	10-20
	3+ Indoor Connection	Min.-Max.	-
Nominal	Cooling Capacity	kW	3.3
	Heating Capacity	kW	4.0
	EER/COP	W/W	4.93 / 4.71
Cooling EN14825	Range Min. - Max.	kW	1.20 - 4.1
	Power Input	kW	0.67
	Pdesign	kW	3.3
	SEER/Energy Efficiency Class		8.6 / A+++
	Seasonal Energy Consumption	kWh/a	169
Heating EN14825	Range Min. - Max.	kW	1.00 - 4.90
	Power Input	kW	0.85
	Pdesign	kW	2.7
	SCOP/Energy Efficiency Class		4.7 / A++
	Seasonal Energy Consumption	kWh/a	805

Outdoor Data			
Operating Range	Cooling	°C	-10/46
	Heating		-20/24
Air Flow	High	m3/h - l/s	2100-583
	Pressure High/Low		dB(A)
Sound	Power High	dB(A)	64
	Height x Width x Depth	mm	550 x 780 x 290
Unit	Weight	kg	31
	Flare Connections (gas - liquid)	inch	3/8" x 2 - 1/4" x 2
Pipe Connection	Min.-Max. Length	m	2-20
	Maximum Pipe Length Per Unit	m	15
	Maximum Height Difference	m	10
	Drain Port Connection	mm	16
Refrigerant R32	Base Charge/Chargeless Length	m	0.8 / 20
	Additional Charge	g/m	0
Run Current	Maximum	Amps	4.90
Power Cable	Outdoor to Indoor		3 core + earth
Power Supply	Suggested Fuse Size	V/ph/Hz-A	220-240/1/50-10

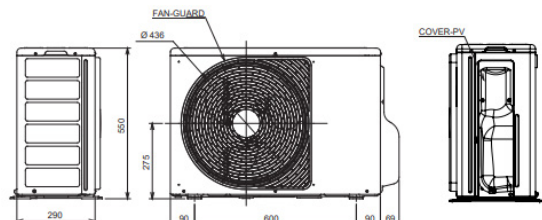
RAS Indoor Model	Cooling kW	Heating kW	SEIYA*	SHORAI EDGE B&W*	HAORI*	DAISEIKAI 10*	CONSOLE*	CASSETTE**	Ducted**
05	1.5	2.0	✓	✗	✗	✗	✗	✗	✗
07	2.0	2.7	✓	✗	✗	✗	✗	✗	✓
10	2.7	4.0	✓	✓	✓	✓	✓	✓	✓
13	3.7	5.0	✓	✓	✓	✓	✓	✓	✓
16	4.5	5.5	✓	✓	✓	✗	✗	✓	✓
18	5.0	6.0	✓	✓	✗	✓	✓	✗	✗
22	6.0	7.0	✗	✓	✗	✗	✗	✗	✓
24	7.1	8.1	✓	✓	✗	✗	✗	✗	✓

✓ Available  
✗ Not available

\*All Accessories / Controls

Related Items:

- [Full Specification](#)
- [Dimensional Drawing](#)
- [Wiring Diagram](#)
- [Combinations](#)
- [Noise Curve Data](#)
- [Installation Manual](#)



## MULTI: RAS - 2M14G3AVG-E

- Supports Wi-Fi control.
- Best in class energy efficiency A++ / A++.
- Dyna Doctor port for easy service connection.
- Supports energy monitoring on compatible indoor units.
- New compact outdoor unit size for 2M10 and 2M14 models.



Hi - Res Image

Retail Price (interactive icons):



UK



ROI



### Performance

Outdoor Unit		RAS-	2M14G3AVG-E
Indoor Units Connected		Min.-Max.	2-2
Capacity Code	2 x Indoor Connection	Min.-Max.	10-26
	3+ Indoor Connection	Min.-Max.	-
Nominal	Cooling Capacity	kW	4.0
	Heating Capacity	kW	4.4
	EER/COP	W/W	4.71 / 4.89
Cooling EN14825	Range Min. - Max.	kW	1.5 - 4.9
	Power Input	kW	0.85
	Pdesign	kW	4.0
	SEER/Energy Efficiency Class		8.7 / A+++
	Seasonal Energy Consumption	kWh/a	169
Heating EN14825	Range Min. - Max.	kW	1.00 - 5.20
	Power Input	kW	0.90
	Pdesign	kW	3.1
	SCOP/Energy Efficiency Class		4.8 / A++
	Seasonal Energy Consumption	kWh/a	904

### Outdoor Data

Operating Range	Cooling	°C	-10/46
	Heating		-20/24
Air Flow	High	m3/h - l/s	2250-625
	Pressure High/Low		dB(A)
Sound	Power High	dB(A)	65
	Height x Width x Depth	mm	550 x 780 x 290
Unit	Weight	kg	35
	Flare Connections (gas - liquid)	inch	3/8" x 2 - 1/4" x 2
Pipe Connection	Min.-Max. Length	m	2-30
	Maximum Pipe Length Per Unit	m	20
	Maximum Height Difference	m	10
	Drain Port Connection	mm	16
Refrigerant R32	Base Charge/Chargeless Length	m	0.95 / 30
	Additional Charge	g/m	0
Run Current	Maximum	Amps	5.20
Power Cable	Outdoor to Indoor		3 core + earth
Power Supply	Suggested Fuse Size	V/ph/Hz-A	220-240/1/50-10

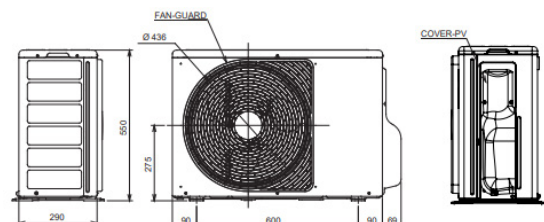
RAS Indoor Model	Cooling kW	Heating kW	SEIYA*	SHORAI EDGE B&W*	HAORI*	DAISEIKAI 10*	CONSOLE*	CASSETTE**	Ducted**
05	1.5	2.0	✓	✗	✗	✗	✗	✗	✗
07	2.0	2.7	✓	✗	✗	✗	✗	✗	✓
10	2.7	4.0	✓	✓	✓	✓	✓	✓	✓
13	3.7	5.0	✓	✓	✓	✓	✓	✓	✓
16	4.5	5.5	✓	✓	✓	✗	✗	✓	✓
18	5.0	6.0	✓	✓	✗	✓	✓	✗	✗
22	6.0	7.0	✗	✓	✗	✗	✗	✗	✓
24	7.1	8.1	✓	✓	✗	✗	✗	✗	✓

✓ Available

✗ Not available

\*All Accessories / Controls  
Related Items:

- [Full Specification](#)
- [Dimensional Drawing](#)
- [Wiring Diagram](#)
- [Combinations](#)
- [Noise Curve Data](#)
- [Installation Manual](#)



## MULTI: RAS - 2M18G3AVG-E

- Supports Wi-Fi control.
- Best in class energy efficiency A++ / A++.
- Dyna Doctor port for easy service connection.
- Supports energy monitoring on compatible indoor units.
- New compact outdoor unit size for 2M10 and 2M14 models.



Retail Price (interactive icons):



UK



ROI



Hi - Res Image

Performance		RAS-	2M18G3AVG-E
Outdoor Unit			
Indoor Units Connected		Min.-Max.	2-2
Capacity Code	2 x Indoor Connection	Min.-Max.	10-32
	3+ Indoor Connection	Min.-Max.	-
Nominal	Cooling Capacity	kW	5.2
	Heating Capacity	kW	5.6
	EER/COP	W/W	4.33 / 4.91
Cooling EN14825	Range Min. - Max.	kW	1.6 - 6.5
	Power Input	kW	1.20
	Pdesign	kW	5.2
	SEER/Energy Efficiency Class		8.7 / A+++
	Seasonal Energy Consumption	kWh/a	243
Heating EN14825	Range Min. - Max.	kW	1.30 - 8.20
	Power Input	kW	1.14
	Pdesign	kW	3.2
	SCOP/Energy Efficiency Class		4.8 / A++
	Seasonal Energy Consumption	kWh/a	914

Outdoor Data			
Operating Range	Cooling	°C	-10/46
	Heating		-20/24
Air Flow	High	m3/h - l/s	2600-722
Sound	Pressure High/Low	dB(A)	50/44
	Power High	dB(A)	63
Unit	Height x Width x Depth	mm	630 x 800 x 300
	Weight	kg	43
Pipe Connection	Flare Connections (gas - liquid)	inch	3/8" x 2 - 1/4" x 2
	Min.-Max. Length	m	2-30
	Maximum Pipe Length Per Unit	m	20
	Maximum Height Difference	m	10
Refrigerant R32	Drain Port Connection	mm	16
	Base Charge/Chargeless Length	m	1.2 / 30
Run Current	Additional Charge	g/m	0
	Maximum	Amps	8.20
Power Cable	Outdoor to Indoor		3 core + earth
Power Supply	Suggested Fuse Size	V/ph/Hz-A	220-240/1/50-16

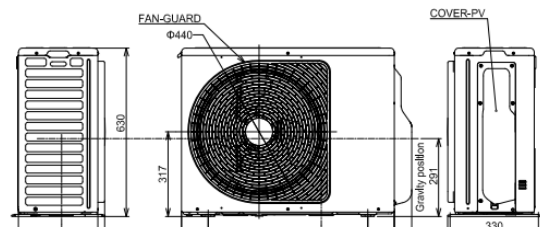
RAS Indoor Model	Cooling kW	Heating kW	SEIYA*	SHORAI EDGE B&W*	HAORI*	DAISEIKAI 10*	CONSOLE*	CASSETTE**	Ducted**
05	1.5	2.0	✓	✗	✗	✗	✗	✗	✗
07	2.0	2.7	✓	✗	✗	✗	✗	✗	✓
10	2.7	4.0	✓	✓	✓	✓	✓	✓	✓
13	3.7	5.0	✓	✓	✓	✓	✓	✓	✓
16	4.5	5.5	✓	✓	✓	✗	✗	✓	✓
18	5.0	6.0	✓	✓	✗	✓	✓	✗	✗
22	6.0	7.0	✗	✓	✗	✗	✗	✗	✓
24	7.1	8.1	✓	✓	✗	✗	✗	✗	✓

✓ Available  
✗ Not available

\*All Accessories / Controls

Related Items:

- [Full Specification](#)
- [Dimensional Drawing](#)
- [Wiring Diagram](#)
- [Combinations](#)
- [Noise Curve Data](#)
- [Installation Manual](#)



## MULTI: RAS - 3M18G3AVG-E

- Supports WI-FI control.
- Best in class energy efficiency A++ / A++.
- Dyna Doctor port for easy service connection.
- Supports energy monitoring on compatible indoor units.
- New compact outdoor unit size for 2M10 and 2M14 models.



Hi - Res Image

Retail Price (interactive icons):



UK



ROI



Performance		RAS-	3M18G3AVG-E
Outdoor Unit			
Indoor Units Connected		Min.-Max.	2-3
Capacity Code	2 x Indoor Connection	Min.-Max.	10-32
	3+ Indoor Connection	Min.-Max.	10-36
Nominal	Cooling Capacity	kW	5.2
	Heating Capacity	kW	6.8
	EER/COP	W/W	5.2 / 4.69
Cooling EN14825	Range Min. - Max.	kW	2.0 - 7.5
	Power Input	kW	1.00
	Pdesign	kW	5.2
	SEER/Energy Efficiency Class		8.6 / A+++
	Seasonal Energy Consumption	kWh/a	262
Heating EN14825	Range Min. - Max.	kW	1.90 - 8.30
	Power Input	kW	1.45
	Pdesign	kW	3.5
	SCOP/Energy Efficiency Class		4.8 / A++
	Seasonal Energy Consumption	kWh/a	1021

Outdoor Data				
Operating Range	Cooling	°C	-10/46	
	Heating		-20/24	
Air Flow	High	m3/h - l/s	2800-778	
	Pressure High/Low		dB(A)	52/46
Sound	Power High	65		
	Unit	Height x Width x Depth	mm	630 x 800 x 300
Weight		kg		44
Pipe Connection	Flare Connections (gas - liquid)	inch	3/8" x 2 + 1/2" x 1 - 1/4" x 3	
	Min.-Max. Length		m	2-50
	Maximum Pipe Length Per Unit		m	25
	Maximum Height Difference		m	10
Refrigerant R32	Drain Port Connection	mm	16	
	Base Charge/Chargeless Length	m	1.25 / 50	
	Additional Charge		g/m	20
Run Current	Maximum	Amps	6.98	
Power Cable	Outdoor to Indoor		3 core + earth	
Power Supply	Suggested Fuse Size	V/ph/Hz-A	220-240/1/50-16	

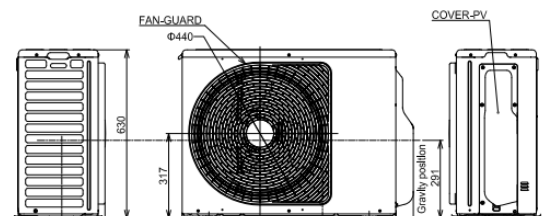
RAS Indoor Model	Cooling kW	Heating kW	SEIYA*	SHORAI EDGE B&W*	HAORI*	DAISEIKAI 10*	CONSOLE*	CASSETTE**	Ducted**
05	1.5	2.0	✓	✗	✗	✗	✗	✗	✗
07	2.0	2.7	✓	✗	✗	✗	✗	✗	✓
10	2.7	4.0	✓	✓	✓	✓	✓	✓	✓
13	3.7	5.0	✓	✓	✓	✓	✓	✓	✓
16	4.5	5.5	✓	✓	✓	✗	✗	✓	✓
18	5.0	6.0	✓	✓	✗	✓	✓	✗	✗
22	6.0	7.0	✗	✓	✗	✗	✗	✗	✓
24	7.1	8.1	✓	✓	✗	✗	✗	✗	✓

✓ Available  
✗ Not available

\*All Accessories / Controls

Related Items:

- [Full Specification](#)
- [Dimensional Drawing](#)
- [Wiring Diagram](#)
- [Combinations](#)
- [Noise Curve Data](#)
- [Installation Manual](#)



## MULTI: RAS - 3M26G3AVG-E

- Supports Wi-Fi control.
- Best in class energy efficiency A++ / A+++.
- Dyna Doctor port for easy service connection.
- Supports energy monitoring on compatible indoor units.
- New compact outdoor unit size for 2M10 and 2M14 models.



Hi - Res Image

Retail Price (interactive icons):



UK



ROI



Performance		RAS-	3M26G3AVG-E
Outdoor Unit			
Indoor Units Connected		Min.-Max.	2-3
Capacity Code	2 x Indoor Connection	Min.-Max.	10-42
	3+ Indoor Connection	Min.-Max.	10-54
Nominal	Cooling Capacity	kW	7.5
	Heating Capacity	kW	9.0
	EER/COP	W/W	4 / 4.35
Cooling EN14825	Range Min. - Max.	kW	2.0 - 9.0
	Power Input	kW	1.75
	Pdesign	kW	7.5
	SEER/Energy Efficiency Class		8.5 / A+++
	Seasonal Energy Consumption	kWh/a	340
Heating EN14825	Range Min. - Max.	kW	2.0 - 11.5
	Power Input	kW	2.00
	Pdesign	kW	5.2
	SCOP/Energy Efficiency Class		4.6 / A++
	Seasonal Energy Consumption	kWh/a	1583

Outdoor Data			
Operating Range	Cooling	°C	-10/46
	Heating		-20/24
Air Flow	High	m3/h - l/s	3700-1028
Sound	Pressure High/Low	dB(A)	53/45
	Power High		66
Unit	Height x Width x Depth	mm	890 x 900 x 320
	Weight		kg
Pipe Connection	Flare Connections (gas - liquid)	inch	3/8" x 1 + 1/2" x 2 - 1/4" x 3
	Min.-Max. Length	m	3-70
	Maximum Pipe Length Per Unit	m	25
	Maximum Height Difference	m	15
Refrigerant R32	Drain Port Connection	mm	16
	Base Charge/Chargeless Length	m	1.9 / 40
	Additional Charge	g/m	20
Run Current	Maximum	Amps	9.57
Power Cable	Outdoor to Indoor		3 core + earth
Power Supply	Suggested Fuse Size	V/ph/Hz-A	220-240/1/50-16

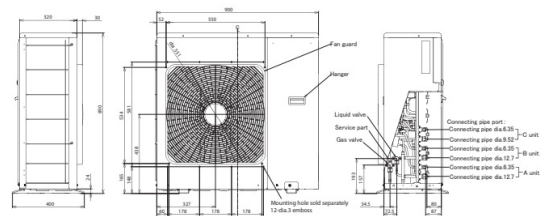
RAS Indoor Model	Cooling kW	Heating kW	SEIYA*	SHORAI EDGE B&W*	HAORI*	DAISEIKAI 10*	CONSOLE*	CASSETTE**	Ducted**
05	1.5	2.0	✓	✗	✗	✗	✗	✗	✗
07	2.0	2.7	✓	✗	✗	✗	✗	✗	✓
10	2.7	4.0	✓	✓	✓	✓	✓	✓	✓
13	3.7	5.0	✓	✓	✓	✓	✓	✓	✓
16	4.5	5.5	✓	✓	✓	✗	✗	✓	✓
18	5.0	6.0	✓	✓	✗	✓	✓	✗	✗
22	6.0	7.0	✗	✓	✗	✗	✗	✗	✓
24	7.1	8.1	✓	✓	✗	✗	✗	✗	✓

✓ Available  
✗ Not available

\*All Accessories / Controls

Related Items:

- [Full Specification](#)
- [Dimensional Drawing](#)
- [Wiring Diagram](#)
- [Combinations](#)
- [Noise Curve Data](#)
- [Installation Manual](#)



## MULTI: RAS - 4M27G3AVG-E

- Supports Wi-Fi control.
- Best in class energy efficiency A++ / A++.
- Dyna Doctor port for easy service connection.
- Supports energy monitoring on compatible indoor units.
- New compact outdoor unit size for 2M10 and 2M14 models.



Hi - Res Image

Retail Price (interactive icons):



UK



ROI



Performance		RAS-	4M27G3AVG-E
Outdoor Unit			
Indoor Units Connected		Min.-Max.	2-4
Capacity Code	2 x Indoor Connection	Min.-Max.	10-42
	3+ Indoor Connection	Min.-Max.	10-54
Nominal	Cooling Capacity	kW	8.0
	Heating Capacity	kW	9.0
	EER/COP	W/W	4.21 / 4.74
Cooling EN14825	Range Min. - Max.	kW	2.0 - 10.0
	Power Input	kW	1.90
	Pdesign	kW	8.0
	SEER/Energy Efficiency Class		8.3 / A++
	Seasonal Energy Consumption	kWh/a	406
Heating EN14825	Range Min. - Max.	kW	2.0 - 12.0
	Power Input	kW	1.90
	Pdesign	kW	5.2
	SCOP/Energy Efficiency Class		4.5 / A+
	Seasonal Energy Consumption	kWh/a	1617

Outdoor Data			
Operating Range	Cooling	°C	-10/46
	Heating		-20/24
Air Flow	High	m <sup>3</sup> /h - l/s	3700-1028
Sound	Pressure High/Low	dB(A)	54/45
	Power High	dB(A)	67
Unit	Height x Width x Depth	mm	890 x 900 x 320
	Weight	kg	68
Pipe Connection	Flare Connections (gas - liquid)	inch	3/8" x 2 + 1/2" x 2 - 1/4" x 4
	Min.-Max. Length	m	3-70
	Maximum Pipe Length Per Unit	m	25
	Maximum Height Difference	m	15
Refrigerant R32	Drain Port Connection	mm	16
	Base Charge/Chargeless Length	m	2.05 / 40
	Additional Charge	g/m	20
Run Current	Maximum	Amps	9.29
Power Cable	Outdoor to Indoor		3 core + earth
Power Supply	Suggested Fuse Size	V/ph/Hz-A	220-240/1/50-16

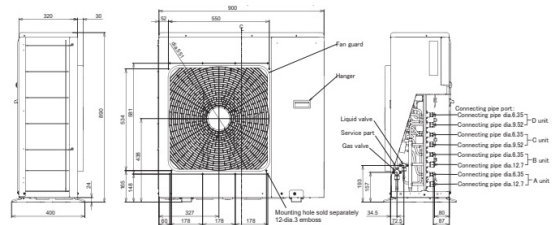
RAS Indoor Model	Cooling kW	Heating kW	SEIYA*	SHORAI EDGE B&W*	HAORI*	DAISEIKAI 10*	CONSOLE*	CASSETTE**	Ducted**
05	1.5	2.0	✓	✗	✗	✗	✗	✗	✗
07	2.0	2.7	✓	✗	✗	✗	✗	✗	✓
10	2.7	4.0	✓	✓	✓	✓	✓	✓	✓
13	3.7	5.0	✓	✓	✓	✓	✓	✓	✓
16	4.5	5.5	✓	✓	✓	✗	✗	✓	✓
18	5.0	6.0	✓	✓	✗	✓	✓	✗	✗
22	6.0	7.0	✗	✓	✗	✗	✗	✗	✓
24	7.1	8.1	✓	✓	✗	✗	✗	✗	✓

✓ Available  
✗ Not available

\*All Accessories / Controls

Related Items:

- [Full Specification](#)
- [Dimensional Drawing](#)
- [Wiring Diagram](#)
- [Combinations](#)
- [Noise Curve Data](#)
- [Installation Manual](#)



## MULTI: RAS - 5M34G3AVG-E

- Supports Wi-Fi control.
- Best in class energy efficiency A++ / A++.
- Dyna Doctor port for easy service connection.
- Supports energy monitoring on compatible indoor units.
- New compact outdoor unit size for 2M10 and 2M14 models.



Hi - Res Image

Retail Price (interactive icons):



UK



ROI



Performance		RAS-	5M34G3AVG-E
Outdoor Unit			
Indoor Units Connected		Min.-Max.	2-5
Capacity Code	2 x Indoor Connection	Min.-Max.	10-48
	3+ Indoor Connection	Min.-Max.	10-68
Nominal	Cooling Capacity	kW	10.0
	Heating Capacity	kW	12.0
	EER/COP	W/W	3.85 / 4.24
Cooling EN14825	Range Min. - Max.	kW	2.5 - 11.5
	Power Input	kW	2.60
	Pdesign	kW	10.0
	SEER/Energy Efficiency Class		7.2 / A++
	Seasonal Energy Consumption	kWh/a	573
	Range Min. - Max.	kW	2.2 - 14.2
Heating EN14825	Power Input	kW	2.80
	Pdesign	kW	6.8
	SCOP/Energy Efficiency Class		4.3 / A+
	Seasonal Energy Consumption	kWh/a	2213

Outdoor Data			
Operating Range	Cooling	°C	-10/46
	Heating		-20/24
Air Flow	High	m3/h - l/s	4400-1222
Sound	Pressure High/Low	dB(A)	56/47
	Power High	dB(A)	69
Unit	Height x Width x Depth	mm	890 x 900 x 320
	Weight	kg	78
Pipe Connection	Flare Connections (gas - liquid)	inch	3/8" x 3 + 1/2" x 2 - 1/4" x 5
	Min.-Max. Length	m	3-80
	Maximum Pipe Length Per Unit	m	25
	Maximum Height Difference	m	15
Refrigerant R32	Drain Port Connection	mm	16
	Base Charge/Chargeless Length	m	2.39 / 40
	Additional Charge	g/m	20
Run Current	Maximum	Amps	12.99
Power Cable	Outdoor to Indoor		3 core + earth
Power Supply	Suggested Fuse Size	V/ph/Hz-A	220-240/1/50-20

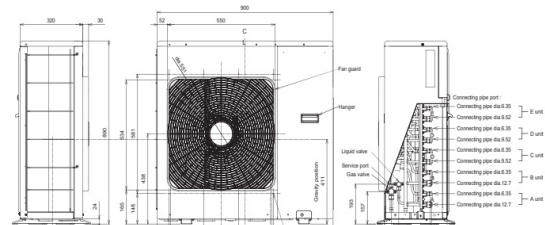
RAS Indoor Model	Cooling kW	Heating kW	SEIYA*	SHORAI EDGE B&W*	HAORI*	DAISEIKAI 10*	CONSOLE*	CASSETTE**	Ducted**
05	1.5	2.0	✓	✗	✗	✗	✗	✗	✗
07	2.0	2.7	✓	✗	✗	✗	✗	✗	✓
10	2.7	4.0	✓	✓	✓	✓	✓	✓	✓
13	3.7	5.0	✓	✓	✓	✓	✓	✓	✓
16	4.5	5.5	✓	✓	✓	✗	✗	✓	✓
18	5.0	6.0	✓	✓	✗	✓	✓	✗	✗
22	6.0	7.0	✗	✓	✗	✗	✗	✗	✓
24	7.1	8.1	✓	✓	✗	✗	✗	✗	✓

✓ Available  
✗ Not available

\*All Accessories / Controls

Related Items:

- [Full Specification](#)
- [Dimensional Drawing](#)
- [Wiring Diagram](#)
- [Combinations](#)
- [Noise Curve Data](#)
- [Installation Manual](#)




# Multi Compact Cassette



## COMPACT CASSETTE: RAS - M10S4MUVG-E

- Optional Occupancy sensor.
- Optional wired remote controller.
- Optional Wireless remote controller kit.
- Elegant and unobtrusive with modern design.
- Suited for 600x600 grid ceilings thanks to compact and thin chassis.



Hi - Res Image 

Retail Price (interactive icons):



UK



ROI



Performance			
Indoor Unit		RAS-	M10S4MUVG-E
Capacity Code			10
Nominal	Cooling Capacity	kW	2.5
	Heating Capacity	kW	3.2
UK	Cooling Total/Sensible	kW	2.44/2.03
	Heating	kW	2.05
Cooling EN14825	Range Min. - Max.	kW	1.31 - 2.75
	Power Input	kW	0.023
Heating EN14825	Range Min. - Max.	kW	1.73 - 8.10
	Power Input	kW	0.023

Indoor Data			
Air Flow	High - Low	l/s	164 - 119
	High - Low	m3/h	590 - 420
Sound	Pressure High - Low	dB(A)	37 - 30
	Power High - Low	dB(A)	50 - 43
Unit	Height x Width x Depth	mm	256 x 575 x 575
	Weight	kg	16
Panel RBC-UM21P-E	Height x Width x Depth	mm	12 x 620 x 620
	Weight	kg	3
Pipe Connection	Flare Connections (gas - liquid)	inch	3/8 - 1/4
	Drain Pipe Connection OD/ID	mm	32/25

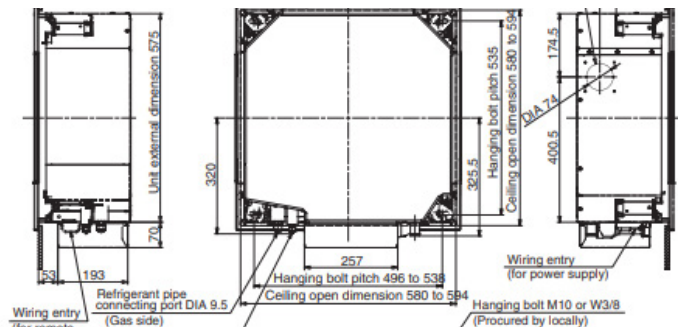
### Accessories

<a href="#">RBC-AXU31UMP-E</a>	Wireless remote controller Kit
<a href="#">RBC-AMSU52-E</a>	Wired Remote Controller
<a href="#">TCB-SIR41UM-E</a>	Occupancy sensor

\*All [Accessories / Controls](#)

### Related Items:

- [BIM Files](#)
- [CAD Files](#)
- [Full Specification](#)
- [Dimensional Drawing](#)
- [Wiring Diagram](#)
- [Airflow/ Fan Curve](#)
- [Noise Curve Data](#)
- [Installation Manual](#)
- [Owners Manual](#)



## COMPACT CASSETTE: RAS - M13S4MUVG-E

- Optional Occupancy sensor.
- Optional wired remote controller.
- Optional Wireless remote controller kit.
- Elegant and unobtrusive with modern design.
- Suited for 600x600 grid ceilings thanks to compact and thin chassis.



Retail Price (interactive icons):




UK



ROI



Hi - Res Image 

Performance			
Indoor Unit		RAS-	M13S4MUVG-E
Capacity Code			13
Nominal	Cooling Capacity	kW	3.5
	Heating Capacity	kW	4.2
UK	Cooling Total/Sensible	kW	3.42/2.74
	Heating	kW	2.61
Cooling EN14825	Range Min. - Max.	kW	1.71 - 3.70
	Power Input	kW	0.023
Heating EN14825	Range Min. - Max.	kW	2.07 - 5.00
	Power Input	kW	0.023

Indoor Data			
Air Flow	High - Low	l/s	172 - 119
	High - Low	m <sup>3</sup> /h	620 - 470
Sound	Pressure High - Low	dB(A)	39 - 33
	Power High - Low	dB(A)	52 - 46
Unit	Height x Width x Depth	mm	256 x 575 x 575
	Weight	kg	16
Panel RBC-UM21P-E	Height x Width x Depth	mm	12 x 620 x 620
	Weight	kg	3
Pipe Connection	Flare Connections (gas - liquid)	inch	3/8 - 1/4
	Drain Pipe Connection OD/ID	mm	32/25

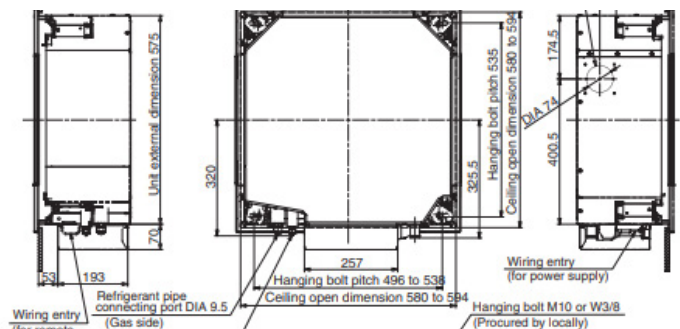
### Accessories

<a href="#">RBC-AXU31UMP-E</a>	Wireless remote controller Kit
<a href="#">RBC-AMSU52-E</a>	Wired Remote Controller
<a href="#">TCB-SIR41UM-E</a>	Occupancy sensor

\*All [Accessories / Controls](#)

### Related Items:


- [BIM Files](#)
- [CAD Files](#)
- [Full Specification](#)
- [Dimensional Drawing](#)
- [Wiring Diagram](#)
- [Airflow/ Fan Curve](#)
- [Noise Curve Data](#)
- [Installation Manual](#)
- [Owners Manual](#)



## COMPACT CASSETTE: RAS - M16S4MUVG-E

- Optional Occupancy sensor.
- Optional wired remote controller.
- Optional Wireless remote controller kit.
- Elegant and unobtrusive with modern design.
- Suited for 600x600 grid ceilings thanks to compact and thin chassis.



Hi - Res Image 

Retail Price (interactive icons):



UK



ROI



Performance			
Indoor Unit		RAS-	M16S4MUVG-E
Capacity Code			16
Nominal	Cooling Capacity	kW	4.6
	Heating Capacity	kW	5.5
UK	Cooling Total/Sensible	kW	4.49/3.56
	Heating	kW	3.53
Cooling EN14825	Range Min. - Max.	kW	2.13 - 4.50
	Power Input	kW	0.023
Heating EN14825	Range Min. - Max.	kW	2.33 - 5.50
	Power Input	kW	0.023

Indoor Data			
Air Flow	High - Low	l/s	189 - 125
	High - Low	m3/h	660 - 470
Sound	Pressure High - Low	dB(A)	41 - 33
	Power High - Low	dB(A)	54 - 46
Unit	Height x Width x Depth	mm	256 x 575 x 575
	Weight	kg	16
Panel RBC-UM21P-E	Height x Width x Depth	mm	12 x 620 x 620
	Weight	kg	3
Pipe Connection	Flare Connections (gas - liquid)	inch	1/2 - 1/4
	Drain Pipe Connection OD/ID	mm	32/25

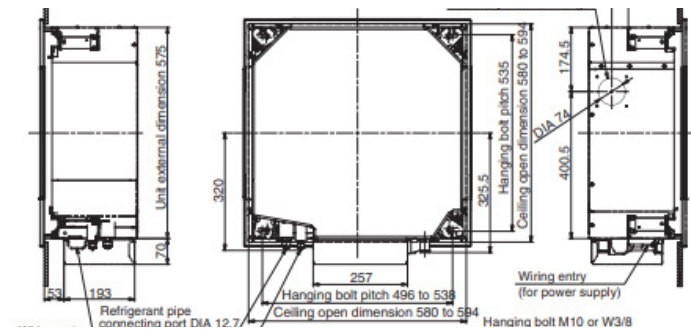
### Accessories

<a href="#">RBC-AXU31UMP-E</a>	Wireless remote controller Kit
<a href="#">RBC-AMSU52-E</a>	Wired Remote Controller
<a href="#">TCB-SIR41UM-E</a>	Occupancy sensor

\*All [Accessories / Controls](#)

### Related Items:

- [BIM Files](#)
- [CAD Files](#)
- [Full Specification](#)
- [Dimensional Drawing](#)
- [Wiring Diagram](#)
- [Airflow/ Fan Curve](#)
- [Noise Curve Data](#)
- [Installation Manual](#)
- [Owners Manual](#)



# Multi Slim Ducted



## DUCTED: RAS - M07U2DVG-E

- Slim design with only 210mm height.
- External static pressure from 10 to 45 Pa.
- Compatible with latest R32 Multi System.
- Inbuilt Condensate drain pump with lift up to 350mm.
- Compliant with European Ecodesign regulation - Lot10.



Retail Price (interactive icons):




UK



ROI



Hi - Res Image 

Performance			
Indoor Unit		RAS-	M07U2DVG-E
Capacity Code			7
Nominal	Cooling Capacity	kW	2.0
	Heating Capacity	kW	2.7
UK	Cooling Total/Sensible	kW	1.95/1.57
	Heating	kW	1.60
Cooling EN14825	Range Min. - Max.	kW	1.01 - 2.03
	Power Input	kW	0.048
Heating EN14825	Range Min. - Max.	kW	1.23 - 2.95
	Power Input	kW	0.048

Indoor Data			
Air Flow	High - Low	l/s	158 - 106
	High - Low	m3/h	570 - 380
External Static Pressure	Standard (Upper - Lower)	Pa	10 (10 - 45)
Sound Pressure	High - Low	dB(A)	35 - 27
	High - Low (under inlet)	dB(A)	44 - 30
Sound Power	High - Low	dB(A)	50 - 42
	High - Low (under inlet)	dB(A)	59 - 45
Unit	Height x Width x Depth	mm	210 x 700 x 450
	Weight	kg	16
Pipe Connection	Flare Connections (gas - liquid)	inch	3/8 - 1/4
	Drain Pipe Connection OD/ID	mm	32/25
Remote Controller			WH-TA04NE

### Accessories

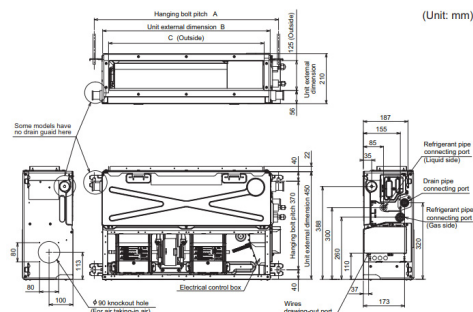
[RB-RWS21-E](#)

Wired Remote Controller

\*All [Accessories / Controls](#)

### Related Items:

- [BIM Files](#)
- [CAD Files](#)
- [Full Specification](#)
- [Dimensional Drawing](#)
- [Wiring Diagram](#)
- [Airflow/ Fan Curve](#)
- [Noise Curve Data](#)
- [Installation Manual](#)
- [Owners Manual](#)



## DUCTED: RAS - M10U2DVG-E

- Slim design with only 210mm height.
- External static pressure from 10 to 45 Pa.
- Compatible with latest R32 Multi System.
- Inbuilt Condensate drain pump with lift up to 350mm.
- Compliant with European Ecodesign regulation - Lot10.



Retail Price (interactive icons):




UK



ROI



Hi - Res Image 

Performance			
Indoor Unit		RAS-	M10U2DVG-E
Capacity Code			10
Nominal	Cooling Capacity	kW	2.7
	Heating Capacity	kW	4.0
UK	Cooling Total/Sensible	kW	2.44/1.93
	Heating	kW	2.03
Cooling EN14825	Range Min. - Max.	kW	1.31 - 2.75
	Power Input	kW	0.048
Heating EN14825	Range Min. - Max.	kW	1.73 - 8.10
	Power Input	kW	0.048

Indoor Data			
Air Flow	High - Low	l/s	158 - 106
	High - Low	m3/h	570 - 380
External Static Pressure	Standard (Upper - Lower)	Pa	10 (10 - 45)
Sound Pressure	High - Low	dB(A)	35 - 27
	High - Low (under inlet)	dB(A)	44 - 30
Sound Power	High - Low	dB(A)	50 - 42
	High - Low (under inlet)	dB(A)	59 - 45
Unit	Height x Width x Depth	mm	210 x 700 x 450
	Weight	kg	16
Pipe Connection	Flare Connections (gas - liquid)	inch	3/8 - 1/4
	Drain Pipe Connection OD/ID	mm	32/25
Remote Controller			WH-TA04NE

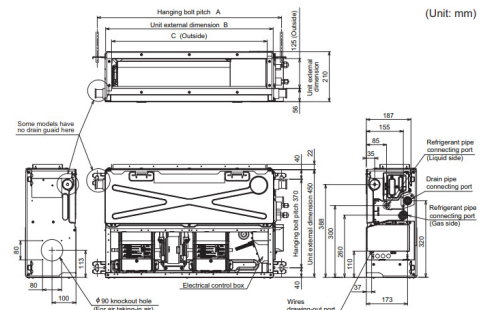
### Accessories

[RB-RWS21-E](#) | Wired Remote Controller

\*All [Accessories / Controls](#)

### Related Items:

- [BIM Files](#)
- [CAD Files](#)
- [Full Specification](#)
- [Dimensional Drawing](#)
- [Wiring Diagram](#)
- [Airflow/ Fan Curve](#)
- [Noise Curve Data](#)
- [Installation Manual](#)
- [Owners Manual](#)



## SLIM DUCTED: RAS - M13U2DVG-E

- Slim design with only 210mm height.
- External static pressure from 10 to 45 Pa.
- Compatible with latest R32 Multi System.
- Inbuilt Condensate drain pump with lift up to 350mm.
- Compliant with European Ecodesign regulation - Lot10.



Retail Price (interactive icons):




UK



ROI



Hi - Res Image 

Performance		RAS-	M13U2DVG-E
Indoor Unit			
Capacity Code			13
Nominal	Cooling Capacity	kW	3.7
	Heating Capacity	kW	5.0
UK	Cooling Total/Sensible	kW	3.22/2.49
	Heating	kW	2.20
Cooling EN14825	Range Min. - Max.	kW	1.71 - 3.70
	Power Input	kW	0.054
Heating EN14825	Range Min. - Max.	kW	2.07 - 5.00
	Power Input	kW	0.054

Indoor Data			
Air Flow	High - Low	l/s	169 - 107
	High - Low	m3/h	610 - 385
External Static Pressure	Standard (Upper - Lower)	Pa	10 (10 - 45)
Sound Pressure	High - Low	dB(A)	37 - 27
	High - Low (under inlet)	dB(A)	46 - 30
Sound Power	High - Low	dB(A)	52 - 42
	High - Low (under inlet)	dB(A)	61 - 45
Unit	Height x Width x Depth	mm	210 x 700 x 450
	Weight	kg	16
Pipe Connection	Flare Connections (gas - liquid)	inch	3/8 - 1/4
	Drain Pipe Connection OD/ID	mm	32/25
Remote Controller			WH-TA04NE

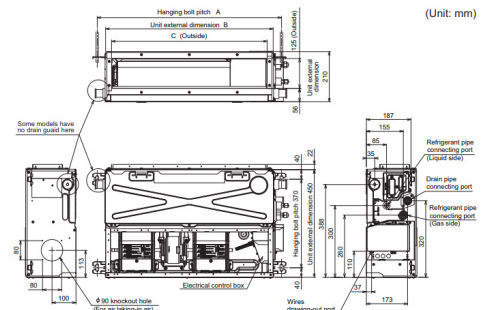
### Accessories

[RB-RWS21-E](#) | Wired Remote Controller

\*All [Accessories / Controls](#)

### Related Items:

- [BIM Files](#)
- [CAD Files](#)
- [Full Specification](#)
- [Dimensional Drawing](#)
- [Wiring Diagram](#)
- [Airflow/ Fan Curve](#)
- [Noise Curve Data](#)
- [Installation Manual](#)
- [Owners Manual](#)



## SLIM DUCTED: RAS - M16U2DVG-E

- Slim design with only 210mm height.
- External static pressure from 10 to 45 Pa.
- Compatible with latest R32 Multi System.
- Inbuilt Condensate drain pump with lift up to 350mm.
- Compliant with European Ecodesign regulation - Lot10.



Retail Price (interactive icons):




UK



ROI



Hi - Res Image 

### Performance

Indoor Unit		RAS-	M16U2DVG-E
Capacity Code			16
Nominal	Cooling Capacity	kW	4.5
	Heating Capacity	kW	5.5
UK	Cooling Total/Sensible	kW	4.49/3.36
	Heating	kW	3.33
Cooling EN14825	Range Min. - Max.	kW	2.13 - 4.50
	Power Input	kW	0.062
Heating EN14825	Range Min. - Max.	kW	2.33 - 5.50
	Power Input	kW	0.062

### Indoor Data

Air Flow	High - Low	l/s	217 - 117
	High - Low	m3/h	780 - 420
External Static Pressure	Standard (Upper - Lower)	Pa	10 (10 - 45)
Sound Pressure	High - Low	dB(A)	35 - 25
	High - Low (under inlet)	dB(A)	44 - 27
Sound Power	High - Low	dB(A)	50 - 40
	High - Low (under inlet)	dB(A)	59 - 42
Unit	Height x Width x Depth	mm	210 x 900 x 450
	Weight	kg	19
Pipe Connection	Flare Connections (gas - liquid)	inch	1/2 - 1/4
	Drain Pipe Connection OD/ID	mm	32/25
Remote Controller			WH-TA04NE

### Accessories

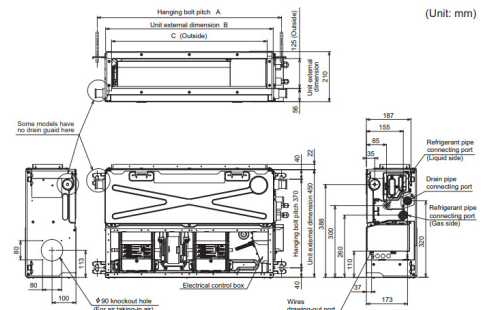
[RB-RWS21-E](#)

Wired Remote Controller

\*All [Accessories / Controls](#)

### Related Items:

- [BIM Files](#)
- [CAD Files](#)
- [Full Specification](#)
- [Dimensional Drawing](#)
- [Wiring Diagram](#)
- [Airflow/ Fan Curve](#)
- [Noise Curve Data](#)
- [Installation Manual](#)
- [Owners Manual](#)



## SLIM DUCTED: RAS - M22U2DVG-E

- Slim design with only 210mm height.
- External static pressure from 10 to 45 Pa.
- Compatible with latest R32 Multi System.
- Inbuilt Condensate drain pump with lift up to 350mm.
- Compliant with European Ecodesign regulation - Lot10.



Retail Price (interactive icons):




UK



ROI



Hi - Res Image 

Performance		RAS-	M22U2DVG-E
Indoor Unit			
Capacity Code			22
Nominal	Cooling Capacity	kW	6.0
	Heating Capacity	kW	7.0
UK	Cooling Total/Sensible	kW	5.96/4.24
	Heating	kW	3.98
Cooling EN14825	Range Min. - Max.	kW	2.93 - 6.00
	Power Input	kW	0.069
Heating EN14825	Range Min. - Max.	kW	3.04 - 7.00
	Power Input	kW	0.069

Indoor Data			
Air Flow	High - Low	l/s	278 - 206
	High - Low	m3/h	1000 - 740
External Static Pressure	Standard (Upper - Lower)	Pa	10 (10 - 45)
Sound Pressure	High - Low	dB(A)	38 - 32
	High - Low (under inlet)	dB(A)	45 - 37
Sound Power	High - Low	dB(A)	53 - 47
	High - Low (under inlet)	dB(A)	60 - 52
Unit	Height x Width x Depth	mm	210 x 1100 x 450
	Weight	kg	22
Pipe Connection	Flare Connections (gas - liquid)	inch	1/2 - 1/4
	Drain Pipe Connection OD/ID	mm	32/25
Remote Controller			WH-TA04NE

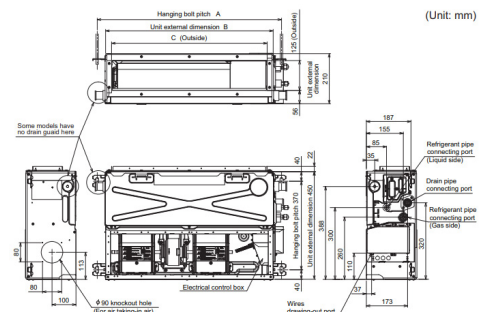
### Accessories

<a href="#">RB-RWS21-E</a>	Wired Remote Controller
----------------------------	-------------------------

\*All [Accessories / Controls](#)

### Related Items:

- [BIM Files](#)
- [CAD Files](#)
- [Full Specification](#)
- [Dimensional Drawing](#)
- [Wiring Diagram](#)
- [Airflow/ Fan Curve](#)
- [Noise Curve Data](#)
- [Installation Manual](#)
- [Owners Manual](#)



## SLIM DUCTED: RAS - M24U2DVG-E

- Slim design with only 210mm height.
- External static pressure from 10 to 45 Pa.
- Compatible with latest R32 Multi System.
- Inbuilt Condensate drain pump with lift up to 350mm.
- Compliant with European Ecodesign regulation - Lot10.



Retail Price (interactive icons):




UK



ROI



Hi - Res Image 

Performance			
Indoor Unit		RAS-	M24U2DVG-E
Capacity Code			24
Nominal	Cooling Capacity	kW	7.1
	Heating Capacity	kW	8.1
UK	Cooling Total/Sensible	kW	6.84/4.71
	Heating	kW	5.27
Cooling EN14825	Range Min. - Max.	kW	3.28 - 7.10
	Power Input	kW	0.076
Heating EN14825	Range Min. - Max.	kW	3.36 - 8.10
	Power Input	kW	0.076

Indoor Data			
Air Flow	High - Low	l/s	294 - 211
	High - Low	m3/h	1060 - 760
External Static Pressure	Standard (Upper - Lower)	Pa	10 (10 - 45)
Sound Pressure	High - Low	dB(A)	39 - 33
	High - Low (under inlet)	dB(A)	46 - 38
Sound Power	High - Low	dB(A)	54 - 48
	High - Low (under inlet)	dB(A)	61 - 53
Unit	Height x Width x Depth	mm	210 x 1100 x 450
	Weight	kg	22
Pipe Connection	Flare Connections (gas - liquid)	inch	1/2 - 1/4
	Drain Pipe Connection OD/ID	mm	32/25
Remote Controller			WH-TA04NE

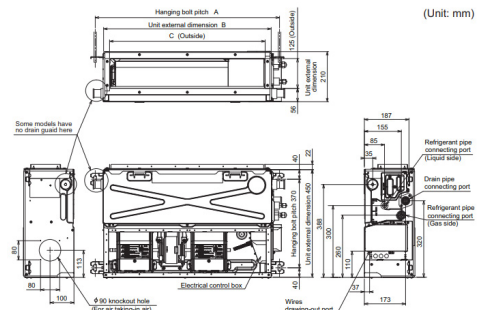
### Accessories

[RB-RWS21-E](#) | Wired Remote Controller

\*All [Accessories / Controls](#)

### Related Items:

- [BIM Files](#)
- [CAD Files](#)
- [Full Specification](#)
- [Dimensional Drawing](#)
- [Wiring Diagram](#)
- [Airflow/ Fan Curve](#)
- [Noise Curve Data](#)
- [Installation Manual](#)
- [Owners Manual](#)



# RAS CONTROLS & ACCESSORIES



## CONTROLS






	Image	Model Reference	Application	Description	Related Items
Controls & Sensors		RB-RXS31-E	Multi & Split System	Weekly-timer, IMS combination	<a href="#">Owners Manual</a>
		RB-RXS33-E	Multi & Split System	Weekly-timer, IMS combination	<a href="#">Owners Manual</a>
		RB-RXS34-E	Multi & Split System	Accessory Remote Controller for (SEIYA, SHORAI, CONSOLE, Daiseikai)	<a href="#">Owners Manual</a>
		RB-AX32UM(W)-E	Multi-Cassette	Wireless Remote Controller Kit	<a href="#">Installation Manual</a>
		TCB-SIR41UM-E	Multi-Cassette	Occupancy Sensor	<a href="#">Installation Manual</a>


	Image	Model Reference	Application	Description	Related Items
Wired		RB-RWS21-E	Remote Controller	Hard wired remote controller RAS Ducted	<a href="#">Installation Manual</a>



	Image	Model Reference	Application	Description	Related Items
Wi-Fi Interface		RB-N105S-G	Wi-Fi Connection	Wi-Fi adapter	<a href="#">Installation Manual</a>
		RB-N106S-G		Wi-Fi adapter and cable	<a href="#">Installation Manual</a>


	Image	Model Reference	Application	Description	Related Items
Interface		RBC-IT3-PE	Timer Interface	240v Timer interface for Daiseikai units	<a href="#">Contact Toshiba Technical</a>

	Image	Model Reference	Application	Description	Related Items
Leak Detection		RB-1301-E	Refrigerant Sensor	R32 Refrigerant Leak detection sensor	<a href="#">Installation Manual</a>

### MISCELLANEOUS

Miscellaneous	Image	Model Reference	Application	Description
		818F0036	IAQ Filter (Pair)	RAS (Qty required Indoor width ≤ 800mm x 1; Indoor > 800mm x 2)
		818F0050	Ultra pure filter (Pair)	RAS (Qty required Indoor width ≤ 800mm x 1; Indoor > 800mm x 2)








Fabric Covers	Image	Model Reference	Application	Description
		RB-I4101-E	HAORI	Dark Grey
		RB-I4102-E		Light Grey
		RB-I4103-E		Bluish Grey
		RB-I4104-E		Grey Beige
		RB-I4105-E		Dark Brown
		RB-I4106-E		Emerald Blue

	Image	Model Reference	Application	Description
		CACC-SF	Timer Interface	Single Fan CDU Coil Anti-Corrosion Coating

## DOWNLOAD BROCHURES



# TOSHIBA



## OFFICE LOCATIONS

**Manchester**  
Carrier Solutions UK Ltd  
Unit 15 S:Park Business Park  
Hamilton Road  
Stockport  
Greater Manchester  
SK1 2AE  
Tel: 0330 236 8630 - opt 2  
[marketing.uk@toshiba-ac.com](mailto:marketing.uk@toshiba-ac.com)

**St Albans**  
Carrier Solutions UK Ltd  
Unit 7, Riverside Industrial Estate  
Borderlake House  
London Colney  
St Albans  
AL 2 1HG  
Tel: 0330 236 8630 - opt 4  
[marketing.uk@toshiba-ac.com](mailto:marketing.uk@toshiba-ac.com)

**Telford**  
Viessmann UK  
Hortonwood 30  
Hortonwood Roundabout  
Telford  
Shropshire  
TF1 7YP  
Tel: 0330 236 8630 - opt 5  
[marketing.uk@toshiba-ac.com](mailto:marketing.uk@toshiba-ac.com)

**Plymouth**  
Carrier Solutions UK Ltd  
Porsham Close  
Belliver Industrial Estate  
Plymouth  
Devon  
PL6 7DB  
Tel: 0330 236 8630 - opt 2  
[marketing.uk@toshiba-ac.com](mailto:marketing.uk@toshiba-ac.com)

## DEPARTMENTAL CONTACT DETAILS

Sales Order Processing  
0330 236 8630 opt 2 - opt 1  
[sales.support@toshiba-ac.com](mailto:sales.support@toshiba-ac.com)

Pre Sales Team  
0330 236 8630 opt 2 - opt 2  
[projects.uk@toshiba-ac.com](mailto:projects.uk@toshiba-ac.com)

Spare Parts  
0330 236 8630 opt 2 - opt 3  
[spares@toshiba-ac.com](mailto:spares@toshiba-ac.com)

Warranty  
0330 236 8630 opt 2 - opt 4  
[warranty@toshiba-ac.com](mailto:warranty@toshiba-ac.com)

Technical Support  
0330 236 8630 opt 2 - opt 5  
[technical.enquiries@toshiba-ac.com](mailto:technical.enquiries@toshiba-ac.com)

Training  
0330 236 8630 opt 2 - opt 6  
[toshiba.training@toshiba-ac.com](mailto:toshiba.training@toshiba-ac.com)

[www.toshiba-aircon.co.uk](http://www.toshiba-aircon.co.uk)