

# TOSHIBA



## RESIDENTIAL PRODUCT SPECIFICATION



ENERGY EFFICIENT



CARBON NEUTRAL



INNOVATIVE



CUSTOMER CENTRIC

Contents	Model References	Pages
<b>RAS High Wall Systems</b>		<b>3 - 38</b>
High-Wall Inverter Split System - SEIYA	<a href="#">B0*S4KVG-E</a>	3 - 13
High-Wall Inverter Split System - SHORAI Curve - Black/White	<a href="#">B*P2KVSG(B)-E</a>	14 - 23
High-Wall Inverter Split System - HAORI	<a href="#">B1*N4KVRG-E1</a>	24 - 28
High-Wall Inverter Split System - DAISEIKAI 10 - Wood/White	<a href="#">B1*S4KV*G-E</a>	29 - 33
Inverter Split System - Bi-Flow Console	<a href="#">B1*J2FVG-E</a>	34 - 38
<b>RAS Multi Split Inverters</b>		<b>39 - 60</b>
Multi Split Inverter Outdoor Unit	<a href="#">*M1*G3AVG-E</a>	39 - 46
Multi Compact Cassette	<a href="#">M1*U2MUVG-E</a>	47 - 50
Multi Slim Ducted	<a href="#">M*U2DVG-E</a>	51 - 75
<a href="#">RAS Controls and Accessories</a>		58 - 60
<b>Brochures</b>		<b>61</b>
<a href="#">Brochures</a>		61
<b>Contact Us</b>		<b>62</b>
<a href="#">Contact Us</a>		62

S E I Y A



## SEIYA: RAS - B05S4KVG-E

- A++ in both Heating and cooling.
- Power supply to indoor or outdoor unit.
- Sleek and compact suitable for all applications.
- Available in both single and multi split applications.
- Compatible with WI-FI with adapter in the box as standard.



Retail Price (interactive icons):



UK



ROI



Hi - Res Image



### ENTRY TIER PRODUCT RANGE

Performance				
Indoor Unit		RAS-	B05S4KVG-E	
Outdoor Unit		RAS-	05E2AVG-E	
Nominal	Cooling Capacity	kW	1.5	
	Heating Capacity	kW	2.0	
	EER/COP	W/W	4.17/4.26	
UK	Cooling Total/Sensible	kW	1.47/1.22	
	Heating	kW	1.18	
Cooling EN14825	Range Min. - Max.	kW	0.75 - 2.00	
	Power Input	kW	0.36	
	Pdesign	kW	1.5	
	SEER/Energy Efficiency Class			6.90/A++
	Seasonal Energy Consumption	kWh/a		76
Heating EN14825	Range Min. - Max.	kW	0.8 - 3.00	
	Power Input	kW	0.47	
	Pdesign	kW	1.6	
	SCOP/Energy Efficiency Class			4.60/A++
	Seasonal Energy Consumption	kWh/a		487

Indoor Data			
Air Flow	High - Low	l/s	134 - 53
	High - Low	m3/h	480 - 190
Sound	Pressure High - Low	dB(A)	37 - 19
	Power High - Low	dB(A)	50
Unit	Height x Width x Depth	mm	288 x 770 x 225
	Weight	kg	9
Pipe Connection	Flare Connections (gas - liquid)	inch	3/8" - 1/4"
	Drain Pipe Connection OD/ID	mm	16/14
Remote controller			WH-TG01NE

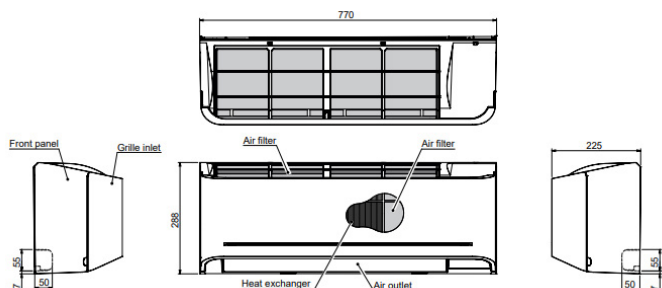
### Accessories

<a href="#">RB-RXS33-E</a>	Option Remote Controller (Weekly Timer)
<a href="#">RB-RXS34-E</a>	Option Black remote

\*All [Accessories / Controls](#)

### Related Items:

- [Full Specification](#)
- [Dimensional Drawing](#)
- [Wiring Diagram](#)
- [Airflow/ Fan Curve](#)
- [Installation Manual](#)
- [Owners Manual](#)



## SEIYA: RAS - B07S4KVG-E

- A++ in both Heating and cooling.
- Power supply to indoor or outdoor unit.
- Sleek and compact suitable for all applications.
- Available in both single and multi split applications.
- Compatible with Wi-Fi with adapter in the box as standard.



Retail Price (interactive icons):



UK



ROI



Hi - Res Image



### ENTRY TIER PRODUCT RANGE

#### Performance

Indoor Unit		RAS-	B07S4KVG-E
Outdoor Unit		RAS-	07E2AVG-E
Nominal	Cooling Capacity	kW	2.0
	Heating Capacity	kW	2.5
	EER/COP	W/W	3.77/3.91
UK	Cooling Total/Sensible	kW	1.95/1.57
	Heating	kW	1.60
Cooling EN14825	Range Min. - Max.	kW	0.76 - 2.60
	Power Input	kW	0.53
	Pdesign	kW	2.0
	SEER/Energy Efficiency Class		6.20/A++
	Seasonal Energy Consumption	kWh/a	113
Heating EN14825	Range Min. - Max.	kW	0.82 - 3.30
	Power Input	kW	0.64
	Pdesign	kW	2.0
	SCOP/Energy Efficiency Class		4.60/A++
	Seasonal Energy Consumption	kWh/a	609

#### Indoor Data

Air Flow	High - Low	l/s	140 - 55
	High - Low	m3/h	500 - 200
Sound	Pressure High - Low	dB(A)	38 - 19
	Power High - Low	dB(A)	51
Unit	Height x Width x Depth	mm	288 x 770 x 225
	Weight	kg	9
Pipe Connection	Flare Connections (gas - liquid)	inch	3/8" - 1/4"
	Drain Pipe Connection OD/ID	mm	16/14
Remote controller			WH-TG01NE

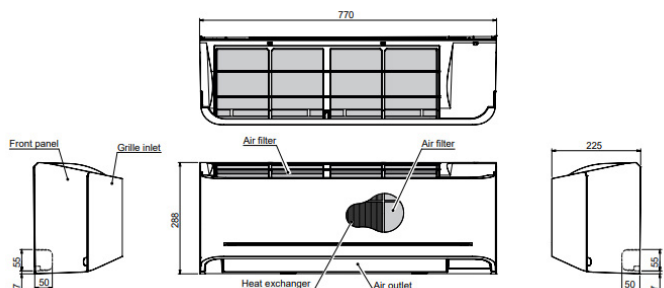
#### Accessories

<a href="#">RB-RXS33-E</a>	Option Remote Controller (Weekly Timer)
<a href="#">RB-RXS34-E</a>	Option Black remote

\*All [Accessories / Controls](#)

#### Related Items:

- [Full Specification](#)
- [Dimensional Drawing](#)
- [Wiring Diagram](#)
- [Airflow/ Fan Curve](#)
- [Installation Manual](#)
- [Owners Manual](#)



## SEIYA: RAS - B10S4KVG-E

- A++ in both Heating and cooling.
- Power supply to indoor or outdoor unit.
- Sleek and compact suitable for all applications.
- Available in both single and multi split applications.
- Compatible with WI-FI with adapter in the box as standard.



Retail Price (interactive icons):



UK



ROI



Hi - Res Image



### ENTRY TIER PRODUCT RANGE

Performance				
Indoor Unit		RAS-	B10S4KVG-E	
Outdoor Unit		RAS-	10E2AVG-E	
Nominal	Cooling Capacity	kW	2.5	
	Heating Capacity	kW	3.2	
	EER/COP	W/W	3.57/3.72	
UK	Cooling Total/Sensible	kW	2.44/1.93	
	Heating	kW	2.03	
Cooling EN14825	Range Min. - Max.	kW	0.80 - 3.00	
	Power Input	kW	0.70	
	Pdesign	kW	2.5	
	SEER/Energy Efficiency Class			7.00/A++
	Seasonal Energy Consumption	kWh/a		125
Heating EN14825	Range Min. - Max.	kW	0.95 - 3.90	
	Power Input	kW	0.86	
	Pdesign	kW	2.4	
	SCOP/Energy Efficiency Class			4.60/A++
	Seasonal Energy Consumption	kWh/a		730

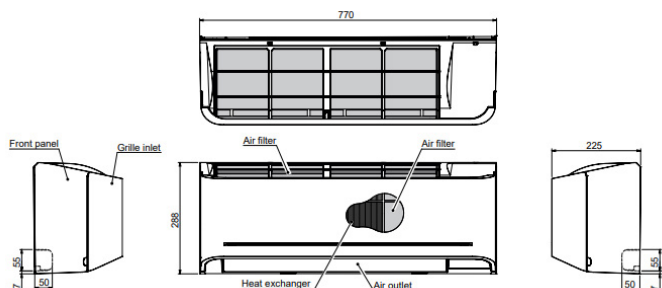
Indoor Data			
Air Flow	High - Low	l/s	144 - 64
	High - Low	m3/h	510 - 230
Sound	Pressure High - Low	dB(A)	39 - 20
	Power High - Low	dB(A)	52
Unit	Height x Width x Depth	mm	288 x 770 x 225
	Weight	kg	9
Pipe Connection	Flare Connections (gas - liquid)	inch	3/8" - 1/4"
	Drain Pipe Connection OD/ID	mm	16/14
Remote controller			WH-TG01NE

Accessories	
<a href="#">RB-RXS33-E</a>	Option Remote Controller (Weekly Timer)
<a href="#">RB-RXS34-E</a>	Option Black remote

\*All [Accessories / Controls](#)

### Related Items:

- [Full Specification](#)
- [Dimensional Drawing](#)
- [Wiring Diagram](#)
- [Airflow/ Fan Curve](#)
- [Installation Manual](#)
- [Owners Manual](#)



## SEIYA: RAS - B13S4KVG-E

- A++ in both Heating and cooling.
- Power supply to indoor or outdoor unit.
- Sleek and compact suitable for all applications.
- Available in both single and multi split applications.
- Compatible with WI-FI with adapter in the box as standard.



Retail Price (interactive icons):



UK



ROI



Hi - Res Image



### ENTRY TIER PRODUCT RANGE

#### Performance

Indoor Unit		RAS-	B13S4KVG-E
Outdoor Unit		RAS-	13E2AVG-E
Nominal	Cooling Capacity	kW	3.3
	Heating Capacity	kW	3.6
	EER/COP	W/W	3.30/4.14
UK	Cooling Total/Sensible	kW	3.22/2.49
	Heating	kW	2.20
Cooling EN14825	Range Min. - Max.	kW	1.20 - 3.60
	Power Input	kW	1.00
	Pdesign	kW	3.3
	SEER/Energy Efficiency Class		7.00/A++
	Seasonal Energy Consumption	kWh/a	165
Heating EN14825	Range Min. - Max.	kW	0.97 - 4.50
	Power Input	kW	0.87
	Pdesign	kW	2.7
	SCOP/Energy Efficiency Class		4.60/A++
	Seasonal Energy Consumption	kWh/a	822

#### Indoor Data

Air Flow	High - Low	l/s	208 - 92
	High - Low	m3/h	750 - 330
Sound	Pressure High - Low	dB(A)	42 - 21
	Power High - Low	dB(A)	54
Unit	Height x Width x Depth	mm	293 x 798 x 230
	Weight	kg	9
Pipe Connection	Flare Connections (gas - liquid)	inch	3/8" - 1/4"
	Drain Pipe Connection OD/ID	mm	16/14
Remote controller			WH-TG01NE

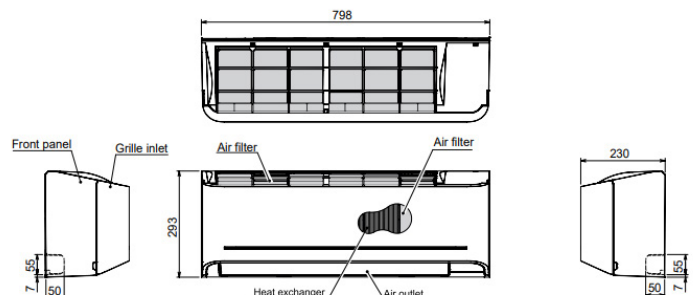
#### Accessories

<a href="#">RB-RXS33-E</a>	Option Remote Controller (Weekly Timer)
<a href="#">RB-RXS34-E</a>	Option Black remote

\*All [Accessories / Controls](#)

#### Related Items:

- [Full Specification](#)
- [Dimensional Drawing](#)
- [Wiring Diagram](#)
- [Airflow/ Fan Curve](#)
- [Installation Manual](#)
- [Owners Manual](#)



## SEIYA: RAS - B16S4KVG-E

- A++ in both Heating and cooling.
- Power supply to indoor or outdoor unit.
- Sleek and compact suitable for all applications.
- Available in both single and multi split applications.
- Compatible with WI-FI with adapter in the box as standard.



Retail Price (interactive icons):



UK



ROI



Hi - Res Image



### ENTRY TIER PRODUCT RANGE

Performance				
Indoor Unit		RAS-	B16S4KVG-E	
Outdoor Unit		RAS-	16E2AVG-E	
Nominal	Cooling Capacity	kW	4.2	
	Heating Capacity	kW	5.0	
	EER/COP	W/W	3.31/3.73	
UK	Cooling Total/Sensible	kW	4.49/3.36	
	Heating	kW	3.33	
Cooling EN14825	Range Min. - Max.	kW	1.40 - 4.70	
	Power Input	kW	1.27	
	Pdesign	kW	4.2	
	SEER/Energy Efficiency Class			7.00/A++
	Seasonal Energy Consumption	kWh/a		210
	Range Min. - Max.	kW		1.30 - 6.00
Heating EN14825	Power Input	kW	1.34	
	Pdesign	kW	3.6	
	SCOP/Energy Efficiency Class			4.60/A++
	Seasonal Energy Consumption	kWh/a		1095

Indoor Data			
Air Flow	High - Low	l/s	212 - 92
	High - Low	m3/h	760 - 330
Sound	Pressure High - Low	dB(A)	43 - 22
	Power High - Low	dB(A)	56
Unit	Height x Width x Depth	mm	293 x 798 x 230
	Weight	kg	9
Pipe Connection	Flare Connections (gas - liquid)	inch	1/2" - 1/4"
	Drain Pipe Connection OD/ID	mm	16/14
Remote controller			WH-TG01NE

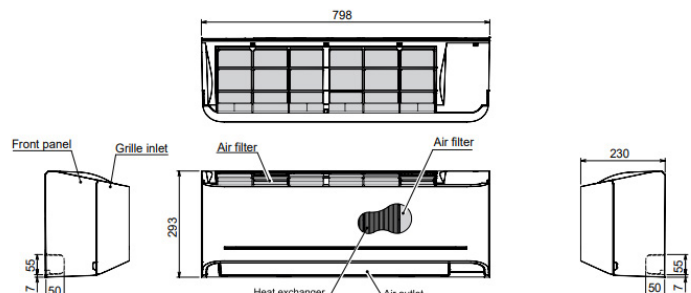
### Accessories

<a href="#">RB-RXS33-E</a>	Option Remote Controller (Weekly Timer)
<a href="#">RB-RXS34-E</a>	Option Black remote

\*All [Accessories / Controls](#)

### Related Items:

- [Full Specification](#)
- [Dimensional Drawing](#)
- [Wiring Diagram](#)
- [Airflow/ Fan Curve](#)
- [Installation Manual](#)
- [Owners Manual](#)



## SEIYA: RAS - B18S4KVG-E

- A++ in both Heating and cooling.
- Power supply to indoor or outdoor unit.
- Sleek and compact suitable for all applications.
- Available in both single and multi split applications.
- Compatible with Wi-Fi with adapter in the box as standard.



Retail Price (interactive icons):



UK



ROI



Hi - Res Image



### ENTRY TIER PRODUCT RANGE

#### Performance

Indoor Unit		RAS-	B18S4KVG-E	
Outdoor Unit		RAS-	18E2AVG-E	
Nominal	Cooling Capacity	kW	5.0	
	Heating Capacity	kW	5.4	
	EER/COP	W/W	3.33/3.60	
UK	Cooling Total/Sensible	kW	4.88/3.57	
	Heating	kW	3.34	
Cooling EN14825	Range Min. - Max.	kW	1.45 - 5.50	
	Power Input	kW	1.50	
	Pdesign	kW	5.0	
	SEER/Energy Efficiency Class			7.00/A++
	Seasonal Energy Consumption	kWh/a		250
Heating EN14825	Range Min. - Max.	kW	1.35 - 6.00	
	Power Input	kW	1.50	
	Pdesign	kW	3.8	
	SCOP/Energy Efficiency Class			4.40/A+
	Seasonal Energy Consumption	kWh/a		1209

#### Indoor Data

Air Flow	High - Low	l/s	233 - 133
	High - Low	m3/h	840 - 480
Sound	Pressure High - Low	dB(A)	48 - 26
	Power High - Low	dB(A)	60
Unit	Height x Width x Depth	mm	293 x 798 x 230
	Weight	kg	9
Pipe Connection	Flare Connections (gas - liquid)	inch	1/2" - 1/4"
	Drain Pipe Connection OD/ID	mm	16/14
Remote controller			WH-TG01NE

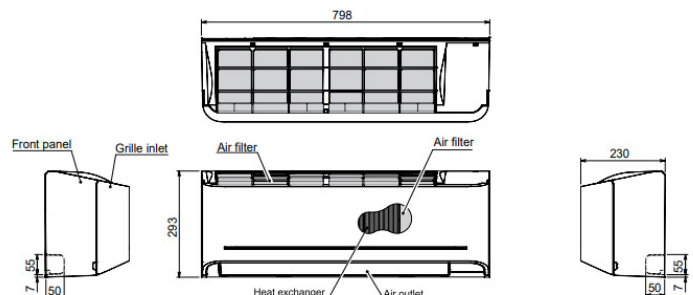
#### Accessories

<a href="#">RB-RXS33-E</a>	Option Remote Controller (Weekly Timer)
<a href="#">RB-RXS34-E</a>	Option Black remote

\*All [Accessories / Controls](#)

#### Related Items:

- [Full Specification](#)
- [Dimensional Drawing](#)
- [Wiring Diagram](#)
- [Airflow/ Fan Curve](#)
- [Installation Manual](#)
- [Owners Manual](#)



## SEIYA: RAS - B24S4KVG-E

- A++ in both Heating and cooling.
- Power supply to indoor or outdoor unit.
- Sleek and compact suitable for all applications.
- Available in both single and multi split applications.
- Compatible with WI-FI with adapter in the box as standard.



Retail Price (interactive icons):



UK



ROI



Hi - Res Image



### ENTRY TIER PRODUCT RANGE

Performance				
Indoor Unit		RAS-	B24S4KVG-E	
Outdoor Unit		RAS-	24E2AVG-E	
Nominal	Cooling Capacity	kW	6.5	
	Heating Capacity	kW	7.0	
	EER/COP	W/W	2.89/3.33	
UK	Cooling Total/Sensible	kW	6.35/4.40	
	Heating	kW	4.31	
Cooling EN14825	Range Min. - Max.	kW	1.7 - 7.2	
	Power Input	kW	2.25	
	Pdesign	kW	6.5	
	SEER/Energy Efficiency Class			6.90/A++
	Seasonal Energy Consumption	kWh/a		330
Heating EN14825	Range Min. - Max.	kW	1.5 - 8.1	
	Power Input	kW	2.10	
	Pdesign	kW	5.4	
	SCOP/Energy Efficiency Class			4.30/A+
	Seasonal Energy Consumption	kWh/a		1757

Indoor Data			
Air Flow	High - Low	l/s	298 - 183
	High - Low	m3/h	1070 - 660
Sound	Pressure High - Low	dB(A)	48 - 29
	Power High - Low	dB(A)	61
Unit	Height x Width x Depth	mm	320 x 1050 x 250
	Weight	kg	15
Pipe Connection	Flare Connections (gas - liquid)	inch	1/2" - 1/4"
	Drain Pipe Connection OD/ID	mm	16/14
Remote controller			WH-TG01NE

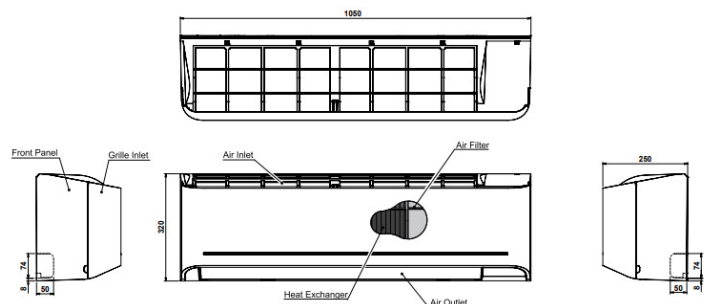
### Accessories

<a href="#">RB-RXS33-E</a>	Option Remote Controller (Weekly Timer)
<a href="#">RB-RXS34-E</a>	Option Black remote

\*All [Accessories / Controls](#)

### Related Items:

- [Full Specification](#)
- [Dimensional Drawing](#)
- [Wiring Diagram](#)
- [Airflow/ Fan Curve](#)
- [Owners Manual](#)



## SEIYA: RAS - 05E2AVG-E - 10E2AVG-E

- On demand defrost.
- Silent CDU noise reduction function.
- Power supply to indoor or outdoor unit.
- Energy Class A++/A++ cooling and heating modes.
- Toshiba Inverter and compressor technology with R32.



Hi - Res Image

Retail Price (interactive icons):



UK



ROI



### ENTRY TIER PRODUCT RANGE

Performance		ENTRY TIER PRODUCT RANGE			
Outdoor Unit		RAS-	05E2AVG-E	07E2AVG-E	10E2AVG-E
Operating Range	Cooling	C°	-15 ~ 46	-15 ~ 46	-15 ~ 46
	Heating		-15 ~ 24	-15 ~ 24	-15 ~ 24
Air Flow	High	m3/h - l/s	1690 - 470	1800 - 500	1800 - 500
Sound	Pressure High Cooling/Heating/Silent	dB(A)	47 / 48 / 42	47 / 49 / 42	47 / 49 / 43
	Power High Cooling/Heating/Silent	dB(A)	60 / 61 / 55	60 / 62 / 55	60 / 62 / 56
Unit	Height x Width x Depth	mm	530 x 660 x 240	530 x 660 x 240	530 x 660 x 240
	Weight	kg	21	21	22
Pipe Connection	Flare Connections (gas-liquid)	inch	3/8" - 1/4"	3/8" - 1/4"	3/8" - 1/4"
	Min.-Max. Length	m	2-15	2-15	2-15
	Maximum Height Difference	m	±12	±12	±12
	Drain Port Connection	mm	16	16	16
Refrigerant Charge	Base Charge/Chargeless Length	m	0.34/15	0.34/15	0.49/15
	Additional Charge	g/m	0	0	0
Run Current	Maximum	Amps	5.00	5.40	7.20
Power Cable	Outdoor to Indoor		3 core + earth	3 core + earth	3 core + earth
Power Supply	Suggested Fuse Size	V/ph/Hz-A	220-240/1/50-10	220-240/1/50-16	220-240/1/50-16

### Related Items - 05E2AVG-E:

- [Full Specification](#)
- [Dimensional Drawing](#)
- [Wiring Diagram](#)
- [Noise Curve Data](#)
- [Installation Manual](#)



### Related Items - 07E2AVG-E

- [Full Specification](#)
- [Dimensional Drawing](#)
- [Wiring Diagram](#)
- [Noise Curve Data](#)
- [Installation Manual](#)

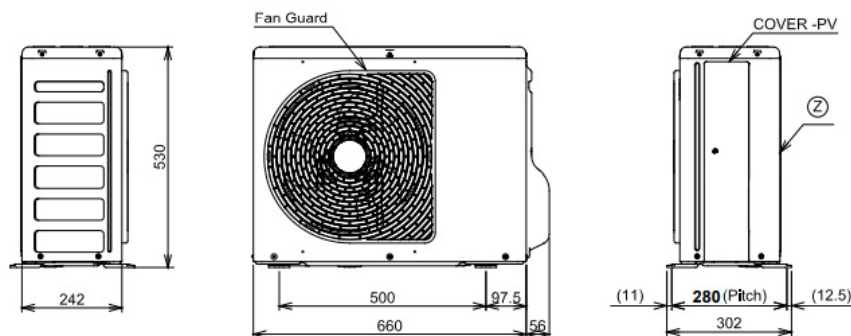


### Related Items - 10E2AVG-E

- [Full Specification](#)
- [Dimensional Drawing](#)
- [Wiring Diagram](#)
- [Noise Curve Data](#)
- [Installation Manual](#)



\*All [Accessories / Controls](#)



## SEIYA: RAS - 13E2AVG-E - 16E2AVG-E

- On demand defrost.
- Silent CDU noise reduction function.
- Power supply to indoor or outdoor unit.
- Energy Class A++/A++ cooling and heating modes.
- Toshiba Inverter and compressor technology with R32.



Hi - Res Image

Retail Price (interactive icons):



UK



ROI



### ENTRY TIER PRODUCT RANGE

Performance		RAS-	13E2AVG-E	16E2AVG-E
<b>Outdoor Unit</b>				
Operating Range	Cooling	C°	-15 ~ 46	-15 ~ 46
	Heating		-15 ~ 24	-15 ~ 24
Air Flow	High	m3/h - l/s	1980 - 550	2160 - 600
Sound	Pressure High Cooling/Heating/Silent	dB(A)	48 / 49 / 43	50 / 51 / 43
	Power High Cooling/Heating/Silent	dB(A)	61 / 62 / 56	63 / 64 / 59
Unit	Height x Width x Depth	mm	530 x 660 x 240	550 x 780 x 290
	Weight	kg	22	30
Pipe Connection	Flare Connections (gas-liquid)	inch	3/8" - 1/4"	1/2" - 1/4"
	Min.-Max. Length	m	2-15	2-20
	Maximum Height Difference	m	±12	±12
	Drain Port Connection	mm	16	16
Refrigerant Charge	Base Charge/Chargeless Length	m	0.54/15	0.68/15
	Additional Charge	g/m	0	20
Run Current	Maximum	Amps	7.40	9.00
Power Cable	Outdoor to Indoor		3 core + earth	3 core + earth
Power Supply	Suggested Fuse Size	V/ph/Hz-A	220-240/1/50-16	220-240/1/50-16

### Related Items - 13E2AVG-E

- [Full Specification](#)
- [Dimensional Drawing](#)
- [Wiring Diagram](#)
- [Noise Curve Data](#)
- [Installation Manual](#)

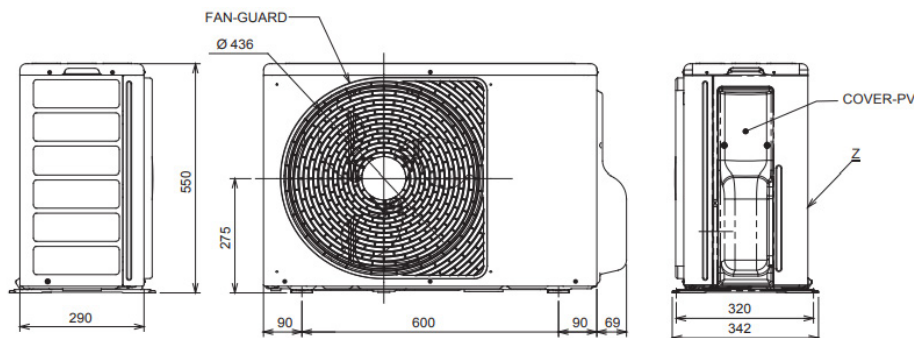


### Related Items - 16E2AVG:

- [Full specification](#)
- [Dimensional drawing](#)
- [Wiring diagram](#)
- [Noise Curve Data](#)
- [Installation Manual](#)




\*All [Accessories / Controls](#)



## SEIYA: RAS - 18E2AVG-E - 24E2AVG-E

- On demand defrost.
- Silent CDU noise reduction function.
- Power supply to indoor or outdoor unit.
- Energy Class A++/A++ cooling and heating modes.
- Toshiba Inverter and compressor technology with R32.



Hi - Res Image 

Retail Price (interactive icons):



UK



ROI



### ENTRY TIER PRODUCT RANGE

Performance		ENTRY TIER PRODUCT RANGE		
Outdoor Unit		RAS-	18E2AVG-E	24E2AVG-E
Operating Range	Cooling	C°	-15 ~ 46	-15 ~ 46
	Heating		-15 ~ 24	-15 ~ 24
Air Flow	High	m3/h - l/s	2160 - 600	2220 - 617
Sound	Pressure High Cooling/Heating/Silent	dB(A)	50 / 51 / 44	54 / 54 / 49
	Power High Cooling/Heating/Silent	dB(A)	63 / 64 / 59	67 / 67 / 62
Unit	Height x Width x Depth	mm	550 x 780 x 290	550 x 780 x 290
	Weight	kg	34	38
Pipe Connection	Flare Connections (gas-liquid)	inch	1/2" - 1/4"	1/2" - 1/4"
	Min.-Max. Length	m	2-20	2-20
	Maximum Height Difference	m	±12	±12
	Drain Port Connection	mm	16	16
Refrigerant Charge	Base Charge/Chargeless Length	m	0.93/15	1.18/15
	Additional Charge	g/m	20	20
Run Current	Maximum	Amps	9.25	10.60
Power Cable	Outdoor to Indoor		3 core + earth	3 core + earth
Power Supply	Suggested Fuse Size	V/ph/Hz-A	220-240/1/50-16	220-240/1/50-16

### Related Items - 18E2AVG-E:

- [Full Specification](#)
- [Dimensional drawing](#)
- [Wiring Diagram](#)
- [Noise Curve Data](#)
- [Installation Manual](#)

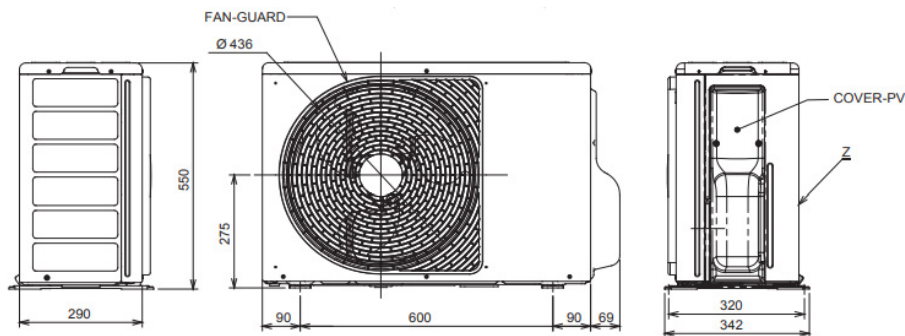


### Related Items - 24E2AVG-E:

- [Full Specification](#)
- [Dimensional Drawing](#)
- [Wiring Diagram](#)
- [Noise Curve Data](#)
- [Installation Manual](#)



\*All [Accessories / Controls](#)



# SHORAΔI *Curve*



## SHORAI CURVE: RAS - B10P2KVSGB-E

- A+++ in both heating and cooling.
- Power supply to indoor or outdoor unit.
- Features the Ultra-Pure filter (PM2.5 94%).
- HADA care flow function for high indoor air quality.
- WI-FI embedded with advanced energy monitoring .



Retail Price (interactive icons):



UK



ROI



Hi - Res Image

### MID TIER PRODUCT RANGE

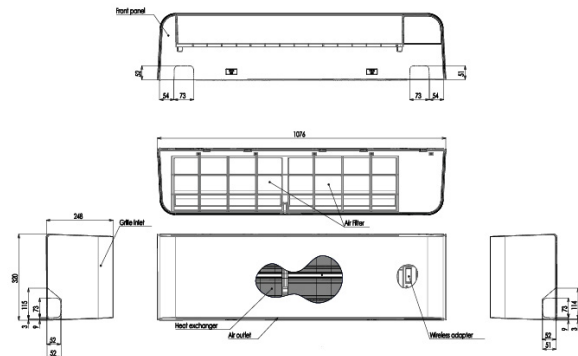
Performance				
Indoor Unit	Black	RAS-	B10P2KVSGB-E	
Indoor Unit	White	RAS-	B10P2KVSG-E	
Outdoor Unit		RAS-	<a href="#">10P2AVSG-E</a>	
Nominal	Cooling Capacity	kW	2.5	
	Heating Capacity	kW	3.2	
	EER/COP	W/W	4.63/4.57	
UK	Cooling Total/Sensible	kW	3.42/2.74	
	Heating	kW	2.61	
	Range Min. - Max.	kW	1.00 - 3.20	
Cooling EN14825	Power Input	kW	0.54	
	Pdesign	kW	2.5	
	SEER/Energy Efficiency Class			8.60/A+++
	Seasonal Energy Consumption	kWh/a		102
Heating EN14825	Range Min. - Max.	kW	1.00 - 4.80	
	Power Input	kW	0.70	
	Pdesign	kW	2.5	
	SCOP/Energy Efficiency Class			5.10/A+++
	Seasonal Energy Consumption	kWh/a		686

Indoor Data			
Air Flow	High - Low	l/s	183 - 86
	High - Low	m3/h	660 - 310
Sound	Pressure High - Low	dB(A)	41 - 19
	Power High - Low	dB(A)	54
Unit	Height x Width x Depth	mm	293x822x226
	Weight	mm	11
Pipe Connection	Flare Connections (gas - liquid)	inch	3/8" - 1/4"
	Drain Pipe Connection OD/ID	mm	16/14
Remote controller		White	WH-UA08UE
Remote controller		Black	WH-UA07UE

\*All [Accessories / Controls](#)

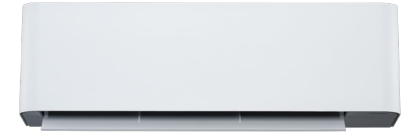
### Related Items:

- [CAD Files](#)
- [BIM Files](#)
- [Full Specification](#)
- [Dimensional Drawing](#)
- [Wiring Diagram](#)
- [Airflow/ Fan Curve](#)
- [Installation Manual](#)
- [Owners Manual](#)



## SHORAI EDGE: RAS - B13P2KVSGB-E

- A+++ in both heating and cooling.
- Power supply to indoor or outdoor unit.
- Features the Ultra-Pure filter (PM2.5 94%).
- HADA care flow function for high indoor air quality.
- WI-FI embedded with advanced energy monitoring .



Retail Price (interactive icons):



UK



ROI



Hi - Res Image

### MID TIER PRODUCT RANGE

#### Performance

Indoor Unit	Black	RAS-	B13P2KVSGB-E
Indoor Unit	White	RAS-	B13P2KVSG-E
Outdoor Unit		RAS-	<a href="#">13P2AVSG-E</a>
Nominal	Cooling Capacity	kW	3.5
	Heating Capacity	kW	4.2
	EER/COP	W/W	4.07/3.89
UK	Cooling Total/Sensible	kW	4.49/3.56
	Heating	kW	3.59
Cooling EN14825	Range Min. - Max.	kW	1.00 - 4.10
	Power Input	kW	0.86
	Pdesign	kW	3.5
	SEER/Energy Efficiency Class		8.60/A+++
	Seasonal Energy Consumption	kWh/a	142
Heating EN14825	Range Min. - Max.	kW	1.00 - 5.30
	Power Input	kW	1.08
	Pdesign	kW	3.2
	SCOP/Energy Efficiency Class		5.10/A+++
	Seasonal Energy Consumption	kWh/a	878

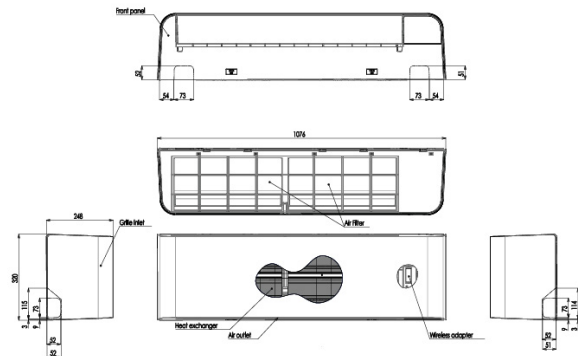
#### Indoor Data

Air Flow	High - Low	l/s	203 - 95
	High - Low	m3/h	730 - 340
Sound	Pressure High - Low	dB(A)	43 - 19
	Power High - Low	dB(A)	56
Unit	Height x Width x Depth	mm	293x822x226
	Weight	mm	11
Pipe Connection	Flare Connections (gas - liquid)	inch	3/8" - 1/4"
	Drain Pipe Connection OD/ID	mm	16/14
Remote controller		White	WH-UA08UE
Remote controller		Black	WH-UA07UE

\*All [Accessories / Controls](#)

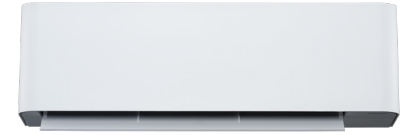
#### Related Items:

- [CAD Files](#)
- [BIM Files](#)
- [Full Specification](#)
- [Dimensional Drawing](#)
- [Wiring Diagram](#)
- [Airflow/ Fan Curve](#)
- [Installation Manual](#)
- [Owners Manual](#)



## SHORAI EDGE: RAS - B16P2KVSGB-E

- A+++ in both heating and cooling.
- Power supply to indoor or outdoor unit.
- Features the Ultra-Pure filter (PM2.5 94%).
- HADA care flow function for high indoor air quality.
- WI-FI embedded with advanced energy monitoring .



Retail Price (interactive icons):



UK



ROI



Hi - Res Image

### MID TIER PRODUCT RANGE

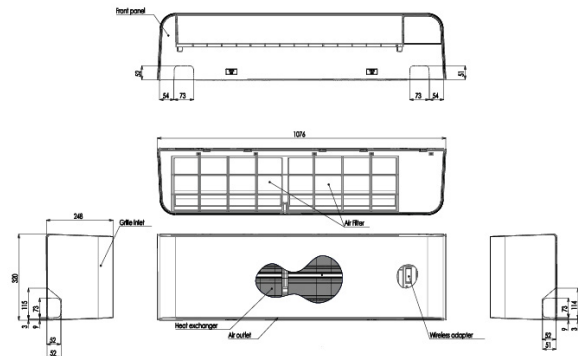
Performance			
Indoor Unit	Black	RAS-	B16P2KVSGB-E
Indoor Unit	White	RAS-	B16P2KVSG-E
Outdoor Unit		RAS-	<a href="#">16P2AVSG-E</a>
Nominal	Cooling Capacity	kW	4.6
	Heating Capacity	kW	5.5
	EER/COP	W/W	3.41/3.72
UK	Cooling Total/Sensible	kW	4.88/3.57
	Heating	kW	3.83
Cooling EN14825	Range Min. - Max.	kW	1.20 - 5.30
	Power Input	kW	1.35
	Pdesign	kW	4.6
	SEER/Energy Efficiency Class		7.80/A++
	Seasonal Energy Consumption	kWh/a	206
Heating EN14825	Range Min. - Max.	kW	1.10 - 6.50
	Power Input	kW	1.48
	Pdesign	kW	4.0
	SCOP/Energy Efficiency Class		4.60/A++
	Seasonal Energy Consumption	kWh/a	1217

Indoor Data			
Air Flow	High - Low	l/s	211 - 100
	High - Low	m3/h	760 - 360
Sound	Pressure High - Low	dB(A)	44 - 22
	Power High - Low	dB(A)	57
Unit	Height x Width x Depth	mm	293x822x226
	Weight	mm	11
Pipe Connection	Flare Connections (gas - liquid)	inch	1/2" - 1/4"
	Drain Pipe Connection OD/ID	mm	16/14
Remote controller		White	WH-UA08UE
Remote controller		Black	WH-UA07UE

\*All [Accessories / Controls](#)

### Related Items:

- [CAD Files](#)
- [BIM Files](#)
- [Full Specification](#)
- [Dimensional Drawing](#)
- [Wiring Diagram](#)
- [Airflow/ Fan Curve](#)
- [Installation Manual](#)
- [Owners Manual](#)



## SHORAI EDGE: RAS - B18P2KVSGB-E

- A+++ in both heating and cooling.
- Power supply to indoor or outdoor unit.
- Features the Ultra-Pure filter (PM2.5 94%).
- HADA care flow function for high indoor air quality.
- WI-FI embedded with advanced energy monitoring .



Retail Price (interactive icons):



UK



ROI



Hi - Res Image

### MID TIER PRODUCT RANGE

#### Performance

Indoor Unit	Black	RAS-	B18P2KVSGB-E	
Indoor Unit	White	RAS-	B18P2KVSG-E	
Outdoor Unit		RAS-	<a href="#">18P2AVSG-E</a>	
Nominal	Cooling Capacity	kW	5.0	
	Heating Capacity	kW	6.0	
	EER/COP	W/W	3.52/3.77	
UK	Cooling Total/Sensible	kW	5.96/4.24	
	Heating	kW	3.98	
	Range Min. - Max.	kW	1.20 - 6.00	
Cooling EN14825	Power Input	kW	1.42	
	Pdesign	kW	5.0	
	SEER/Energy Efficiency Class			7.30/A++
	Seasonal Energy Consumption		kWh/a	240
	Range Min. - Max.		kW	1.10 - 6.50
Heating EN14825	Power Input	kW	1.59	
	Pdesign	kW	4.3	
	SCOP/Energy Efficiency Class			4.60/A++
	Seasonal Energy Consumption		kWh/a	1309
	Range Min. - Max.		kW	1.10 - 6.50

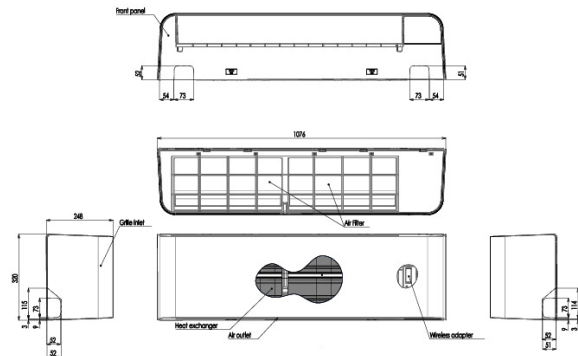
#### Indoor Data

Air Flow	High - Low	l/s	275 - 158
	High - Low	m3/h	990 - 570
Sound	Pressure High - Low	dB(A)	44 - 26
	Power High - Low	dB(A)	57
Unit	Height x Width x Depth	mm	320x1076x248
	Weight	mm	14
Pipe Connection	Flare Connections (gas - liquid)	inch	1/2" - 1/4"
	Drain Pipe Connection OD/ID	mm	16/14
Remote controller		White	WH-UA08UE
Remote controller		Black	WH-UA07UE

\*All [Accessories / Controls](#)

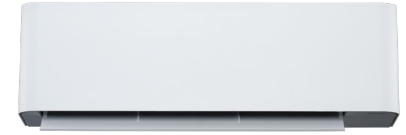
#### Related Items:

- [CAD Files](#)
- [BIM Files](#)
- [Full Specification](#)
- [Dimensional Drawing](#)
- [Wiring Diagram](#)
- [Airflow/ Fan Curve](#)
- [Installation Manual](#)
- [Owners Manual](#)



## SHORAI EDGE: RAS - B22P2KVSGB-E

- A+++ in both heating and cooling.
- Power supply to indoor or outdoor unit.
- Features the Ultra-Pure filter (PM2.5 94%).
- HADA care flow function for high indoor air quality.
- WI-FI embedded with advanced energy monitoring .



Retail Price (interactive icons):



UK



ROI



Hi - Res Image

### MID TIER PRODUCT RANGE

#### Performance

Indoor Unit	Black	RAS-	B22P2KVSGB-E
Indoor Unit	White	RAS-	B22P2KVSG-E
Outdoor Unit		RAS-	<a href="#">22P2AVSG-E</a>
Nominal	Cooling Capacity	kW	6.1
	Heating Capacity	kW	7.0
	EER/COP	W/W	3.07/3.50
UK	Cooling Total/Sensible	kW	6.84/4.71
	Heating	kW	5.27
	Range Min. - Max.	kW	1.39 - 6.70
Cooling EN14825	Power Input	kW	1.99
	Pdesign	kW	6.1
	SEER/Energy Efficiency Class		7.30/A++
	Seasonal Energy Consumption	kWh/a	292
Heating EN14825	Range Min. - Max.	kW	1.15 - 7.50
	Power Input	kW	2
	Pdesign	kW	4.7
	SCOP/Energy Efficiency Class		4.60/A++
	Seasonal Energy Consumption	kWh/a	1430

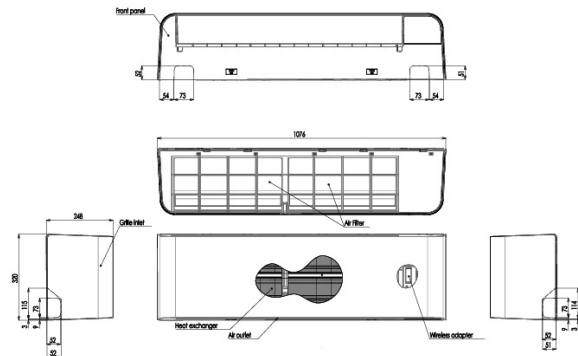
#### Indoor Data

Air Flow	High - Low	l/s	300 - 191
	High - Low	m3/h	1080 - 690
Sound	Pressure High - Low	dB(A)	46 - 27
	Power High - Low	dB(A)	59
Unit	Height x Width x Depth	mm	320x1076x248
	Weight	mm	14
Pipe Connection	Flare Connections (gas - liquid)	inch	1/2" - 1/4"
	Drain Pipe Connection OD/ID	mm	16/14
Remote controller		White	WH-UA08UE
Remote controller		Black	WH-UA07UE

\*All [Accessories / Controls](#)

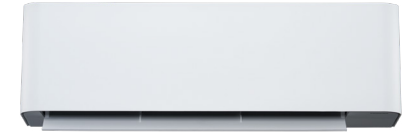
#### Related Items:

- [CAD Files](#)
- [BIM Files](#)
- [Full Specification](#)
- [Dimensional Drawing](#)
- [Wiring Diagram](#)
- [Airflow/ Fan Curve](#)
- [Installation Manual](#)
- [Owners Manual](#)



## SHORAI EDGE: RAS - B24P2KVSGB-E

- A+++ in both heating and cooling.
- Power supply to indoor or outdoor unit.
- Features the Ultra-Pure filter (PM2.5 94%).
- HADA care flow function for high indoor air quality.
- WI-FI embedded with advanced energy monitoring .



Retail Price (interactive icons):



UK



ROI



Hi - Res Image

### MID TIER PRODUCT RANGE

#### Performance

Indoor Unit	Black	RAS-	B24P2KVSGB-E
Indoor Unit	White	RAS-	B24P2KVSG-E
Outdoor Unit		RAS-	<a href="#">24P2AVSG-E</a>
Nominal	Cooling Capacity	kW	7.0
	Heating Capacity	kW	8.0
	EER/COP	W/W	3.11/3.40
UK	Cooling Total/Sensible	kW	6.84/4.71
	Heating	kW	5.27
Cooling EN14825	Range Min. - Max.	kW	1.70 - 7.70
	Power Input	kW	2.35
	Pdesign	kW	7.0
	SEER/Energy Efficiency Class		6.30/A++
Heating EN14825	Seasonal Energy Consumption	kWh/a	389
	Range Min. - Max.	kW	1.70 - 8.80
	Power Input	kW	2.35
	Pdesign	kW	6.3
	SCOP/Energy Efficiency Class		4.10/A+
Seasonal Energy Consumption	kWh/a	2151	

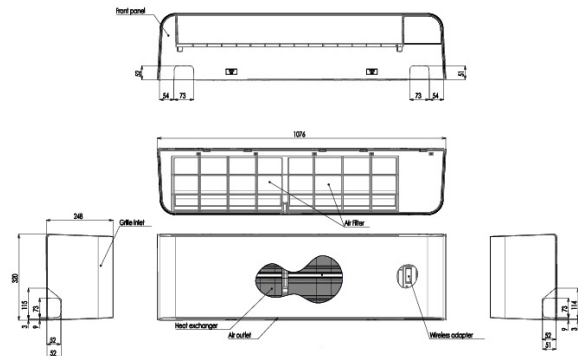
#### Indoor Data

Air Flow	High - Low	l/s	316 - 200
	High - Low	m3/h	1140 - 720
Sound	Pressure High - Low	dB(A)	47 - 28
	Power High - Low	dB(A)	60
Unit	Height x Width x Depth	mm	320x1076x248
	Weight	mm	15
Pipe Connection	Flare Connections (gas - liquid)	inch	1/2" - 1/4"
	Drain Pipe Connection OD/ID	mm	16/14
Remote controller		White	WH-UA08UE
Remote controller		Black	WH-UA07UE

\*All [Accessories / Controls](#)

#### Related Items:


- [CAD Files](#)
- [BIM Files](#)
- [Full Specification](#)
- [Dimensional Drawing](#)
- [Wiring Diagram](#)
- [Airflow/ Fan Curve](#)
- [Installation Manual](#)
- [Owners Manual](#)



## SHORAI EDGE: RAS - 10J2AVSG-E1 - 13J2AVSG-E1

- Power supply to indoor or outdoor unit.
- Silent CDU noise reduction function (6dBA).
- Wi-Fi compatible with advanced energy monitoring.
- Energy Class A+++/A+++ cooling and heating modes.
- Toshiba Inverter and compressor technology with R32.



Hi - Res Image 

Retail Price (interactive icons):



UK



ROI



### MID TIER PRODUCT RANGE

Performance		MID TIER PRODUCT RANGE		
Outdoor Unit		RAS-	10P2AVSG-E	13P2AVSG-E
Operating Range	Cooling	C°	-15~-46/-20~24	-15~-46/-20~24
	Heating		1890 - 525	1940 - 539
Air Flow	High	m3/h - l/s	44 - 46	47 - 49
Sound	Pressure High Cooling/Heating/Silent	dB(A)	57 - 59	60 - 62
	Power High Cooling/Heating/Silent	dB(A)	550x780x290	550x780x290
Unit	Height x Width x Depth	mm	27	31
	Weight	kg	3/8" - 1/4"	3/8" - 1/4"
Pipe Connection	Flare Connections (gas-liquid)	inch	2-20	2-20
	Min.-Max. Length	m	±12	±12
	Maximum Height Difference	m	16	16
	Drain Port Connection	mm	0.65/15	0.8/15
Refrigerant Charge	Base Charge/Chargeless Length	m	20	20
	Additional Charge	g/m	3.17	4.49
Run Current	Maximum	Amps	3 core + earth	3 core + earth
Power Cable	Outdoor to Indoor		230/1/50-10	230/1/50-16
Power Supply	Suggested Fuse Size	V/ph/Hz-A	220-240/1/50-10	220-240/1/50-16

### Related Items - 10J2AVSG-E1:

- [Full Specification](#)
- [Dimensional Drawing](#)
- [Wiring Diagram](#)
- [Noise Curve Data](#)
- [Installation Manual](#)

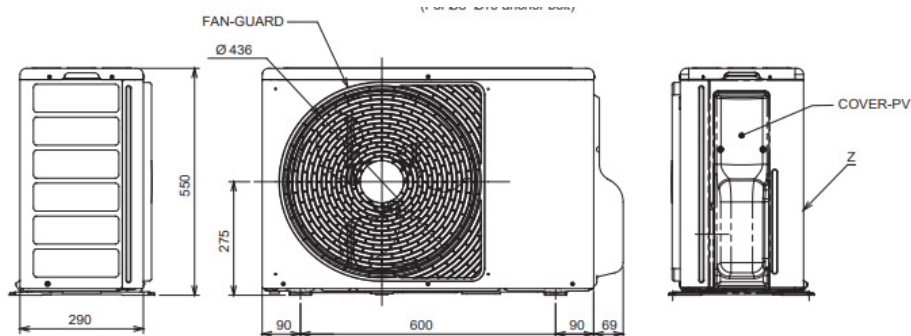


### Related Items - 13J2AVSG-E1:

- [Full Specification](#)
- [Dimensional Drawing](#)
- [Wiring Diagram](#)
- [Noise Curve Data](#)
- [Installation Manual](#)



\*All [Accessories / Controls](#)



## SHORAI EDGE: RAS - 16J2AVSG-E1 - 18J2AVSG-E1

- Power supply to indoor or outdoor unit.
- Silent CDU noise reduction function (6dBA).
- Wi-Fi compatible with advanced energy monitoring.
- Energy Class A+++/A+++ cooling and heating modes.
- Toshiba Inverter and compressor technology with R32.



Hi - Res Image

Retail Price (interactive icons):



UK



ROI



### MID TIER PRODUCT RANGE

#### Performance

Outdoor Unit		RAS-	16P2AVSG-E	18P2AVSG-E
Operating Range	Cooling	C°	-15~-46/-20~24	-15~-46/-20~24
	Heating		2040 - 567	2070 - 575
Air Flow	High	m3/h - l/s	49 - 50	49 - 50
Sound	Pressure High Cooling/Heating/Silent	dB(A)	62 - 63	62 - 63
	Power High Cooling/Heating/Silent	dB(A)	550x780x290	550x780x290
Unit	Height x Width x Depth	mm	30	32
	Weight	kg	1/2" - 1/4"	1/2" - 1/4"
Pipe Connection	Flare Connections (gas-liquid)	inch	2-20	2-20
	Min.-Max. Length	m	±12	±12
	Maximum Height Difference	m	16	16
	Drain Port Connection	mm	0.8/15	1.1/15
Refrigerant Charge	Base Charge/Chargeless Length	m	20	20
	Additional Charge	g/m	6.31	6.62
Run Current	Maximum	Amps	3 core + earth	3 core + earth
Power Cable	Outdoor to Indoor		230/1/50-16	230/1/50-16
Power Supply	Suggested Fuse Size	V/ph/Hz-A	220-240/1/50-16	220-240/1/50-16

#### Related Items - 16J2AVSG-E1:

- [Full Specification](#)
- [Dimensional Drawing](#)
- [Wiring Diagram](#)
- [Noise Curve Data](#)
- [Installation Manual](#)

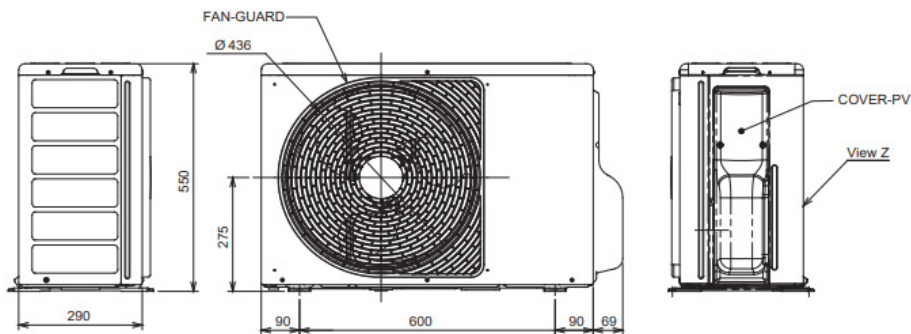


#### Related Items - 18J2AVSG-E1:

- [Full Specification](#)
- [Dimensional Drawing](#)
- [Wiring Diagram](#)
- [Noise Curve Data](#)
- [Installation Manual](#)




\*All [Accessories / Controls](#)



## SHORAI EDGE: RAS - 22J2AVSG-E1 - 24J2AVSG-E1

- Power supply to indoor or outdoor unit.
- Silent CDU noise reduction function (6dBA).
- Wi-Fi compatible with advanced energy monitoring.
- Energy Class A+++/A+++ cooling and heating modes.
- Toshiba Inverter and compressor technology with R32.



Hi - Res Image 

Retail Price (interactive icons):



UK



ROI



### MID TIER PRODUCT RANGE

Performance		MID TIER PRODUCT RANGE		
Outdoor Unit		RAS-	22P2AVSG-E	24P2AVSG-E
Operating Range	Cooling	C°	-15~-46/-20~24	-15~-46/-20~24
	Heating		2180 - 606	2910 - 808
Air Flow	High	m3/h - l/s	50 - 51	52 - 54
Sound	Pressure High Cooling/Heating/Silent	dB(A)	63 - 64	65 - 67
	Power High Cooling/Heating/Silent	dB(A)	550x780x290	630x800x300
Unit	Height x Width x Depth	mm	33	36
	Weight	kg	1/2" - 1/4"	1/2" - 1/4"
Pipe Connection	Flare Connections (gas-liquid)	inch	2-20	2-25
	Min.-Max. Length	m	±12	±15
	Maximum Height Difference	m	16	16
	Drain Port Connection	mm	1.1/15	1.14/15
Refrigerant Charge	Base Charge/Chargeless Length	m	20	20
	Additional Charge	g/m	8.44	9.96
Run Current	Maximum	Amps	3 core + earth	3 core + earth
Power Cable	Outdoor to Indoor		230/1/50-16	230/1/50-16
Power Supply	Suggested Fuse Size	V/ph/Hz-A	220-240/1/50-16	220-240/1/50-16

### Related Items - 22J2AVSG-E1:

- [Full Specification](#)
- [Dimensional Drawing](#)
- [Wiring Diagram](#)
- [Noise Curve Data](#)
- [Installation Manual](#)

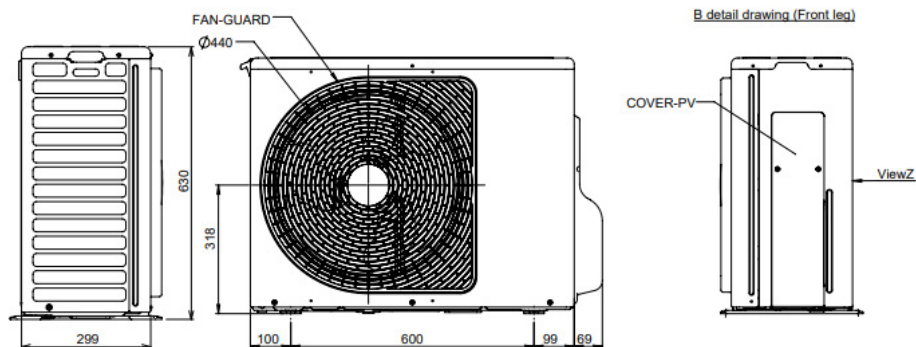


### Related Items - 24J2AVSG-E1:

- [Full Specification](#)
- [Dimensional Drawing](#)
- [Wiring Diagram](#)
- [Noise Curve Data](#)
- [Installation Manual](#)



\*All [Accessories / Controls](#)



# HAORI



## HAORI: RAS - B10N4KVRG-E1

- Ultra quiet systems less than 19dB(A).
- Power supply to indoor or outdoor unit.
- Factory-integrated WI-FI with Energy monitoring.
- Fabrics with infinite possibilities , let your style be your guide.
- Toshiba Plasma Ionizer catches and neutralizes the contaminated particles.



Retail Price (interactive icons):



UK



ROI



Hi - Res Image



### HIGH TIER PRODUCT RANGE

Performance		RAS-	B10N4KVRG-E1
Indoor Unit		RAS-	B10N4KVRG-E1
Outdoor Unit		RAS-	<a href="#">10J2AVSG-E1</a>
Nominal	Cooling Capacity	kW	2.5
	Heating Capacity	kW	3.2
	EER/COP	W/W	4.63/4.32
UK	Cooling Total/Sensible	kW	2.44/1.93
	Heating	kW	1.86
Cooling EN14825	Range Min. - Max.	kW	0.89 - 3.20
	Power Input	kW	0.54
	Pdesign	kW	2.5
	SEER/Energy Efficiency Class		8.50/A+++
	Seasonal Energy Consumption	kWh/a	102
Heating EN14825	Range Min. - Max.	kW	0.90 - 4.70
	Power Input	kW	0.74
	Pdesign	kW	2.5
	SCOP/Energy Efficiency Class		5.10/A+++
	Seasonal Energy Consumption	kWh/a	684

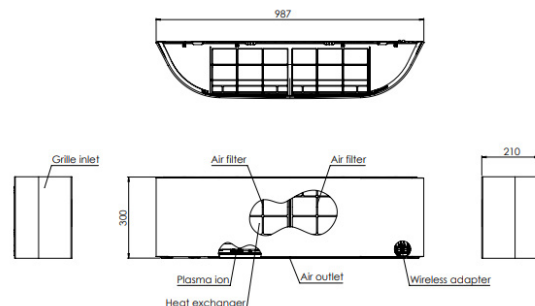
Indoor Data			
Air Flow	High - Low	l/s	169 - 83
	High - Low	m3/h	610 - 300
Sound	Pressure High - Low	dB(A)	41 - 19
	Power High - Low	dB(A)	55 - 34
Unit	Height x Width x Depth	mm	300x987x210
	Weight	kg	11
Pipe Connection	Flare Connections (gas - liquid)	inch	3/8" - 1/4"
	Drain Pipe Connection OD/ID	mm	16/14
Remote controller			WH-UA01UE

Accessories			
<a href="#">RB-I4101-E</a>	Fabric Cover Kit (supplied loose)	Fabric Dark Gray	
<a href="#">RB-I4102-E</a>	Fabric Cover Kit (supplied loose)	Fabric Light Gray	
<a href="#">RB-I4103-E</a>	Fabric Cover Kit (supplied loose)	Fabric Bluish Gray	
<a href="#">RB-I4104-E</a>	Fabric Cover Kit (supplied loose)	Fabric Gray Beige	
<a href="#">RB-I4105-E</a>	Fabric Cover Kit (supplied loose)	Fabric Dark Brown	
<a href="#">RB-I4106-E</a>	Fabric Cover Kit (supplied loose)	Fabric Emerald Blue	

\*All [Accessories / Controls](#)

### Related Items:

- [BIM Files](#)
- [CAD Files](#)
- [Full Specification](#)
- [Airflow/ Fan Curve](#)
- [Dimensional Drawing](#)
- [Wiring Diagram](#)
- [Installation Manual](#)
- [Owners Manual](#)



## HAORI: RAS - B13N4KVRG-E

- Ultra quiet systems less than 19dB(A).
- Power supply to indoor or outdoor unit.
- Factory-integrated WI-FI with Energy monitoring.
- Fabrics with infinite possibilities , let your style be your guide.
- Toshiba Plasma Ionizer catches and neutralizes the contaminated particles.



Retail Price (interactive icons):




UK



ROI



Hi - Res Image 

### HIGH TIER PRODUCT RANGE

Performance				
Indoor Unit		RAS-	B13N4KVRG-E	
Outdoor Unit		RAS-	<a href="#">13J2AVSG-E1</a>	
Nominal	Cooling Capacity	kW	3.5	
	Heating Capacity	kW	4.2	
	EER/COP	W/W	4.38/3.89	
UK	Cooling Total/Sensible	kW	3.42/2.64	
	Heating	kW	2.54	
Cooling EN14825	Range Min. - Max.	kW	1.00 - 4.10	
	Power Input	kW	0.80	
	Pdesign	kW	3.5	
	SEER/Energy Efficiency Class			8.60/A+++
	Seasonal Energy Consumption	kWh/a		142
Heating EN14825	Range Min. - Max.	kW	1.00 - 5.30	
	Power Input	kW	1.08	
	Pdesign	kW	3.2	
	SCOP/Energy Efficiency Class			5.10/A+++
	Seasonal Energy Consumption	kWh/a		876

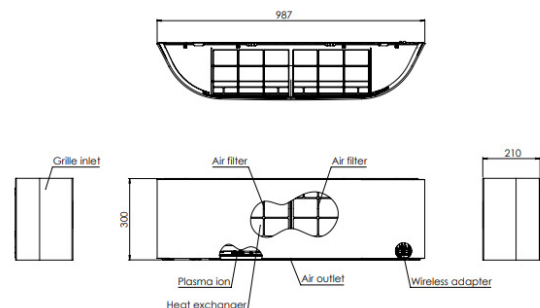
Indoor Data			
Air Flow	High - Low	l/s	189 - 89
	High - Low	m3/h	680 - 320
Sound	Pressure High - Low	dB(A)	43 - 19
	Power High - Low	dB(A)	57 - 34
Unit	Height x Width x Depth	mm	300x987x210
	Weight	kg	11
Pipe Connection	Flare Connections (gas - liquid)	inch	3/8" - 1/4"
	Drain Pipe Connection OD/ID	mm	16/14
Remote controller			WH-UA01UE

Accessories			
<a href="#">RB-I4101-E</a>	Fabric Cover Kit (supplied loose)	Fabric Dark Gray	
<a href="#">RB-I4102-E</a>	Fabric Cover Kit (supplied loose)	Fabric Light Gray	
<a href="#">RB-I4103-E</a>	Fabric Cover Kit (supplied loose)	Fabric Bluish Gray	
<a href="#">RB-I4104-E</a>	Fabric Cover Kit (supplied loose)	Fabric Gray Beige	
<a href="#">RB-I4105-E</a>	Fabric Cover Kit (supplied loose)	Fabric Dark Brown	
<a href="#">RB-I4106-E</a>	Fabric Cover Kit (supplied loose)	Fabric Emerald Blue	

\*All [Accessories / Controls](#)

### Related Items:


- [BIM Files](#)
- [CAD Files](#)
- [Full Specification](#)
- [Airflow/ Fan Curve](#)
- [Dimensional Drawing](#)
- [Wiring Diagram](#)
- [Installation Manual](#)
- [Owners Manual](#)



## HAORI: RAS - B16N4KVRG-E

- Ultra quiet systems less than 19dB(A).
- Power supply to indoor or outdoor unit.
- Factory-integrated WI-FI with Energy monitoring.
- Fabrics with infinite possibilities , let your style be your guide.
- Toshiba Plasma Ionizer catches and neutralizes the contaminated particles.



Hi - Res Image 

Retail Price (interactive icons):



UK



ROI



### HIGH TIER PRODUCT RANGE

Performance				
Indoor Unit		RAS-	B16N4KVRG-E	
Outdoor Unit		RAS-	<a href="#">16J2AVSG-E1</a>	
Nominal	Cooling Capacity	kW	4.6	
	Heating Capacity	kW	5.5	
	EER/COP	W/W	3.41/3.62	
UK	Cooling Total/Sensible	kW	4.49/3.42	
	Heating	kW	3.37	
Cooling EN14825	Range Min. - Max.	kW	1.20 - 5.30	
	Power Input	kW	1.35	
	Pdesign	kW	4.6	
	SEER/Energy Efficiency Class			7.80/A++
	Seasonal Energy Consumption	kWh/a		206
Heating EN14825	Range Min. - Max.	kW	1.10 - 6.30	
	Power Input	kW	1.52	
	Pdesign	kW	4.0	
	SCOP/Energy Efficiency Class			4.60/A++
	Seasonal Energy Consumption	kWh/a		1214

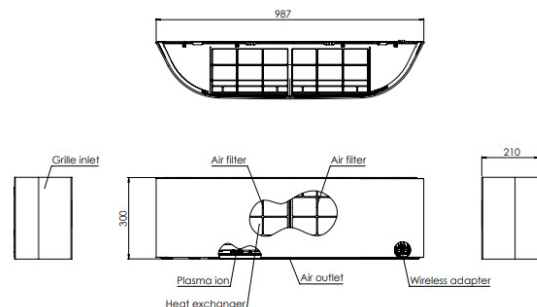
Indoor Data			
Air Flow	High - Low	l/s	202 - 94
	High - Low	m3/h	730 - 340
Sound	Pressure High - Low	dB(A)	45 - 22
	Power High - Low	dB(A)	59 - 37
Unit	Height x Width x Depth	mm	300x987x210
	Weight	kg	12
Pipe Connection	Flare Connections (gas - liquid)	inch	1/2" - 1/4"
	Drain Pipe Connection OD/ID	mm	16/14
Remote controller			WH-UA01UE

Accessories			
<a href="#">RB-I4101-E</a>	Fabric Cover Kit (supplied loose)	Fabric Dark Gray	
<a href="#">RB-I4102-E</a>	Fabric Cover Kit (supplied loose)	Fabric Light Gray	
<a href="#">RB-I4103-E</a>	Fabric Cover Kit (supplied loose)	Fabric Bluish Gray	
<a href="#">RB-I4104-E</a>	Fabric Cover Kit (supplied loose)	Fabric Gray Beige	
<a href="#">RB-I4105-E</a>	Fabric Cover Kit (supplied loose)	Fabric Dark Brown	
<a href="#">RB-I4106-E</a>	Fabric Cover Kit (supplied loose)	Fabric Emerald Blue	

\*All [Accessories / Controls](#)

### Related Items:


- [BIM Files](#)
- [CAD Files](#)
- [Full Specification](#)
- [Airflow/ Fan Curve](#)
- [Dimensional Drawing](#)
- [Wiring Diagram](#)
- [Installation Manual](#)
- [Owners Manual](#)



## HAORI: RAS - 10J2AVSG-E1 - 16J2AVSG-E1

- Power supply to indoor or outdoor unit.
- Outdoor unit silent operation down to 39 dB(A).
- WI-FI compatible with advanced energy monitoring.
- Energy Class A+++/A+++ cooling and heating modes.
- Toshiba Inverter and compressor technology with R32.



Hi - Res Image 

Retail Price (interactive icons):



UK



ROI



### HIGH TIER PRODUCT RANGE

Performance		HIGH TIER PRODUCT RANGE			
Outdoor Unit		RAS-	10J2AVSG-E1	13J2AVSG-E1	16J2AVSG-E1
Operating Range	Cooling	C°	-15 ~ 46	-15 ~ 46	-15 ~ 46
	Heating		-15 ~ 24	-15 ~ 24	-15 ~ 24
Air Flow	High	m <sup>3</sup> /h - l/s	1890 - 524	1950 - 540	2040 - 566
Sound	Pressure High Cooling/Heating/Silent	dB(A)	44 - 46	46 - 48	48 - 50
	Power High Cooling/Heating/Silent	dB(A)	59 - 59	59 - 61	61 - 63
Unit	Height x Width x Depth	mm	550x780x290	550x780x290	550x780x290
	Weight	kg	26	30	33
Pipe Connection	Flare Connections (gas-liquid)	inch	3/8" - 1/4"	3/8" - 1/4"	1/2" - 1/4"
	Min.-Max. Length	m	2-20	2-20	2-20
	Maximum Height Difference	m	±12	±12	±12
	Drain Port Connection	mm	16	16	16
Refrigerant Charge	Base Charge/Chargeless Length	m	0.55/15	0.8/15	0.8/15
	Additional Charge	g/m	20	20	20
Run Current	Maximum	Amps	3.25	4.80	6.75
Power Cable	Outdoor to Indoor		3 core + earth	3 core + earth	3 core + earth
Power Supply	Suggested Fuse Size	V/ph/Hz-A	220-240/1/50-10	220-240/1/50-10	220-240/1/50-16

### Related Items - 10J2AVSG-E1:

- [Full Specification](#)
- [Dimensional Drawing](#)
- [Wiring Diagram](#)
- [Noise Curve Data](#)
- [Installation Manual](#)



### Related Items - 13J2AVSG-E1:

- [Full Specification](#)
- [Dimensional Drawing](#)
- [Wiring Diagram](#)
- [Noise Curve Data](#)
- [Installation Manual](#)

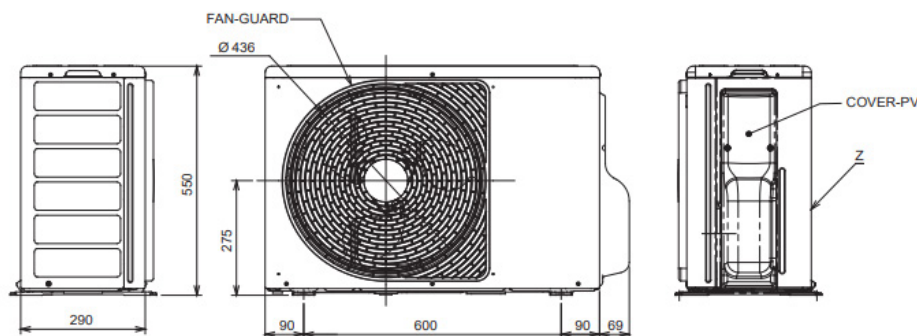


### Related Items - 16J2AVSG-E1:

- [Full Specification](#)
- [Dimensional Drawing](#)
- [Wiring Diagram](#)
- [Noise Curve Data](#)
- [Installation Manual](#)



\*All [Accessories / Controls](#)



# DAISEIKAI 10



## DAISEIKAI 10: RAS - B10S4KV\*G-E

- Power supply to indoor or outdoor unit.
- WI-FI built in with advanced energy monitoring.
- New smart sensing with thermo mapping technology.
- Provides outstanding performance even down to temperatures of -30°C.
- Daiseikai 10 epitomises reliability and durability with sustainability at its core.

Retail Price (interactive icons):




UK



ROI



Hi - Res Image 

### ELITE TIER PRODUCT RANGE

Performance			
Indoor Unit	White	RAS-	B10S4KVPG-E
Indoor Unit	Wood	RAS-	B10S4KVDG-E
Outdoor Unit		RAS-	<a href="#">10S4AVPG-E</a>
Nominal	Cooling Capacity	kW	2.5
	Heating Capacity	kW	3.2
	EER/COP	W/W	5.32/5.33
UK	Cooling Total/Sensible	kW	2.44/2.03
	Heating	kW	1.90
Cooling EN14825	Range Min. - Max.	kW	0.60 - 3.50
	Power Input	kW	0.47
	Pdesign	kW	2.5
	SEER/Energy Efficiency Class		10.70/A+++
	Seasonal Energy Consumption	kWh/a	82
Heating EN14825	Range Min. - Max.	kW	0.65 - 5.80
	Power Input	kW	0.60
	Pdesign	kW	3.0
	SCOP/Energy Efficiency Class		5.30/A+++
	Seasonal Energy Consumption	kWh/a	792

Indoor Data			
Air Flow	High - Low	l/s	208 - 83
	High - Low	m3/h	750 - 300
Sound	Pressure High - Low	dB(A)	41 - 25
	Power High - Low	dB(A)	55 - 40
Unit	Height x Width x Depth (White)	mm	293 x 930 x 255
	Height x Width x Depth (Wood)	mm	293 x 940 x 257
	Weight (White/Wood)	kg	14/16
Pipe Connection	Flare Connections (gas - liquid)	inch	3/8" - 1/4"
	Drain Pipe Connection OD/ID	mm	16/14
Remote controller	White		WH-UD02UE
Remote controller	Wood		WH-UD01UE

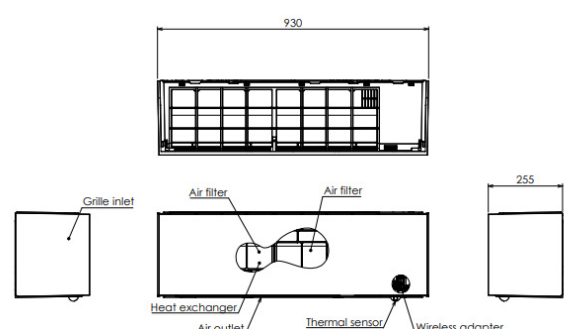
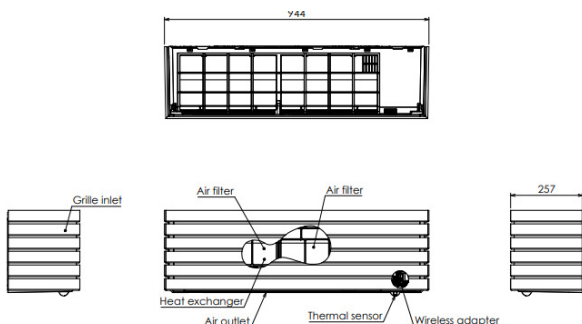
### Related Items - WOOD:

- [Full Specification](#)
- [Dimensional Drawing](#)
- [Wiring Diagram](#)



### Related Items - WHITE:

- [Full Specification](#)
- [Dimensional Drawing](#)
- [Wiring Diagram](#)
- [Installation Manual](#)



## DAISEIKAI 10: RAS - B13S4KVPG-E

- Power supply to indoor or outdoor unit.
- WI-FI built in with advanced energy monitoring.
- New smart sensing with thermo mapping technology.
- Provides outstanding performance even down to temperatures of -30°C.
- Daiseikai 10 epitomises reliability and durability with sustainability at its core.



Hi - Res Image

Retail Price (interactive icons):



UK



ROI



### ELITE TIER PRODUCT RANGE

Performance			
Indoor Unit	White	RAS-	B13S4KVPG-E
Indoor Unit	Wood	RAS-	B13S4KVDG-E
Outdoor Unit		RAS-	<a href="#">13S4AVPG-E</a>
Nominal	Cooling Capacity	kW	3.5
	Heating Capacity	kW	4.0
	EER/COP	W/W	4.38/5.00
UK	Cooling Total/Sensible	kW	3.42/2.74
	Heating	kW	2.51
Cooling EN14825	Range Min. - Max.	kW	0.90 - 4.20
	Power Input	kW	0.80
	Pdesign	kW	3.5
	SEER/Energy Efficiency Class		9.70/A+++
	Seasonal Energy Consumption	kWh/a	126
Heating EN14825	Range Min. - Max.	kW	0.70 - 6.30
	Power Input	kW	.80
	Pdesign	kW	3.6
	SCOP/Energy Efficiency Class		5.20/A+++
	Seasonal Energy Consumption	kWh/a	969

Indoor Data			
Air Flow	High - Low	l/s	222 - 91
	High - Low	m3/h	800 - 330
Sound	Pressure High - Low	dB(A)	42 - 26
	Power High - Low	dB(A)	57 - 41
Unit	Height x Width x Depth (White)	mm	293 x 930 x 255
	Height x Width x Depth (Wood)	mm	293 x 940 x 257
	Weight (White/Wood)	kg	14/16
Pipe Connection	Flare Connections (gas - liquid)	inch	3/8" - 1/4"
	Drain Pipe Connection OD/ID	mm	16/14
Remote controller	White		WH-UD02UE
Remote controller	Wood		WH-UD01UE

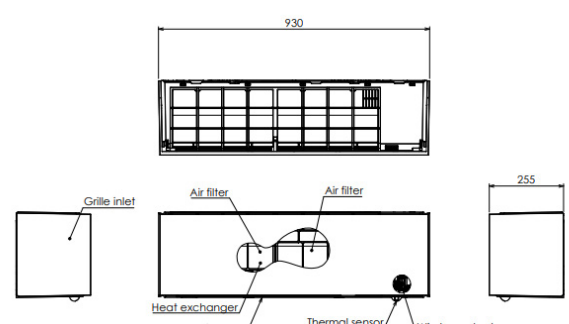
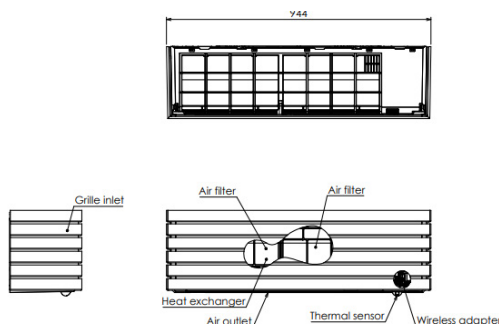
### Related Items - WOOD:

- [Full Specification](#)
- [Dimensional Drawing](#)
- [Wiring Diagram](#)



### Related Items - WHITE:

- [Full Specification](#)
- [Dimensional Drawing](#)
- [Wiring Diagram](#)
- [Installation Manual](#)



## DAISEIKAI 10: RAS - B18S4KVPG-E

- Power supply to indoor or outdoor unit.
- WI-FI built in with advanced energy monitoring.
- New smart sensing with thermo mapping technology.
- Provides outstanding performance even down to temperatures of -30°C.
- Daiseikai 10 epitomises reliability and durability with sustainability at its core.

Retail Price (interactive icons):




UK



ROI



Hi - Res Image 

### ELITE TIER PRODUCT RANGE

#### Performance

Indoor Unit	White	RAS-	B18S4KVPG-E
Indoor Unit	Wood	RAS-	B18S4KVDG-E
Outdoor Unit		RAS-	<a href="#">18S4AVPG-E</a>
Nominal	Cooling Capacity	kW	5.0
	Heating Capacity	kW	6.0
	EER/COP	W/W	3.57/4.14
UK	Cooling Total/Sensible	kW	4.40/3.56
	Heating	kW	3.43
Cooling EN14825	Range Min. - Max.	kW	0.90 - 6.0
	Power Input	kW	1.40
	Pdesign	kW	5.0
	SEER/Energy Efficiency Class		8.60/A+++
	Seasonal Energy Consumption	kWh/a	203
Heating EN14825	Range Min. - Max.	kW	0.80 - 7.20
	Power Input	kW	1.45
	Pdesign	kW	4.5
	SCOP/Energy Efficiency Class		4.80/A++
	Seasonal Energy Consumption	kWh/a	1312

#### Indoor Data

Air Flow	High - Low	l/s	225 - 2
	High - Low	m3/h	810 - 37
Sound	Pressure High - Low	dB(A)	45 - 26
	Power High - Low	dB(A)	59 - 41
Unit	Height x Width x Depth (White)	mm	293 x 930 x 255
	Height x Width x Depth (Wood)	mm	293 x 940 x 257
	Weight (White/Wood)	kg	14/16
Pipe Connection	Flare Connections (gas - liquid)	inch	1/2" - 1/4"
	Drain Pipe Connection OD/ID	mm	16/14
Remote controller	White		WH-UD02UE
Remote controller	Wood		WH-UD01UE

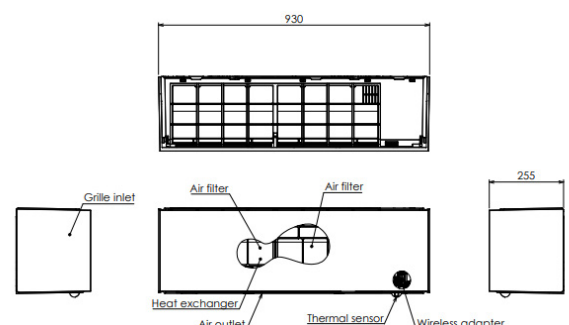
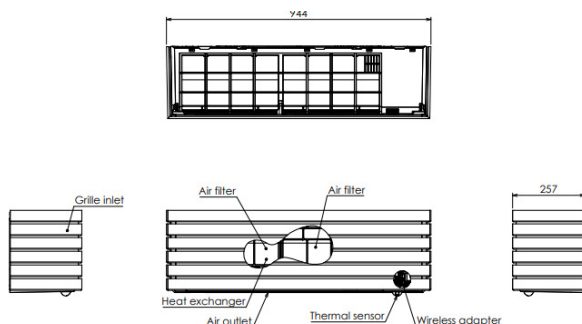
#### Related Items - WOOD:

- [Full Specification](#)
- [Dimensional Drawing](#)
- [Wiring Diagram](#)



#### Related Items - WHITE:


- [Full Specification](#)
- [Dimensional Drawing](#)
- [Wiring Diagram](#)



## DAISEIKAI 10: RAS - 10S4AVPG-E - B18S4KVPGE

- Supports energy monitoring.
- High efficiency SCOP/SEER A+++.
- Power supply to indoor or outdoor unit.
- DAISEIKAI 10 epitomizes reliability and durability.
- Outstanding performances even down to -30°C.



Hi - Res Image 

Retail Price (interactive icons):



UK



ROI



### ELITE TIER PRODUCT RANGE

Performance					
Outdoor Unit		RAS-	10S4AVPG-E	13S4AVPG-E	18S4AVPG-E
Operating Range	Cooling	C°	-15 ~ 46	-15 ~ 46	-15 ~ 46
	Heating		-20 ~ 24	-20 ~ 24	-20 ~ 24
Air Flow	High	m3/h - l/s	2100 - 583	2160 - 600	2220 - 616
Sound	Pressure High Cooling/Heating/Silent	dB(A)	44 / 45 / 41	45 / 46 / 42	47 / 49 / 44
	Power High Cooling/Heating/Silent	dB(A)	57 / 58 / 54	58 / 59 / 55	60 / 62 / 57
Unit	Height x Width x Depth	mm	630 x 800 x 300	630 x 800 x 300	630 x 800 x 300
	Weight	kg	38	38	38
Pipe Connection	Flare Connections (gas-liquid)	inch	3/8" - 1/4"	3/8" - 1/4"	1/2" - 1/4"
	Min.-Max. Length	m	2-25	2-25	2-25
	Maximum Height Difference	m	±15	±15	±15
	Drain Port Connection	mm	16	16	16
Refrigerant Charge	Base Charge/Chargeless Length	m	1.0/15	1.0/15	1.0/15
	Additional Charge	g/m	20	20	20
Run Current	Maximum	Amps	3.40	4.01	6.44
Power Cable	Outdoor to Indoor		3 core + earth	3 core + earth	3 core + earth
Power Supply	Suggested Fuse Size	V/ph/Hz-A	220-240/1/50-10	220-240/1/50-10	220-240/1/50-16

### Related Items - 10S4AVPG-E:

- [Dimensional Drawing](#)
- [Wiring Diagram](#)



### Related Items - 13S4AVPG-E:

- [Dimensional Drawing](#)
- [Wiring Diagram](#)

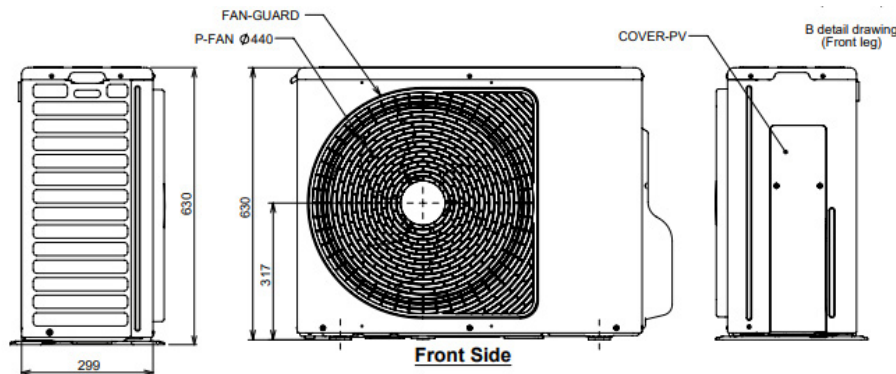


### Related Items - 18S4AVPG-E:

- [Dimensional Drawing](#)
- [Wiring Diagram](#)



\*All [Accessories / Controls](#)



# Bi-Flow



## BI-FLOW: RAS - B10J2FVG-E

- Easily blends into any decor.
- WI-FI available when utilising adapter.
- Compact design suitable for under window ledges.
- Floor mounted design to ensure perfect air distribution.
- Provides optimum comfort with A++ in heating and cooling.



Retail Price (interactive icons):




UK



ROI



Hi - Res Image 

Performance				
Indoor Unit		RAS-	B10J2FVG-E	
Outdoor Unit		RAS-	<a href="#">10J2AVSG-E1</a>	
Nominal	Cooling Capacity	kW	2.5	
	Heating Capacity	kW	3.2	
	EER/COP	W/W	4.24/3.90	
UK	Cooling Total/Sensible	kW	2.44/2.03	
	Heating	kW	1.90	
	Range Min. - Max.	kW	0.95 - 3.2	
Cooling EN14825	Power Input	kW	0.59	
	Pdesign	kW	2.5	
	SEER/Energy Efficiency Class			7.20/A++
	Seasonal Energy Consumption	kWh/a		121
	Range Min. - Max.	kW		0.85 - 4.40
Heating EN14825	Power Input	kW	0.82	
	Pdesign	kW	2.5	
	SCOP/Energy Efficiency Class			4.70/A++
	Seasonal Energy Consumption	kWh/a		744
	Range Min. - Max.	kW		0.85 - 4.40

Indoor Data			
Air Flow	High - Low	l/s	136 - 71
	High - Low	m3/h	492 - 258
Sound	Pressure High - Low	dB(A)	39 - 23
	Power High - Low	dB(A)	54 - 38
Unit	Height x Width x Depth	mm	600 x 700 x 220
	Weight	kg	16
Pipe Connection	Flare Connections (gas - liquid)	inch	3/8" - 1/4"
	Drain Pipe Connection OD/ID	mm	16/14
Remote controller			WH-TA12LE

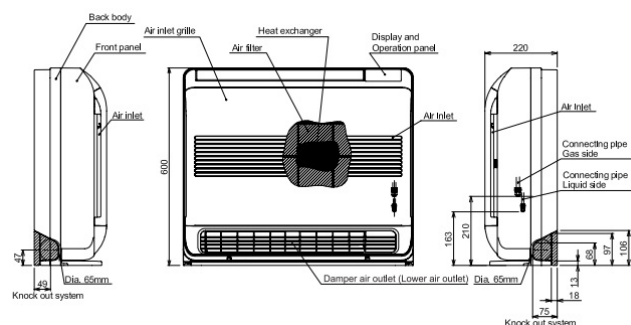
### Accessories

<a href="#">RB-1301-E</a>	Refrigerant Leak detection sensor
<a href="#">RB-N106S-G</a>	Wireless adapter with Cable

\*All [Accessories / Controls](#)

### Related Items:

- [BIM Files](#)
- [CAD Files](#)
- [Full Specification](#)
- [Airflow/ Fan Curve](#)
- [Dimensional Drawing](#)
- [Wiring Diagram](#)
- [Installation Manual](#)
- [Owners Manual](#)



## BI-FLOW: RAS - B13J2FVG-E

- Easily blends into any decor.
- WI-FI available when utilising adapter.
- Compact design suitable for under window ledges.
- Floor mounted design to ensure perfect air distribution.
- Provides optimum comfort with A++ in heating and cooling.



Retail Price (interactive icons):




UK



ROI



Hi - Res Image 

Performance				
Indoor Unit		RAS-	B13J2FVG-E	
Outdoor Unit		RAS-	13J2AVSG-E1	
Nominal	Cooling Capacity	kW	3.5	
	Heating Capacity	kW	4.2	
	EER/COP	W/W	4.02/3.31	
UK	Cooling Total/Sensible	kW	3.42/2.74	
	Heating	kW	2.51	
	Range Min. - Max.	kW	1.05 - 4.1	
Cooling EN14825	Power Input	kW	0.87	
	Pdesign	kW	3.5	
	SEER/Energy Efficiency Class			7.00/A++
	Seasonal Energy Consumption	kWh/a		174
	Range Min. - Max.	kW		1.0 - 5.0
Heating EN14825	Power Input	kW	1.27	
	Pdesign	kW	3.0	
	SCOP/Energy Efficiency Class			4.70/A++
	Seasonal Energy Consumption	kWh/a		893

Indoor Data			
Air Flow	High - Low	l/s	153 - 75
	High - Low	m3/h	552 - 270
Sound	Pressure High - Low	dB(A)	40 - 24
	Power High - Low	dB(A)	55 - 39
Unit	Height x Width x Depth	mm	600 x 700 x 220
	Weight	kg	16
Pipe Connection	Flare Connections (gas - liquid)	inch	3/8" - 1/4"
	Drain Pipe Connection OD/ID	mm	16/14
Remote controller			WH-TA12LE

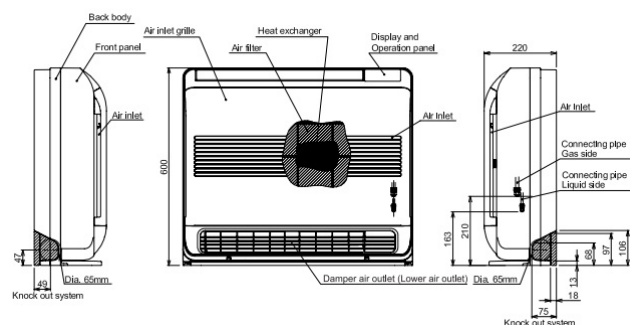
### Accessories

<a href="#">RB-1301-E</a>	Refrigerant Leak detection sensor
<a href="#">RB-N106S-G</a>	Wireless adapter with Cable

\*All [Accessories / Controls](#)

### Related Items:


- [BIM Files](#)
- [CAD Files](#)
- [Full Specification](#)
- [Airflow/ Fan Curve](#)
- [Dimensional Drawing](#)
- [Wiring Diagram](#)
- [Installation Manual](#)
- [Owners Manual](#)



## BI-FLOW: RAS - B18J2FVG-E

- Easily blends into any decor.
- WI-FI available when utilising adapter.
- Compact design suitable for under window ledges.
- Floor mounted design to ensure perfect air distribution.
- Provides optimum comfort with A++ in heating and cooling.



Hi - Res Image 

Retail Price (interactive icons):



UK



ROI



Performance				
Indoor Unit		RAS-	B18J2FVG-E	
Outdoor Unit		RAS-	<a href="#">18J2AVSG-E1</a>	
Nominal	Cooling Capacity	kW	5.0	
	Heating Capacity	kW	6.0	
	EER/COP	W/W	2.98/2.93	
UK	Cooling Total/Sensible	kW	4.40/3.56	
	Heating	kW	3.43	
	Range Min. - Max.	kW	1.2 - 5.6	
Cooling EN14825	Power Input	kW	1.68	
	Pdesign	kW	5.0	
	SEER/Energy Efficiency Class			6.80/A++
	Seasonal Energy Consumption	kWh/a		257
	Range Min. - Max.	kW		1.3 - 6.3
Heating EN14825	Power Input	kW	2.05	
	Pdesign	kW	4.0	
	SCOP/Energy Efficiency Class			4.60/A++
	Seasonal Energy Consumption	kWh/a		1217
	Range Min. - Max.	kW		1.3 - 6.3

Indoor Data			
Air Flow	High - Low	l/s	183 - 101
	High - Low	m3/h	660 - 366
Sound	Pressure High - Low	dB(A)	47 - 31
	Power High - Low	dB(A)	61 - 46
Unit	Height x Width x Depth	mm	600 x 700 x 220
	Weight	kg	16
Pipe Connection	Flare Connections (gas - liquid)	inch	1/2" - 1/4"
	Drain Pipe Connection OD/ID	mm	16/14
Remote controller			WH-TA12LE

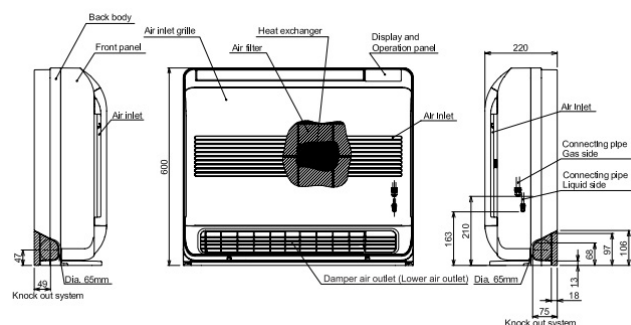
### Accessories

<a href="#">RB-1301-E</a>	Refrigerant Leak detection sensor
<a href="#">RB-N106S-G</a>	Wireless adapter with Cable

\*All [Accessories / Controls](#)

### Related Items:


- [BIM Files](#)
- [CAD Files](#)
- [Full Specification](#)
- [Airflow/ Fan Curve](#)
- [Dimensional Drawing](#)
- [Wiring Diagram](#)
- [Installation Manual](#)
- [Owners Manual](#)



## BI-FLOW: RAS - 10J2AVSG-E1 - 18J2AVSG-E1

- Auto-diagnosis function.
- Compact and light weight (34Kg).
- Outdoor unit silent operation down to 38 dB(A).
- Energy Class A++/A++ cooling and heating modes.
- Toshiba Inverter and compressor technology with R32.



Hi - Res Image 

Retail Price (interactive icons):



UK



ROI



Performance					
Outdoor Unit		RAS-	10J2AVSG-E1	13J2AVSG-E1	18J2AVSG-E1
Operating Range	Cooling	C°	-15 ~ 46	-15 ~ 46	-15 ~ 46
	Heating		-15 ~ 24	-15 ~ 24	-15 ~ 24
Air Flow	High	m3/h - l/s	1890 - 524	1950 - 540	2076 - 576
Sound	Pressure High Cooling/Heating/Silent	dB(A)	45 / 47 / 38	47 / 49 / 40	49 / 51 / 43
	Power High Cooling/Heating/Silent	dB(A)	58 / 60 / 51	60 / 62 / 53	62 / 64 / 56
Unit	Height x Width x Depth	mm	550x780x290	550x780x290	550x780x290
	Weight	kg	26	30	34
Pipe Connection	Flare Connections (gas-liquid)	inch	3/8" - 1/4"	3/8" - 1/4"	1/2" - 1/4"
	Min.-Max. Length	m	2-20	2-20	2-20
	Maximum Height Difference	m	±12	±12	±12
	Drain Port Connection	mm	16	16	16
Refrigerant Charge	Base Charge/Chargeless Length	m	0.55/15	0.80/15	1.1/15
	Additional Charge	g/m	20	20	20
Run Current	Maximum	Amps	3.97	5.22	8.05
Power Cable	Outdoor to Indoor		3 core + earth	3 core + earth	3 core + earth
Power Supply	Suggested Fuse Size	V/ph/Hz-A	220-240/1/50-10	220-240/1/50-10	220-240/1/50-16

### Related Items - 10J2AVSG-E1:

- [BIM Files](#)
- [Full Specification](#)
- [Dimensional Drawing](#)
- [Wiring Diagram](#)
- [Noise Curve Data](#)
- [Installation Manual](#)



### Related Items - 13J2AVSG-E1:

- [BIM Files](#)
- [Full Specification](#)
- [Dimensional Drawing](#)
- [Wiring Diagram](#)
- [Noise Curve Data](#)
- [Installation Manual](#)

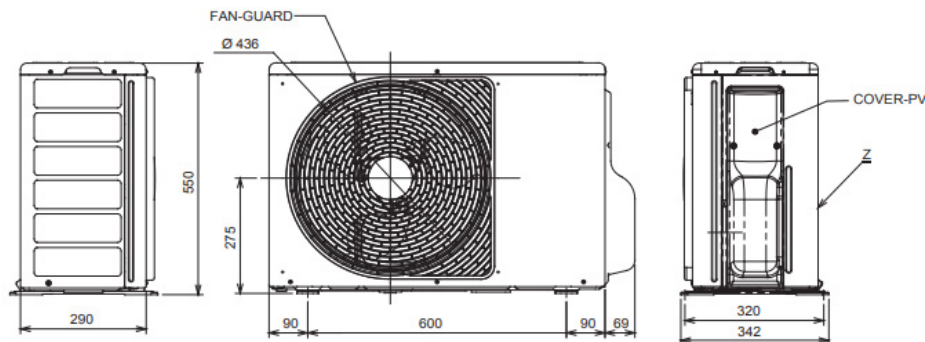


### Related Items - 18J2AVSG-E1:

- [BIM Files](#)
- [Full Specification](#)
- [Dimensional Drawing](#)
- [Wiring Diagram](#)
- [Noise Curve Data](#)
- [Installation Manual](#)



\*All [Accessories / Controls](#)





## MULTI: RAS - 2M10G3AVG-E

- Supports WI-FI control.
- Best in class energy efficiency A++ / A++.
- Dyna Doctor port for easy service connection.
- Supports energy monitoring on compatible indoor units.
- New compact outdoor unit size for 2M10 and 2M14 models.



Retail Price (interactive icons):



UK



ROI



Hi - Res Image



Performance		RAS-	2M10G3AVG-E
Outdoor Unit			
Indoor Units Connected		Min.-Max.	2-2
Capacity Code	2 x Indoor Connection	Min.-Max.	10-20
	3+ Indoor Connection	Min.-Max.	-
Nominal	Cooling Capacity	kW	3.3
	Heating Capacity	kW	4.0
	EER/COP	W/W	4.93 / 4.71
Cooling EN14825	Range Min. - Max.	kW	1.20 - 4.1
	Power Input	kW	0.67
	Pdesign	kW	3.3
	SEER/Energy Efficiency Class		8.6 / A+++
	Seasonal Energy Consumption	kWh/a	169
Heating EN14825	Range Min. - Max.	kW	1.00 - 4.90
	Power Input	kW	0.85
	Pdesign	kW	2.7
	SCOP/Energy Efficiency Class		4.7 / A++
	Seasonal Energy Consumption	kWh/a	805

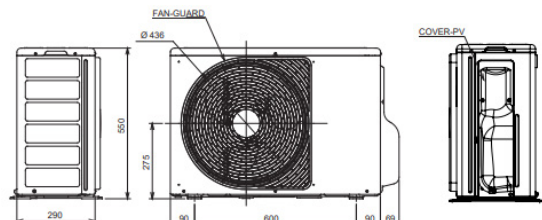
Outdoor Data			
Operating Range	Cooling	°C	-10/46
	Heating		-20/24
Air Flow	High	m3/h - l/s	2100-583
Sound	Pressure High/Low	dB(A)	51/46
	Power High	dB(A)	64
Unit	Height x Width x Depth	mm	550 x 780 x 290
	Weight	kg	31
Pipe Connection	Flare Connections (gas - liquid)	inch	3/8" x 2 - 1/4" x 2
	Min.-Max. Length	m	2-20
	Maximum Pipe Length Per Unit	m	15
	Maximum Height Difference	m	10
Refrigerant R32	Drain Port Connection	mm	16
	Base Charge/Chargeless Length	m	0.8 / 20
	Additional Charge	g/m	0
Run Current	Maximum	Amps	4.90
Power Cable	Outdoor to Indoor		3 core + earth
Power Supply	Suggested Fuse Size	V/ph/Hz-A	220-240/1/50-10

RAS Indoor Model	Cooling kW	Heating kW	SEIYA*	SHORAI EDGE B&W*	HAORI*	DAISEIKAI 10*	CONSOLE*	CASSETTE**	Ducted**	
05	1.5	2.0	✓	✗	✗	✗	✗	✗	✗	
07	2.0	2.7	✓	✗	✗	✗	✗	✗	✓	
10	2.7	4.0	✓	✓	✓	✓	✓	✓	✓	
13	3.7	5.0	✓	✓	✓	✓	✓	✓	✓	
16	4.5	5.5	✓	✓	✓	✗	✗	✓	✓	✓ Available
18	5.0	6.0	✓	✓	✗	✓	✓	✗	✗	
22	6.0	7.0	✗	✓	✗	✗	✗	✗	✓	✗ Not available
24	7.1	8.1	✓	✓	✗	✗	✗	✗	✓	

\*All Accessories / Controls

Related Items:

- [Full Specification](#)
- [Dimensional Drawing](#)
- [Wiring Diagram](#)
- [Combinations](#)
- [Noise Curve Data](#)
- [Installation Manual](#)



## MULTI: RAS - 2M14G3AVG-E

- Supports WI-FI control.
- Best in class energy efficiency A++ / A++.
- Dyna Doctor port for easy service connection.
- Supports energy monitoring on compatible indoor units.
- New compact outdoor unit size for 2M10 and 2M14 models.



Hi - Res Image

Retail Price (interactive icons):



UK



ROI



Performance		RAS-	2M14G3AVG-E
Outdoor Unit			
Indoor Units Connected		Min.-Max.	2-2
Capacity Code	2 x Indoor Connection	Min.-Max.	10-26
	3+ Indoor Connection	Min.-Max.	-
Nominal	Cooling Capacity	kW	4.0
	Heating Capacity	kW	4.4
	EER/COP	W/W	4.71 / 4.89
Cooling EN14825	Range Min. - Max.	kW	1.5 - 4.9
	Power Input	kW	0.85
	Pdesign	kW	4.0
	SEER/Energy Efficiency Class		8.7 / A+++
	Seasonal Energy Consumption	kWh/a	169
Heating EN14825	Range Min. - Max.	kW	1.00 - 5.20
	Power Input	kW	0.90
	Pdesign	kW	3.1
	SCOP/Energy Efficiency Class		4.8 / A++
	Seasonal Energy Consumption	kWh/a	904

Outdoor Data			
Operating Range	Cooling	°C	-10/46
	Heating		-20/24
Air Flow	High	m3/h - l/s	2250-625
Sound	Pressure High/Low	dB(A)	52/46
	Power High	dB(A)	65
Unit	Height x Width x Depth	mm	550 x 780 x 290
	Weight	kg	35
Pipe Connection	Flare Connections (gas - liquid)	inch	3/8" x 2 - 1/4" x 2
	Min.-Max. Length	m	2-30
	Maximum Pipe Length Per Unit	m	20
	Maximum Height Difference	m	10
Refrigerant R32	Drain Port Connection	mm	16
	Base Charge/Chargeless Length	m	0.95 / 30
	Additional Charge	g/m	0
Run Current	Maximum	Amps	5.20
Power Cable	Outdoor to Indoor		3 core + earth
Power Supply	Suggested Fuse Size	V/ph/Hz-A	220-240/1/50-10

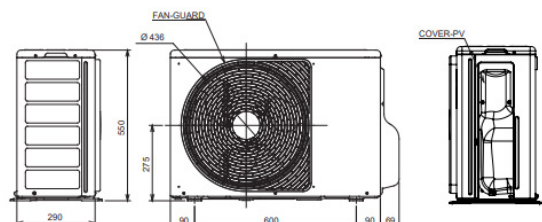
RAS Indoor Model	Cooling kW	Heating kW	SEIYA*	SHORAI EDGE B&W*	HAORI*	DAISEIKAI 10*	CONSOLE*	CASSETTE**	Ducted**
05	1.5	2.0	✓	✗	✗	✗	✗	✗	✗
07	2.0	2.7	✓	✗	✗	✗	✗	✗	✓
10	2.7	4.0	✓	✓	✓	✓	✓	✓	✓
13	3.7	5.0	✓	✓	✓	✓	✓	✓	✓
16	4.5	5.5	✓	✓	✓	✗	✗	✓	✓
18	5.0	6.0	✓	✓	✗	✓	✓	✗	✗
22	6.0	7.0	✗	✓	✗	✗	✗	✗	✓
24	7.1	8.1	✓	✓	✗	✗	✗	✗	✓

✓ Available

✗ Not available

\*All Accessories / Controls  
Related Items:

- [Full Specification](#)
- [Dimensional Drawing](#)
- [Wiring Diagram](#)
- [Combinations](#)
- [Noise Curve Data](#)
- [Installation Manual](#)



## MULTI: RAS - 2M18G3AVG-E

- Supports WI-FI control.
- Best in class energy efficiency A++ / A++.
- Dyna Doctor port for easy service connection.
- Supports energy monitoring on compatible indoor units.
- New compact outdoor unit size for 2M10 and 2M14 models.



Retail Price (interactive icons):



UK



ROI



Hi - Res Image



Performance		RAS-	2M18G3AVG-E
Outdoor Unit			
Indoor Units Connected		Min.-Max.	2-2
Capacity Code	2 x Indoor Connection	Min.-Max.	10-32
	3+ Indoor Connection	Min.-Max.	-
Nominal	Cooling Capacity	kW	5.2
	Heating Capacity	kW	5.6
Cooling EN14825	EER/COP	W/W	4.33 / 4.91
	Range Min. - Max.	kW	1.6 - 6.5
	Power Input	kW	1.20
	Pdesign	kW	5.2
	SEER/Energy Efficiency Class		8.7 / A+++
	Seasonal Energy Consumption	kWh/a	243
Heating EN14825	Range Min. - Max.	kW	1.30 - 8.20
	Power Input	kW	1.14
	Pdesign	kW	3.2
	SCOP/Energy Efficiency Class		4.8 / A++
	Seasonal Energy Consumption	kWh/a	914

Outdoor Data			
Operating Range	Cooling	°C	-10/46
	Heating		-20/24
Air Flow	High	m3/h - l/s	2600-722
Sound	Pressure High/Low	dB(A)	50/44
	Power High	dB(A)	63
Unit	Height x Width x Depth	mm	630 x 800 x 300
	Weight	kg	43
Pipe Connection	Flare Connections (gas - liquid)	inch	3/8" x 2 - 1/4" x 2
	Min.-Max. Length	m	2-30
	Maximum Pipe Length Per Unit	m	20
	Maximum Height Difference	m	10
Refrigerant R32	Drain Port Connection	mm	16
	Base Charge/Chargeless Length	m	1.2 / 30
Run Current	Additional Charge	g/m	0
	Maximum	Amps	8.20
Power Cable	Outdoor to Indoor		3 core + earth
Power Supply	Suggested Fuse Size	V/ph/Hz-A	220-240/1/50-16

RAS Indoor Model	Cooling kW	Heating kW	SEIYA*	SHORAI EDGE B&W*	HAORI*	DAISEIKAI 10*	CONSOLE*	CASSETTE**	Ducted**
05	1.5	2.0	✓	✗	✗	✗	✗	✗	✗
07	2.0	2.7	✓	✗	✗	✗	✗	✗	✓
10	2.7	4.0	✓	✓	✓	✓	✓	✓	✓
13	3.7	5.0	✓	✓	✓	✓	✓	✓	✓
16	4.5	5.5	✓	✓	✓	✗	✗	✓	✓
18	5.0	6.0	✓	✓	✗	✓	✓	✗	✗
22	6.0	7.0	✗	✓	✗	✗	✗	✗	✓
24	7.1	8.1	✓	✓	✗	✗	✗	✗	✓

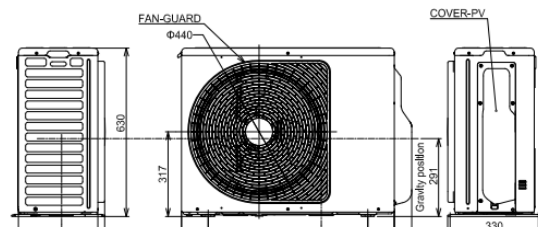
✓ Available

✗ Not available

\*All [Accessories / Controls](#)

Related Items:

- [Full Specification](#)
- [Dimensional Drawing](#)
- [Wiring Diagram](#)
- [Combinations](#)
- [Noise Curve Data](#)
- [Installation Manual](#)



## MULTI: RAS - 3M18G3AVG-E

- Supports WI-FI control.
- Best in class energy efficiency A++ / A++.
- Dyna Doctor port for easy service connection.
- Supports energy monitoring on compatible indoor units.
- New compact outdoor unit size for 2M10 and 2M14 models.



Hi - Res Image

Retail Price (interactive icons):



UK



ROI



Performance		RAS-	3M18G3AVG-E
Outdoor Unit			
Indoor Units Connected		Min.-Max.	2-3
Capacity Code	2 x Indoor Connection	Min.-Max.	10-32
	3+ Indoor Connection	Min.-Max.	10-36
Nominal	Cooling Capacity	kW	5.2
	Heating Capacity	kW	6.8
	EER/COP	W/W	5.2 / 4.69
Cooling EN14825	Range Min. - Max.	kW	2.0 - 7.5
	Power Input	kW	1.00
	Pdesign	kW	5.2
	SEER/Energy Efficiency Class		8.6 / A+++
	Seasonal Energy Consumption	kWh/a	262
	Range Min. - Max.	kW	1.90 - 8.30
Heating EN14825	Power Input	kW	1.45
	Pdesign	kW	3.5
	SCOP/Energy Efficiency Class		4.8 / A++
	Seasonal Energy Consumption	kWh/a	1021
	Range Min. - Max.	kW	1.90 - 8.30

Outdoor Data			
Operating Range	Cooling	°C	-10/46
	Heating		-20/24
Air Flow	High	m3/h - l/s	2800-778
Sound	Pressure High/Low	dB(A)	52/46
	Power High	dB(A)	65
Unit	Height x Width x Depth	mm	630 x 800 x 300
	Weight	kg	44
Pipe Connection	Flare Connections (gas - liquid)	inch	3/8" x 2 + 1/2"x1 - 1/4" x 3
	Min.-Max. Length	m	2-50
	Maximum Pipe Length Per Unit	m	25
	Maximum Height Difference	m	10
	Drain Port Connection	mm	16
Refrigerant R32	Base Charge/Chargeless Length	m	1.25 / 50
	Additional Charge	g/m	20
Run Current	Maximum	Amps	6.98
Power Cable	Outdoor to Indoor		3 core + earth
Power Supply	Suggested Fuse Size	V/ph/Hz-A	220-240/1/50-16

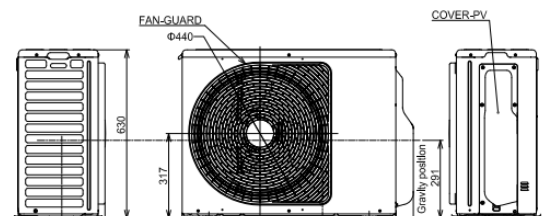
RAS Indoor Model	Cooling kW	Heating kW	SEIYA*	SHORAI EDGE B&W*	HAORI*	DAISEIKAI 10*	CONSOLE*	CASSETTE**	Ducted**
05	1.5	2.0	✓	✗	✗	✗	✗	✗	✗
07	2.0	2.7	✓	✗	✗	✗	✗	✗	✓
10	2.7	4.0	✓	✓	✓	✓	✓	✓	✓
13	3.7	5.0	✓	✓	✓	✓	✓	✓	✓
16	4.5	5.5	✓	✓	✓	✗	✗	✓	✓
18	5.0	6.0	✓	✓	✗	✓	✓	✗	✗
22	6.0	7.0	✗	✓	✗	✗	✗	✗	✓
24	7.1	8.1	✓	✓	✗	✗	✗	✗	✓

✓ Available  
✗ Not available

\*All [Accessories / Controls](#)

Related Items:

- [Full Specification](#)
- [Dimensional Drawing](#)
- [Wiring Diagram](#)
- [Combinations](#)
- [Noise Curve Data](#)
- [Installation Manual](#)



## MULTI: RAS - 3M26G3AVG-E

- Supports WI-FI control.
- Best in class energy efficiency A++ / A++.
- Dyna Doctor port for easy service connection.
- Supports energy monitoring on compatible indoor units.
- New compact outdoor unit size for 2M10 and 2M14 models.



Hi - Res Image

Retail Price (interactive icons):



UK



ROI



Performance		RAS-	3M26G3AVG-E
Outdoor Unit			
Indoor Units Connected		Min.-Max.	2-3
Capacity Code	2 x Indoor Connection	Min.-Max.	10-42
	3+ Indoor Connection	Min.-Max.	10-54
Nominal	Cooling Capacity	kW	7.5
	Heating Capacity	kW	9.0
	EER/COP	W/W	4 / 4.35
Cooling EN14825	Range Min. - Max.	kW	2.0 - 9.0
	Power Input	kW	1.75
	Pdesign	kW	7.5
	SEER/Energy Efficiency Class		8.5 / A+++
	Seasonal Energy Consumption	kWh/a	340
Heating EN14825	Range Min. - Max.	kW	2.0 - 11.5
	Power Input	kW	2.00
	Pdesign	kW	5.2
	SCOP/Energy Efficiency Class		4.6 / A++
	Seasonal Energy Consumption	kWh/a	1583

Outdoor Data			
Operating Range	Cooling	°C	-10/46
	Heating		-20/24
Air Flow	High	m3/h - l/s	3700-1028
Sound	Pressure High/Low	dB(A)	53/45
	Power High	dB(A)	66
Unit	Height x Width x Depth	mm	890 x 900 x 320
	Weight	kg	67
Pipe Connection	Flare Connections (gas - liquid)	inch	3/8" x 1 + 1/2"x2 - 1/4" x 3
	Min.-Max. Length	m	3-70
	Maximum Pipe Length Per Unit	m	25
	Maximum Height Difference	m	15
Refrigerant R32	Drain Port Connection	mm	16
	Base Charge/Chargeless Length	m	1.9 / 40
	Additional Charge	g/m	20
Run Current	Maximum	Amps	9.57
Power Cable	Outdoor to Indoor		3 core + earth
Power Supply	Suggested Fuse Size	V/ph/Hz-A	220-240/1/50-16

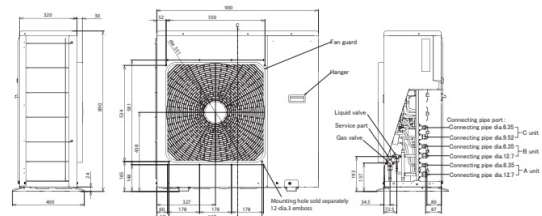
RAS Indoor Model	Cooling kW	Heating kW	SEIYA*	SHORAI EDGE B&W*	HAORI*	DAISEIKAI 10*	CONSOLE*	CASSETTE**	Ducted**
05	1.5	2.0	✓	✗	✗	✗	✗	✗	✗
07	2.0	2.7	✓	✗	✗	✗	✗	✗	✓
10	2.7	4.0	✓	✓	✓	✓	✓	✓	✓
13	3.7	5.0	✓	✓	✓	✓	✓	✓	✓
16	4.5	5.5	✓	✓	✓	✗	✗	✓	✓
18	5.0	6.0	✓	✓	✗	✓	✓	✗	✗
22	6.0	7.0	✗	✓	✗	✗	✗	✗	✓
24	7.1	8.1	✓	✓	✗	✗	✗	✗	✓

✓ Available  
✗ Not available

\*All [Accessories / Controls](#)

Related Items:

- [Full Specification](#)
- [Dimensional Drawing](#)
- [Wiring Diagram](#)
- [Combinations](#)
- [Noise Curve Data](#)
- [Installation Manual](#)



## MULTI: RAS - 4M27G3AVG-E

- Supports WI-FI control.
- Best in class energy efficiency A++ / A++.
- Dyna Doctor port for easy service connection.
- Supports energy monitoring on compatible indoor units.
- New compact outdoor unit size for 2M10 and 2M14 models.



Hi - Res Image

Retail Price (interactive icons):



Performance			
Outdoor Unit		RAS-	4M27G3AVG-E
Indoor Units Connected		Min.-Max.	2-4
Capacity Code	2 x Indoor Connection	Min.-Max.	10-42
	3+ Indoor Connection	Min.-Max.	10-54
Nominal	Cooling Capacity	kW	8.0
	Heating Capacity	kW	9.0
	EER/COP	W/W	4.21 / 4.74
Cooling EN14825	Range Min. - Max.	kW	2.0 - 10.0
	Power Input	kW	1.90
	Pdesign	kW	8.0
	SEER/Energy Efficiency Class		8.3 / A++
	Seasonal Energy Consumption	kWh/a	406
	Range Min. - Max.	kW	2.0 - 12.0
Heating EN14825	Power Input	kW	1.90
	Pdesign	kW	5.2
	SCOP/Energy Efficiency Class		4.5 / A+
	Seasonal Energy Consumption	kWh/a	1617

Outdoor Data			
Operating Range	Cooling	°C	-10/46
	Heating		-20/24
Air Flow	High	m3/h - l/s	3700-1028
Sound	Pressure High/Low	dB(A)	54/45
	Power High	dB(A)	67
Unit	Height x Width x Depth	mm	890 x 900 x 320
	Weight	kg	68
Pipe Connection	Flare Connections (gas - liquid)	inch	3/8" x 2 + 1/2"x2 - 1/4" x 4
	Min.-Max. Length	m	3-70
	Maximum Pipe Length Per Unit	m	25
	Maximum Height Difference	m	15
Refrigerant R32	Drain Port Connection	mm	16
	Base Charge/Chargeless Length	m	2.05 / 40
	Additional Charge	g/m	20
Run Current	Maximum	Amps	9.29
Power Cable	Outdoor to Indoor		3 core + earth
Power Supply	Suggested Fuse Size	V/ph/Hz-A	220-240/1/50-16

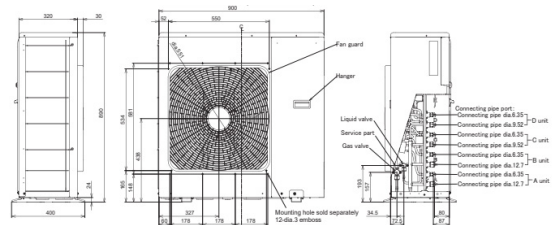
RAS Indoor Model	Cooling kW	Heating kW	SEIYA*	SHORAI EDGE B&W*	HAORI*	DAISEIKAI 10*	CONSOLE*	CASSETTE**	Ducted**
05	1.5	2.0	✓	✗	✗	✗	✗	✗	✗
07	2.0	2.7	✓	✗	✗	✗	✗	✗	✓
10	2.7	4.0	✓	✓	✓	✓	✓	✓	✓
13	3.7	5.0	✓	✓	✓	✓	✓	✓	✓
16	4.5	5.5	✓	✓	✓	✗	✗	✓	✓
18	5.0	6.0	✓	✓	✗	✓	✓	✗	✗
22	6.0	7.0	✗	✓	✗	✗	✗	✗	✓
24	7.1	8.1	✓	✓	✗	✗	✗	✗	✓

✓ Available  
✗ Not available

\*All Accessories / Controls

Related Items:

- [Full Specification](#)
- [Dimensional Drawing](#)
- [Wiring Diagram](#)
- [Combinations](#)
- [Noise Curve Data](#)
- [Installation Manual](#)



## MULTI: RAS - 5M34G3AVG-E

- Supports WI-FI control.
- Best in class energy efficiency A++ / A++.
- Dyna Doctor port for easy service connection.
- Supports energy monitoring on compatible indoor units.
- New compact outdoor unit size for 2M10 and 2M14 models.



Hi - Res Image

Retail Price (interactive icons):



UK



ROI



Performance		RAS-	5M34G3AVG-E
Outdoor Unit			
Indoor Units Connected		Min.-Max.	2-5
Capacity Code	2 x Indoor Connection	Min.-Max.	10-48
	3+ Indoor Connection	Min.-Max.	10-68
Nominal	Cooling Capacity	kW	10.0
	Heating Capacity	kW	12.0
	EER/COP	W/W	3.85 / 4.24
Cooling EN14825	Range Min. - Max.	kW	2.5 - 11.5
	Power Input	kW	2.60
	Pdesign	kW	10.0
	SEER/Energy Efficiency Class		7.2 / A++
	Seasonal Energy Consumption	kWh/a	573
Heating EN14825	Range Min. - Max.	kW	2.2 - 14.2
	Power Input	kW	2.80
	Pdesign	kW	6.8
	SCOP/Energy Efficiency Class		4.3 / A+
	Seasonal Energy Consumption	kWh/a	2213

Outdoor Data			
Operating Range	Cooling	°C	-10/46
	Heating		-20/24
Air Flow	High	m3/h - l/s	4400-1222
Sound	Pressure High/Low	dB(A)	56/47
	Power High	dB(A)	69
Unit	Height x Width x Depth	mm	890 x 900 x 320
	Weight	kg	78
Pipe Connection	Flare Connections (gas - liquid)	inch	3/8" x 3 + 1/2"x2 - 1/4" x 5
	Min.-Max. Length	m	3-80
	Maximum Pipe Length Per Unit	m	25
	Maximum Height Difference	m	15
Refrigerant R32	Drain Port Connection	mm	16
	Base Charge/Chargeless Length	m	2.39 / 40
	Additional Charge	g/m	20
Run Current	Maximum	Amps	12.99
Power Cable	Outdoor to Indoor		3 core + earth
Power Supply	Suggested Fuse Size	V/ph/Hz-A	220-240/1/50-20

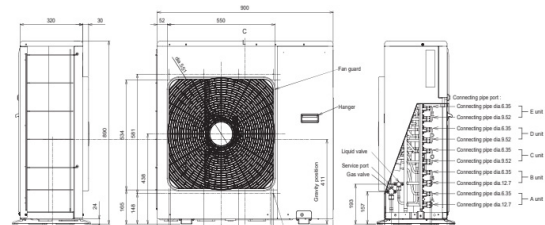
RAS Indoor Model	Cooling kW	Heating kW	SEIYA*	SHORAI EDGE B&W*	HAORI*	DAISEIKAI 10*	CONSOLE*	CASSETTE**	Ducted**
05	1.5	2.0	✓	✗	✗	✗	✗	✗	✗
07	2.0	2.7	✓	✗	✗	✗	✗	✗	✓
10	2.7	4.0	✓	✓	✓	✓	✓	✓	✓
13	3.7	5.0	✓	✓	✓	✓	✓	✓	✓
16	4.5	5.5	✓	✓	✓	✗	✗	✗	✓
18	5.0	6.0	✓	✓	✗	✓	✓	✗	✗
22	6.0	7.0	✗	✓	✗	✗	✗	✗	✓
24	7.1	8.1	✓	✓	✗	✗	✗	✗	✓

✓ Available  
✗ Not available

\*All [Accessories / Controls](#)

Related Items:

- [Full Specification](#)
- [Dimensional Drawing](#)
- [Wiring Diagram](#)
- [Combinations](#)
- [Noise Curve Data](#)
- [Installation Manual](#)



# Multi Compact Cassette





## COMPACT CASSETTE: RAS - M13S4MUVG-E

- Optional Occupancy sensor.
- Optional wired remote controller.
- Optional Wireless remote controller kit.
- Elegant and unobtrusive with modern design.
- Suited for 600x600 grid ceilings thanks to compact and thin chassis.



Retail Price (interactive icons):



UK



ROI



Hi - Res Image



Performance			
Indoor Unit		RAS-	M13S4MUVG-E
Capacity Code			13
Nominal	Cooling Capacity	kW	3.5
	Heating Capacity	kW	4.2
UK	Cooling Total/Sensible	kW	3.42/2.74
	Heating	kW	2.61
Cooling EN14825	Range Min. - Max.	kW	1.71 - 3.70
	Power Input	kW	0.023
Heating EN14825	Range Min. - Max.	kW	2.07 - 5.00
	Power Input	kW	0.023

Indoor Data			
Air Flow	High - Low	l/s	172 - 119
	High - Low	m3/h	620 - 470
Sound	Pressure High - Low	dB(A)	39 - 33
	Power High - Low	dB(A)	52 - 46
Unit	Height x Width x Depth	mm	256 x 575 x 575
	Weight	kg	16
Panel RBC-UM21P-E	Height x Width x Depth	mm	12 x 620 x 620
	Weight	kg	3
Pipe Connection	Flare Connections (gas - liquid)	inch	3/8 - 1/4
	Drain Pipe Connection OD/ID	mm	32/25

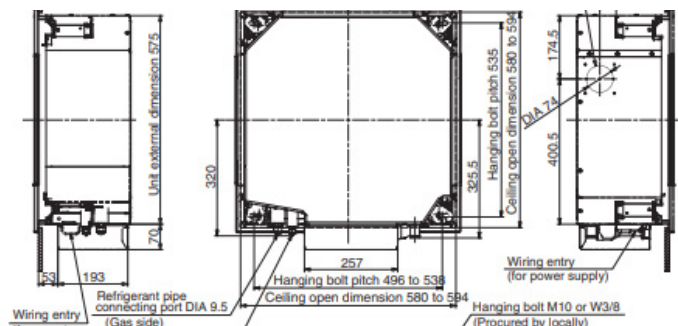
### Accessories

<a href="#">RBC-AXU31UMP-E</a>	Wireless remote controller Kit
<a href="#">RBC-AMSU52-E</a>	Wired Remote Controller
<a href="#">TCB-SIR41UM-E</a>	Occupancy sensor

\*All [Accessories / Controls](#)

### Related Items:

- [BIM Files](#)
- [CAD Files](#)
- [Full Specification](#)
- [Dimensional Drawing](#)
- [Wiring Diagram](#)
- [Airflow/ Fan Curve](#)
- [Noise Curve Data](#)
- [Installation Manual](#)
- [Owners Manual](#)





# Multi Slim Ducted



## DUCTED: RAS - M07U2DVG-E

- Slim design with only 210mm height.
- External static pressure from 10 to 45 Pa.
- Compatible with latest R32 Multi System.
- Inbuilt Condensate drain pump with lift up to 350mm.
- Compliant with European Ecodesign regulation - Lot10.



Retail Price (interactive icons):



UK



ROI



Hi - Res Image



Performance			
Indoor Unit		RAS-	M07U2DVG-E
Capacity Code			7
Nominal	Cooling Capacity	kW	2.0
	Heating Capacity	kW	2.7
UK	Cooling Total/Sensible	kW	1.95/1.57
	Heating	kW	1.60
Cooling EN14825	Range Min. - Max.	kW	1.01 - 2.03
	Power Input	kW	0.048
Heating EN14825	Range Min. - Max.	kW	1.23 - 2.95
	Power Input	kW	0.048

Indoor Data			
Air Flow	High - Low	l/s	158 - 106
	High - Low	m3/h	570 - 380
External Static Pressure	Standard (Upper - Lower)	Pa	10 (10 - 45)
Sound Pressure	High - Low	dB(A)	35 - 27
	High - Low (under inlet)	dB(A)	44 - 30
Sound Power	High - Low	dB(A)	50 - 42
	High - Low (under inlet)	dB(A)	59 - 45
Unit	Height x Width x Depth	mm	210 x 700 x 450
	Weight	kg	16
Pipe Connection	Flare Connections (gas - liquid)	inch	3/8 - 1/4
	Drain Pipe Connection OD/ID	mm	32/25
Remote Controller			WH-TA04NE

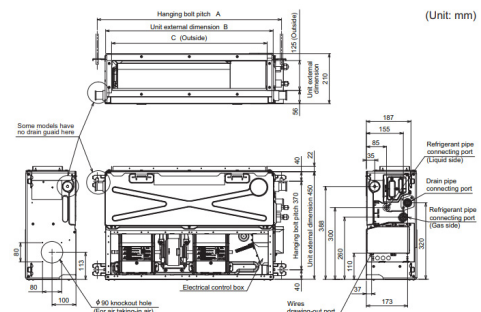
### Accessories

<a href="#">RB-RWS21-E</a>	Wired Remote Controller
----------------------------	-------------------------

\*All [Accessories / Controls](#)

### Related Items:

- [BIM Files](#)
- [CAD Files](#)
- [Full Specification](#)
- [Dimensional Drawing](#)
- [Wiring Diagram](#)
- [Airflow/ Fan Curve](#)
- [Noise Curve Data](#)
- [Installation Manual](#)
- [Owners Manual](#)



## DUCTED: RAS - M10U2DVG-E

- Slim design with only 210mm height.
- External static pressure from 10 to 45 Pa.
- Compatible with latest R32 Multi System.
- Inbuilt Condensate drain pump with lift up to 350mm.
- Compliant with European Ecodesign regulation - Lot10.



Retail Price (interactive icons):




UK



ROI



Hi - Res Image 

Performance			
Indoor Unit		RAS-	M10U2DVG-E
Capacity Code			10
Nominal	Cooling Capacity	kW	2.7
	Heating Capacity	kW	4.0
UK	Cooling Total/Sensible	kW	2.44/1.93
	Heating	kW	2.03
Cooling EN14825	Range Min. - Max.	kW	1.31 - 2.75
	Power Input	kW	0.048
Heating EN14825	Range Min. - Max.	kW	1.73 - 8.10
	Power Input	kW	0.048

Indoor Data			
Air Flow	High - Low	l/s	158 - 106
	High - Low	m3/h	570 - 380
External Static Pressure	Standard (Upper - Lower)	Pa	10 (10 - 45)
Sound Pressure	High - Low	dB(A)	35 - 27
	High - Low (under inlet)	dB(A)	44 - 30
Sound Power	High - Low	dB(A)	50 - 42
	High - Low (under inlet)	dB(A)	59 - 45
Unit	Height x Width x Depth	mm	210 x 700 x 450
	Weight	kg	16
Pipe Connection	Flare Connections (gas - liquid)	inch	3/8 - 1/4
	Drain Pipe Connection OD/ID	mm	32/25
Remote Controller			WH-TA04NE

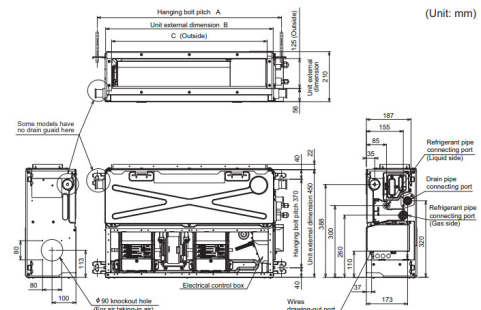
### Accessories

[RB-RWS21-E](#) | Wired Remote Controller

\*All [Accessories / Controls](#)

### Related Items:

- [BIM Files](#)
- [CAD Files](#)
- [Full Specification](#)
- [Dimensional Drawing](#)
- [Wiring Diagram](#)
- [Airflow/ Fan Curve](#)
- [Noise Curve Data](#)
- [Installation Manual](#)
- [Owners Manual](#)





## SLIM DUCTED: RAS - M16U2DVG-E

- Slim design with only 210mm height.
- External static pressure from 10 to 45 Pa.
- Compatible with latest R32 Multi System.
- Inbuilt Condensate drain pump with lift up to 350mm.
- Compliant with European Ecodesign regulation - Lot10.



Retail Price (interactive icons):




UK



ROI



Hi - Res Image 

Performance			
Indoor Unit		RAS-	M16U2DVG-E
Capacity Code			16
Nominal	Cooling Capacity	kW	4.5
	Heating Capacity	kW	5.5
UK	Cooling Total/Sensible	kW	4.49/3.36
	Heating	kW	3.33
Cooling EN14825	Range Min. - Max.	kW	2.13 - 4.50
	Power Input	kW	0.062
Heating EN14825	Range Min. - Max.	kW	2.33 - 5.50
	Power Input	kW	0.062

Indoor Data			
Air Flow	High - Low	l/s	217 - 117
	High - Low	m3/h	780 - 420
External Static Pressure	Standard (Upper - Lower)	Pa	10 (10 - 45)
Sound Pressure	High - Low	dB(A)	35 - 25
	High - Low (under inlet)	dB(A)	44 - 27
Sound Power	High - Low	dB(A)	50 - 40
	High - Low (under inlet)	dB(A)	59 - 42
Unit	Height x Width x Depth	mm	210 x 900 x 450
	Weight	kg	19
Pipe Connection	Flare Connections (gas - liquid)	inch	1/2 - 1/4
	Drain Pipe Connection OD/ID	mm	32/25
Remote Controller			WH-TA04NE

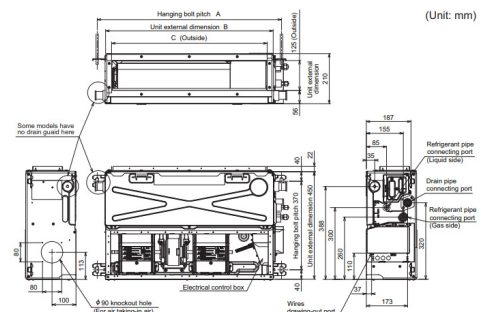
### Accessories

[RB-RWS21-E](#) | Wired Remote Controller

\*All [Accessories / Controls](#)

### Related Items:

- [BIM Files](#)
- [CAD Files](#)
- [Full Specification](#)
- [Dimensional Drawing](#)
- [Wiring Diagram](#)
- [Airflow/ Fan Curve](#)
- [Noise Curve Data](#)
- [Installation Manual](#)
- [Owners Manual](#)



## SLIM DUCTED: RAS - M22U2DVG-E

- Slim design with only 210mm height.
- External static pressure from 10 to 45 Pa.
- Compatible with latest R32 Multi System.
- Inbuilt Condensate drain pump with lift up to 350mm.
- Compliant with European Ecodesign regulation - Lot10.



Retail Price (interactive icons):




UK



ROI



Hi - Res Image 

Performance			
Indoor Unit		RAS-	M22U2DVG-E
Capacity Code			22
Nominal	Cooling Capacity	kW	6.0
	Heating Capacity	kW	7.0
UK	Cooling Total/Sensible	kW	5.96/4.24
	Heating	kW	3.98
Cooling EN14825	Range Min. - Max.	kW	2.93 - 6.00
	Power Input	kW	0.069
Heating EN14825	Range Min. - Max.	kW	3.04 - 7.00
	Power Input	kW	0.069

Indoor Data			
Air Flow	High - Low	l/s	278 - 206
	High - Low	m3/h	1000 - 740
External Static Pressure	Standard (Upper - Lower)	Pa	10 (10 - 45)
Sound Pressure	High - Low	dB(A)	38 - 32
	High - Low (under inlet)	dB(A)	45 - 37
Sound Power	High - Low	dB(A)	53 - 47
	High - Low (under inlet)	dB(A)	60 - 52
Unit	Height x Width x Depth	mm	210 x 1100 x 450
	Weight	kg	22
Pipe Connection	Flare Connections (gas - liquid)	inch	1/2 - 1/4
	Drain Pipe Connection OD/ID	mm	32/25
Remote Controller			WH-TA04NE

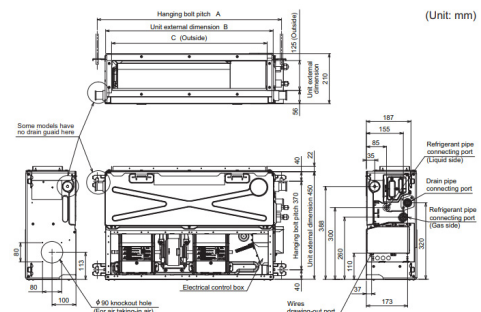
### Accessories

[RB-RWS21-E](#) | Wired Remote Controller

\*All [Accessories / Controls](#)

### Related Items:

- [BIM Files](#)
- [CAD Files](#)
- [Full Specification](#)
- [Dimensional Drawing](#)
- [Wiring Diagram](#)
- [Airflow/ Fan Curve](#)
- [Noise Curve Data](#)
- [Installation Manual](#)
- [Owners Manual](#)



## SLIM DUCTED: RAS - M24U2DVG-E

- Slim design with only 210mm height.
- External static pressure from 10 to 45 Pa.
- Compatible with latest R32 Multi System.
- Inbuilt Condensate drain pump with lift up to 350mm.
- Compliant with European Ecodesign regulation - Lot10.



Retail Price (interactive icons):



UK



ROI



Hi - Res Image



Performance			
Indoor Unit		RAS-	M24U2DVG-E
Capacity Code			24
Nominal	Cooling Capacity	kW	7.1
	Heating Capacity	kW	8.1
UK	Cooling Total/Sensible	kW	6.84/4.71
	Heating	kW	5.27
Cooling EN14825	Range Min. - Max.	kW	3.28 - 7.10
	Power Input	kW	0.076
Heating EN14825	Range Min. - Max.	kW	3.36 - 8.10
	Power Input	kW	0.076

Indoor Data			
Air Flow	High - Low	l/s	294 - 211
	High - Low	m3/h	1060 - 760
External Static Pressure	Standard (Upper - Lower)	Pa	10 (10 - 45)
Sound Pressure	High - Low	dB(A)	39 - 33
	High - Low (under inlet)	dB(A)	46 - 38
Sound Power	High - Low	dB(A)	54 - 48
	High - Low (under inlet)	dB(A)	61 - 53
Unit	Height x Width x Depth	mm	210 x 1100 x 450
	Weight	kg	22
Pipe Connection	Flare Connections (gas - liquid)	inch	1/2 - 1/4
	Drain Pipe Connection OD/ID	mm	32/25
Remote Controller			WH-TA04NE

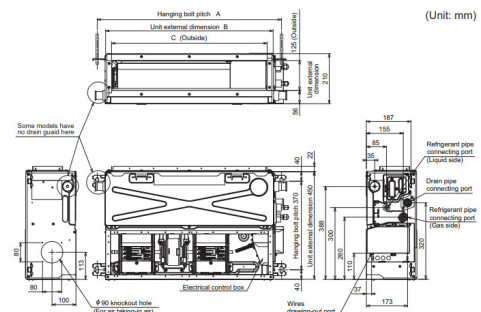
### Accessories

<a href="#">RB-RWS21-E</a>	Wired Remote Controller
----------------------------	-------------------------

\*All [Accessories / Controls](#)

### Related Items:

- [BIM Files](#)
- [CAD Files](#)
- [Full Specification](#)
- [Dimensional Drawing](#)
- [Wiring Diagram](#)
- [Airflow/ Fan Curve](#)
- [Noise Curve Data](#)
- [Installation Manual](#)
- [Owners Manual](#)



## RAS CONTROLS & ACCESSORIES



## CONTROLS






	Image	Model Reference	Application	Description	Related Items
Controls & Sensors		RB-RXS31-E	Multi & Split System	Weekly-timer, IMS combination	<a href="#">Owners Manual</a>
		RB-RXS33-E	Multi & Split System	Weekly-timer, IMS combination	<a href="#">Owners Manual</a>
		RB-RXS34-E	Multi & Split System	Accessory Remote Controller for (SEIYA, SHORAI, CONSOLE, Daiseikai)	<a href="#">Owners Manual</a>
		RB-AX32UM(W)-E	Multi-Cassette	Wireless Remote Controller Kit	<a href="#">Installation Manual</a>
		TCB-SIR41UM-E	Multi-Cassette	Occupancy Sensor	<a href="#">Installation Manual</a>


	Image	Model Reference	Application	Description	Related Items
Wired		RB-RWS21-E	Remote Controller	Hard wired remote controller RAS Ducted	<a href="#">Installation Manual</a>



	Image	Model Reference	Application	Description	Related Items
Wi-Fi Interface		RB-N105S-G	Wi-Fi Connection	Wi-Fi adapter	<a href="#">Installation Manual</a>
		RB-N106S-G		Wi-Fi adapter and cable	<a href="#">Installation Manual</a>


	Image	Model Reference	Application	Description	Related Items
Interface		RBC-IT3-PE	Timer Interface	240v Timer interface for Daiseikai units	<a href="#">Contact Toshiba Technical</a>

	Image	Model Reference	Application	Description	Related Items
Leak Detection		RB-1301-E	Refrigerant Sensor	R32 Refrigerant Leak detection sensor	<a href="#">Installation Manual</a>

### MISCELLANEOUS

	Image	Model Reference	Application	Description
Miscellaneous		818F0036	IAQ Filter (Pair)	RAS (Qty required Indoor width ≤ 800mm x 1; Indoor > 800mm x 2)
		818F0050	Ultra pure filter (Pair)	RAS (Qty required Indoor width ≤ 800mm x 1; Indoor > 800mm x 2)








	Image	Model Reference	Application	Description
Fabric Covers		RB-I4101-E	HAORI	Dark Grey
		RB-I4102-E		Light Grey
		RB-I4103-E		Bluish Grey
		RB-I4104-E		Grey Beige
		RB-I4105-E		Dark Brown
		RB-I4106-E		Emerald Blue

	Image	Model Reference	Application	Description
		CACC-SF	Timer Interface	Single Fan CDU Coil Anti-Corrosion Coating

## DOWNLOAD BROCHURES



# TOSHIBA



## OFFICE LOCATIONS

### Manchester

Carrier Solutions UK Ltd  
Unit 15 S:Park Business Park  
Hamilton Road  
Stockport  
Greater Manchester  
SK1 2AE  
Tel: 0330 236 8630 - opt 2  
[marketing.uk@toshiba-ac.com](mailto:marketing.uk@toshiba-ac.com)

### St Albans

Carrier Solutions UK Ltd  
Unit 7, Riverside Industrial Estate  
Borderlake House  
London Colney  
St Albans  
AL 2 1HG  
Tel: 0330 236 8630 - opt 4  
[marketing.uk@toshiba-ac.com](mailto:marketing.uk@toshiba-ac.com)

### Telford

Viessmann UK  
Hortonwood 30  
Hortonwood Roundabout  
Telford  
Shropshire  
TF1 7YP  
Tel: 0330 236 8630 - opt 5  
[marketing.uk@toshiba-ac.com](mailto:marketing.uk@toshiba-ac.com)

### Plymouth

Carrier Solutions UK Ltd  
Porsham Close  
Belliver Industrial Estate  
Plymouth  
Devon  
PL6 7DB  
Tel: 0330 236 8630 - opt 2  
[marketing.uk@toshiba-ac.com](mailto:marketing.uk@toshiba-ac.com)

## DEPARTMENTAL CONTACT DETAILS

Sales Order Processing  
0330 236 8630 opt 2 - opt 1  
[sales.support@toshiba-ac.com](mailto:sales.support@toshiba-ac.com)

Pre Sales Team  
0330 236 8630 opt 2 - opt 2  
[projects.uk@toshiba-ac.com](mailto:projects.uk@toshiba-ac.com)

Spare Parts  
0330 236 8630 opt 2 - opt 3  
[spares@toshiba-ac.com](mailto:spares@toshiba-ac.com)

Warranty  
0330 236 8630 opt 2 - opt 4  
[warranty@toshiba-ac.com](mailto:warranty@toshiba-ac.com)

Technical Support  
0330 236 8630 opt 2 - opt 5  
[technical.enquiries@toshiba-ac.com](mailto:technical.enquiries@toshiba-ac.com)

Training  
0330 236 8630 opt 2 - opt 6  
[toshiba.training@toshiba-ac.com](mailto:toshiba.training@toshiba-ac.com)

[www.toshiba-aircon.co.uk](http://www.toshiba-aircon.co.uk)