

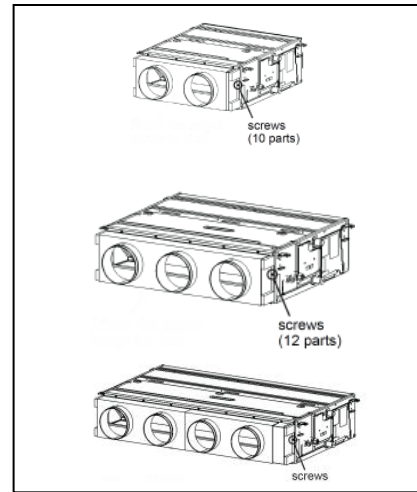
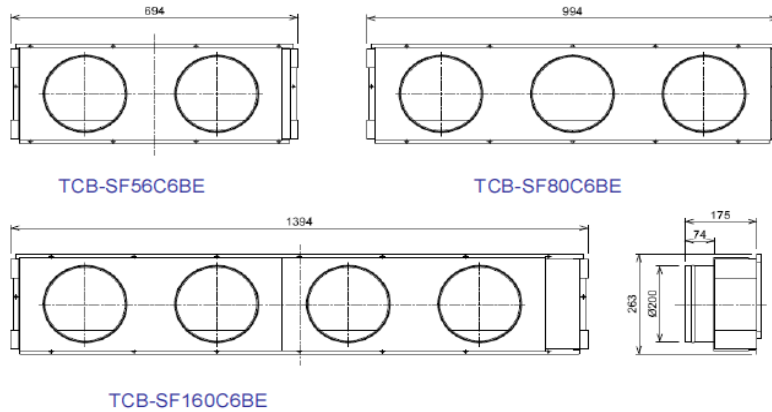
6 Series Concealed Duct Type Unit

- Slimmer Chassis, Old (320mm), New (275mm), provides greater installation options
- Improved air pressure (max 120Pa) with new DC Fan Motor.
- Easier rear or underneath air intake configuration
- Compatible with all VRF systems.
- Ultra low noise level, as low as 23dBA.



Model Name (New Model)	Retail Price £	HP	Capacity (kW) Cooling/Heating	Dimensions (H x W x D)	Spigot Model Number
MMD-AP0076BH-E	700.00	0.8	2.2/2.5	275 x 700 x 750	TCB-SF56C6BE
MMD-AP0096BH-E	710.00	1.0	2.8/3.2		
MMD-AP0126BH-E	760.00	1.25	3.6/4.0		
MMD-AP0156BH-E	790.00	1.7	4.5/5.0		
MMD-AP0186BH-E	900.00	2.0	5.6/6.3		
MMD-AP0246BH-E	940.00	2.5	7.1/8.0	275 x 1000 x 750	TCB-SF80C6BE
MMD-AP0276BH-E	1010.00	3.0	8.0/9.0		
MMD-AP0306BH-E	1080.00	3.2	9.0/10.0		
MMD-AP0366BH-E	1235.00	4.0	11.2/12.5	275 x 1400 x 750	TCB-SF160C6BE
MMD-AP0486BH-E	1320.00	5.0	14.0/16.0		
MMD-AP0566BH-E	1445.00	6.0	16.0/18.0		

* External dimensions



Concealed Duct Type (6 series)(50Hz)



Model name	MMD-	AP0076 BH-E	AP0096 BH-E	AP0126 BH-E	AP0156 BH-E	AP0186 BH-E	AP0246 BH-E	AP0276 BH-E	AP0306 BH-E	AP0366 BH-E	AP0486 BH-E	AP0566 BH-E	
Cooling/Heating capacity (Note 1)	(kW)	2.2/2.5	2.8/3.2	3.6/4.0	4.5/5.0	5.6/6.3	7.1/8.0	8.0/9.0	9.0/10.0	11.2/12.5	14.0/16.0	16.0/18.0	
Electrical characteristics	Power supply	1 phase 50Hz 230V(220V-240V) (Separate power supply for indoor unit is required.)											
	Running current (A)	0.26	0.29		0.42		0.52	0.61	1.07		1.23		
	Power consumption (kW)	0.038	0.043		0.062		0.077	0.094	0.172		0.198		
	Starting current (A)	0.45	0.50		0.73		0.90	1.06	1.85		2.13		
Appearance		Zinc hot dipping steel plate											
Dimension	Height (mm)	275											
	Width (mm)	700				1000				1400			
	Depth (mm)	750											
Total weight (kg)		23				30				40			
Heat exchanger		Finned tube											
Soundproof / Heat-insulating material		Polyethylene foam											
Fan unit	Fan	Centrifugal fan											
	Standard air flow (Med./Low) (m ³ /h)	540 (420/330)	570 (450/330)	800 (630/480)	1,200 (930/720)	1,260 (960/720)	1,920 (1,500/1,140)	2100 (1,650/1,260)					
	Motor output (W)	150						250					
	External static pressure (factory setting) (Pa)	30				40				50			
	External static pressure (Pa)	30 - 40 - 50 - 65 - 80 - 100 - 120 (7steps)											
Air filter		Standard filter (Long life filter)											
Controller		Remote controller											
Connecting pipe	Gas side (mm)	ø 9.5				ø 12.7				ø 15.9			
	Liquid side (mm)	ø 6.4								ø 9.5			
	Drain port (mm)	25 (Polyvinyl chloride tube)											
Sound pressure level (Note 2) (High/Med./Low) (dB(A))		29/26/23	30/26/23	33/29/25	36/31/27				40/36/33				

Note 1: The cooling capacities and electrical characteristics are measured under the conditions specified by JIS B 8615 based on the reference piping. The reference piping consists of 5 m of main piping and 2.5 m of branch piping connected with 0 meter height.

Note 2: The sound levels are measured in an anechoic chamber in accordance with JIS B8616. Normally, the values measured in the actual operating environment become larger than the indicated values due to the effects of external sound.

Note: Rated conditions Cooling : Indoor air temperature 27°C DB/19°C WB, Outdoor air temperature 35°C DB
Heating : Indoor air temperature 20°C DB, Outdoor air temperature 7°C DB/6°C WB

For further information please contact our customer support team on 0870 843 0333, your local representative, or your supplier of **TOSHIBA** products, or email any enquiries to general.enquiries@toshiba-ac.com