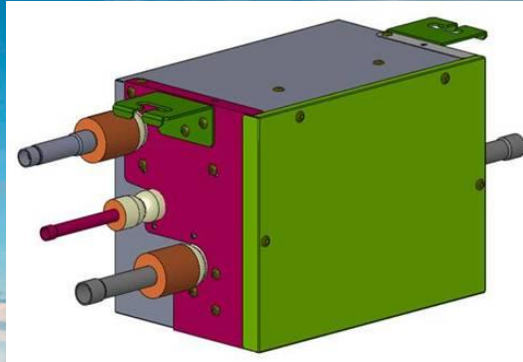


## Brazed Joint Flow Selector

**TOSHIBA** are pleased to announce the Brazed Joint Flow Selector.



**RBM-Y1123FE - RBM-Y1803FE - RBM-Y2803FE**

- Small compact design
- Light Weight
- Easy access for service
- Quiet operation
- Flexible installation
- NO separate power supply required
- Communication and power supplied from indoor unit
- Connect up to 8 indoor units

The Toshiba SHRM VRF flow selector unit allows our 3 pipe heat recovery systems to produce simultaneous heating and cooling in a single refrigerant circuit.

<b>TOSHIBA</b> Model Number	2012 Retail Price
RBM-Y1123FE	£485
RBM-Y1803FE	£540
RBM-Y2803FE	£845

RBM-Y1123FE / Y1803FE: 190mmHx250mmWx160mmD

RBM-Y2803FE: 200mmhx398mmWx199mmD

Expected schedule: TBC