

## PRODUCT UPDATE 2011 RBC-RD3-PE

Toshiba Air Conditioning are pleased to introduce a new product into our current range of accessories.



### The RBC-RD3-PE Refrigerant Leak Detector

The RBC-RD3-PE has the following benefits and key features.

- Visual and Audible indication.
- Power derived from indoor unit.
- Fault codes displayed on local / central controllers
- Mounts over a standard 47mm deep single recessed socket box



### Brief Summary of Specification.

Model Number.	RBC-RD3-PE
Size (Height x Width x Depth mm)	85 x 85 x 32
Available Date.	4 weeks from receipt of order
Retail Price each ex VAT.	£375



Product Update C711-1102 1 of 3 17/02/2011

For further details, please contact TCUK Customer Services on 0870 8430333 or your local sales representative.

The manufacturer reserves the right to change the product specifications and information without notice.

## Description

The leak detector is designed to shut down the air-conditioner in the event of a discharge of refrigerant into the detected space. In the event of the leak detector operating there is visual and audible indication. The visual indication is via a flashing LED and the audible indication is via buzzer.

The leak detector derives its power from the indoor unit PCB and in the event of a leak the indoor unit will stop and a L30 fault code will be generated. This fault code will be displayed on the local remote controller and the network based controls connected.

The wiring lead that is supplied includes the additional functionality for indoor unit remote ON/OFF and locking. This is ideal for integrating into a hotel room key card application.

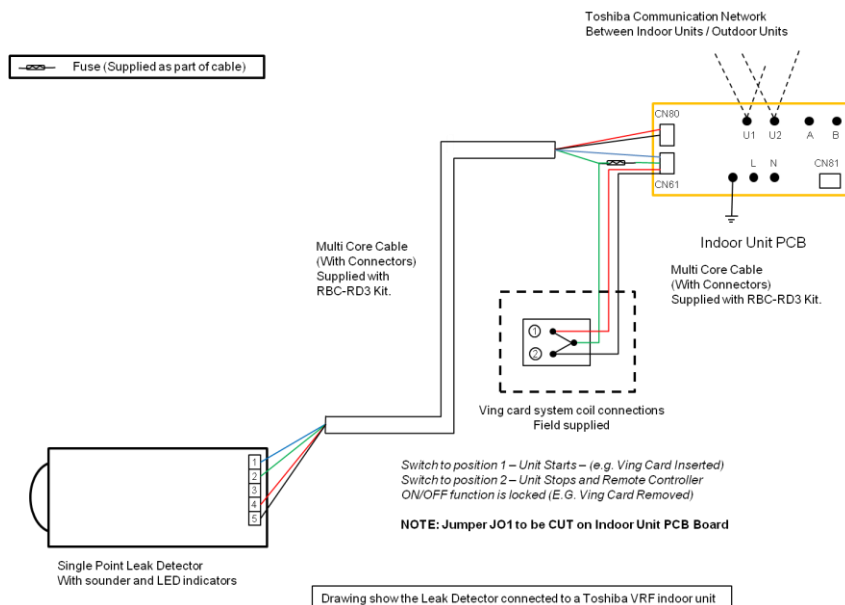
## Application

The unit is designed to fit on the surface or over a standard single socket recessed box. The unit should be mounted 150 - 200mm from the floor level.

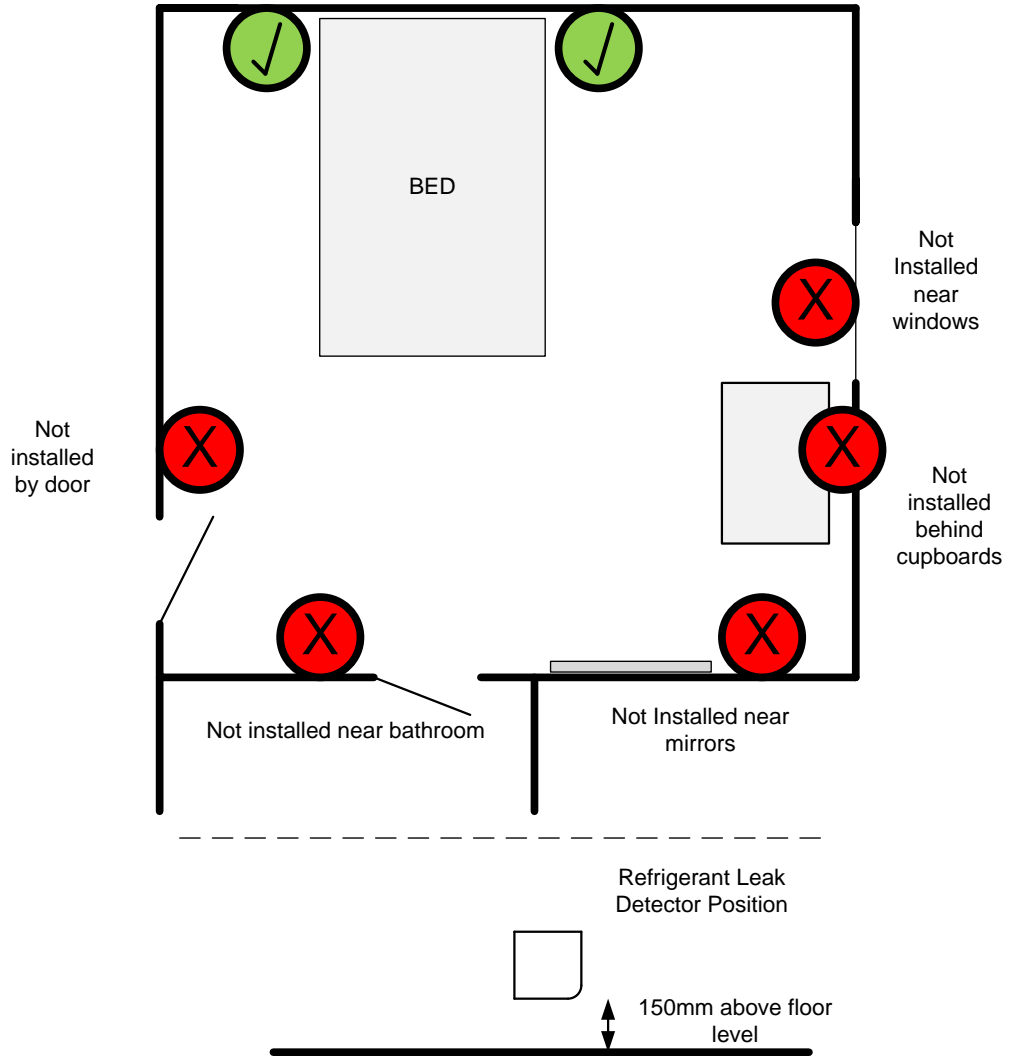
## Limitations

The unit is to be mounted a maximum of 10m from the indoor Unit.

## Diagram



## Sensor Locations



Product Update C711-1102 3 of 3 17/02/2011

For further details, please contact TCUK Customer Services on 0870 8430333 or your local sales representative.

The manufacturer reserves the right to change the product specifications and information without notice.